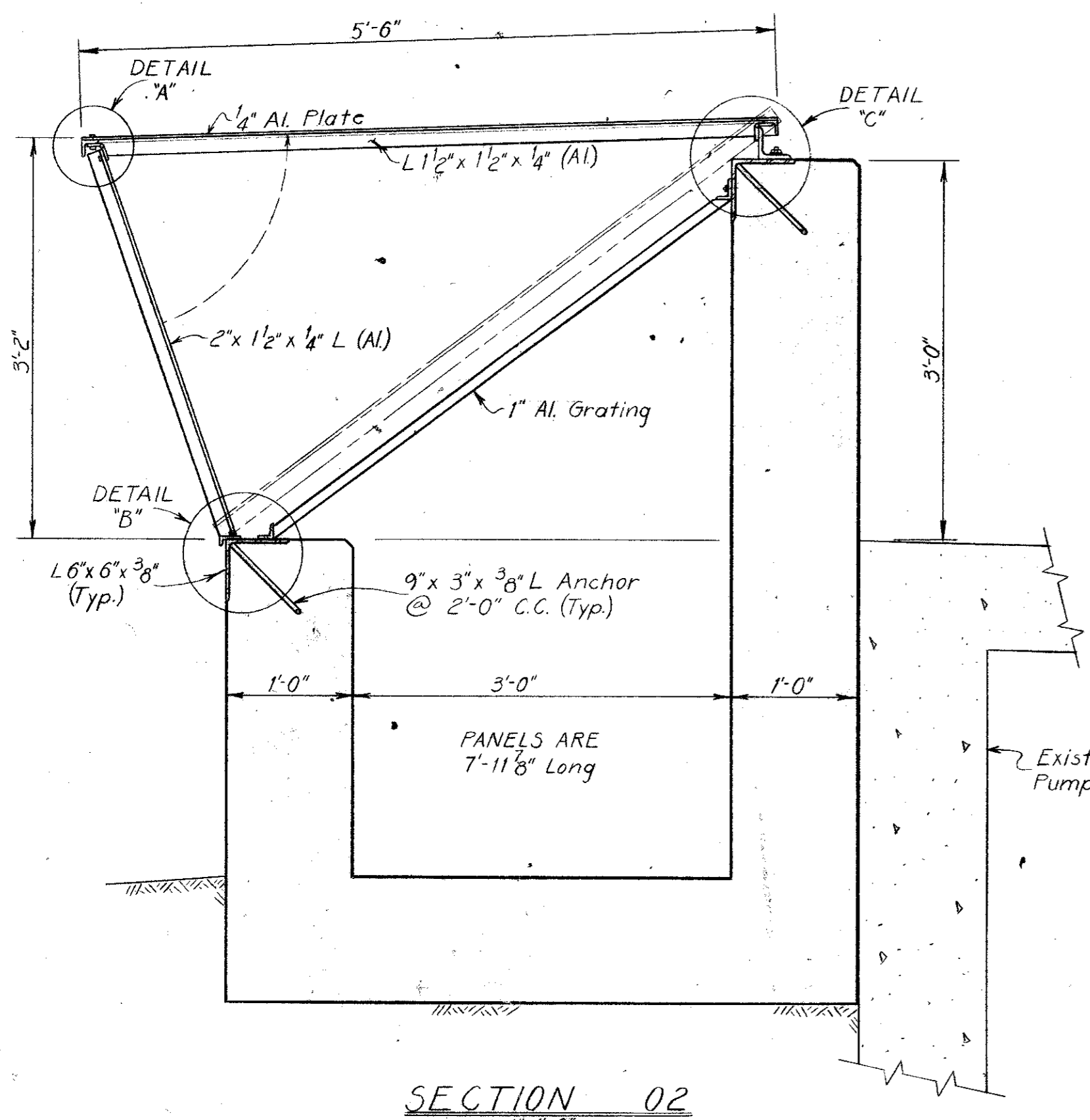
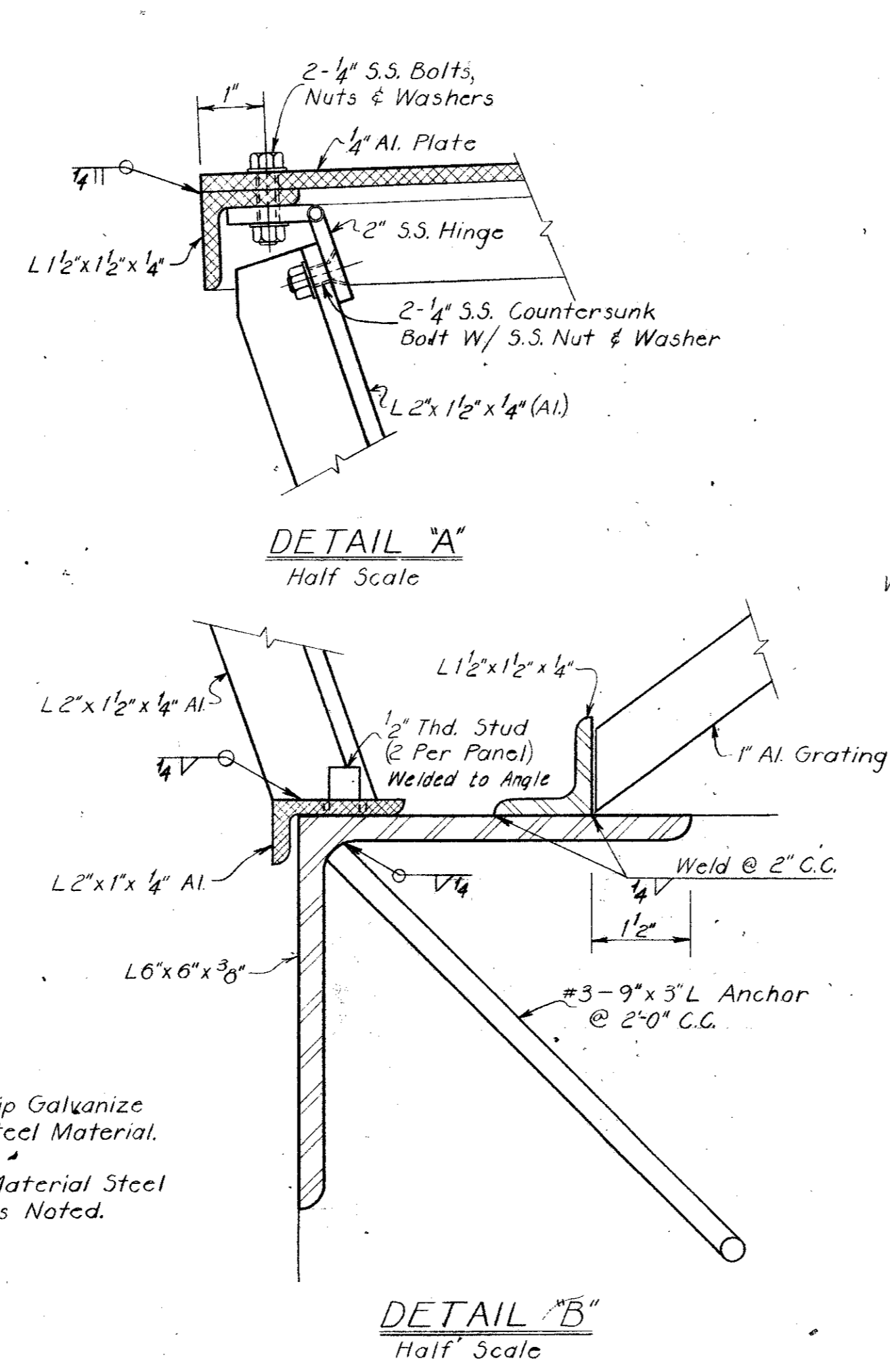


NOTE: Bottom Panels of Roof Hatches #1 through #7 have been removed and are stored on this job site. Reinstall Existing Bottom Panels.

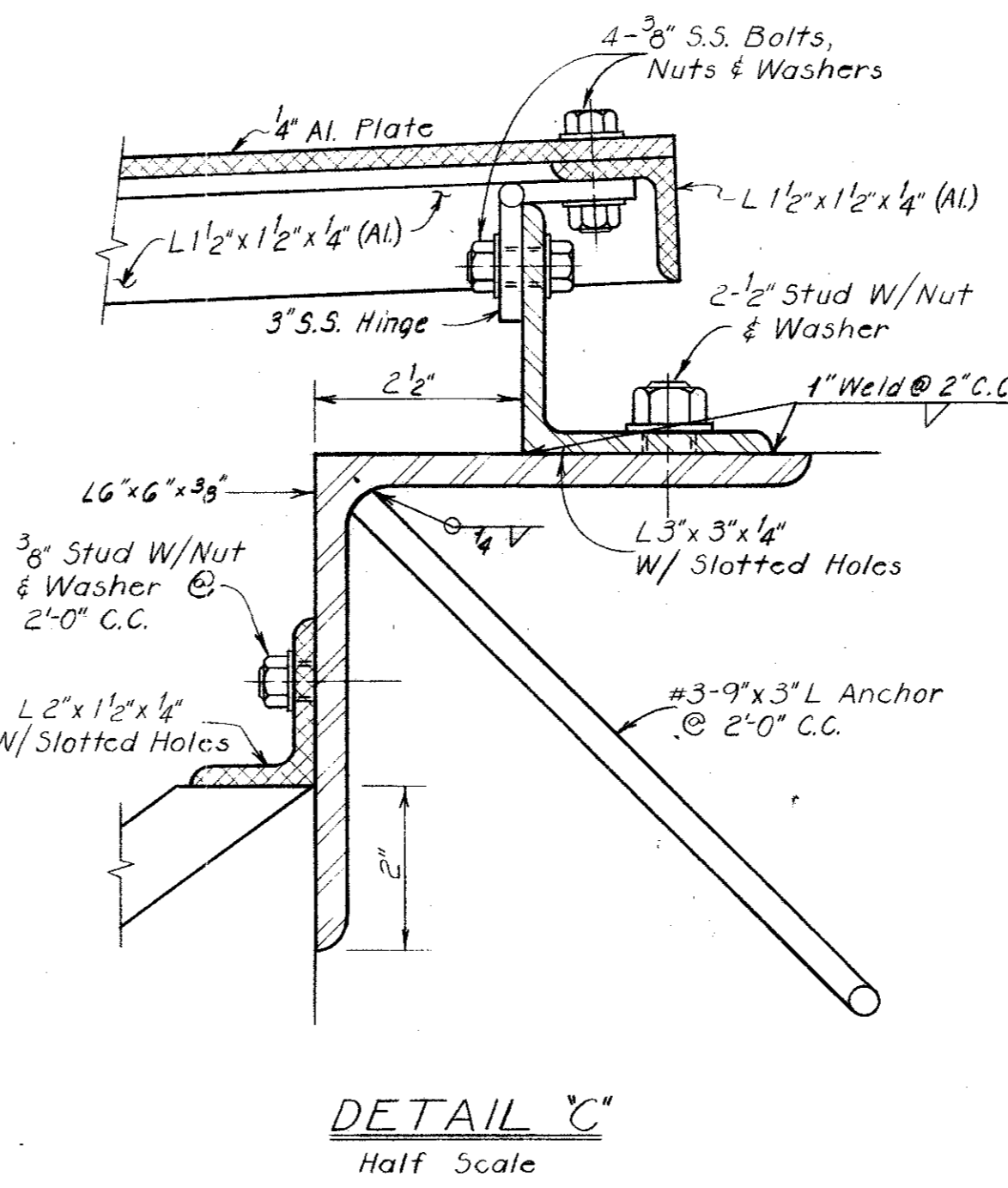
PUMP STATION ROOF PLAN
1/4" = 1'-0"



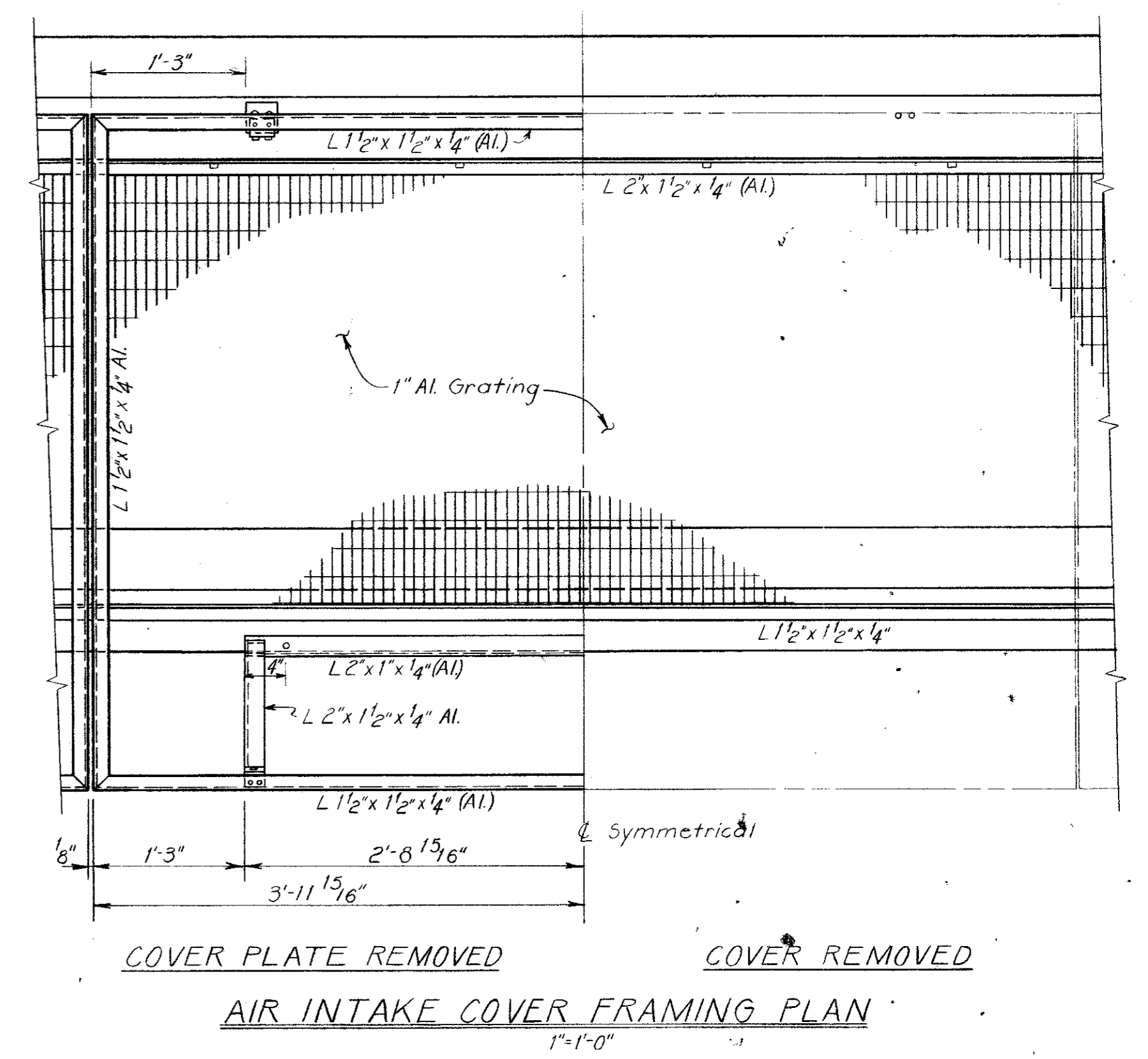
SECTION 02
1" = 1'-0"



NOTES:
1. Hot Dip Galvanize All Steel Material.
2. All Material Steel Unless Noted.



DETAIL C
Half Scale



COVER PLATE REMOVED
AIR INTAKE COVER FRAMING PLAN
1" = 1'-0"

DATE	REVISION	BY
PUMP ROOM ROOF PLAN AND AIR INTAKE DETAILS		
PUMPS 1A & 2A		
BELTWOOD PUMP STATION		
DALLAS WATER UTILITIES		
CITY OF DALLAS, TEXAS		
DESIGN	E.H.H.	CONTRACT NO. 81-7
DRAWN	R.M.E., W.E.M.	FILE NO. 640Q-700 B
TRACED		SHEET NO. 10
CHECKED		DATE DEC. 80
DATE		20

