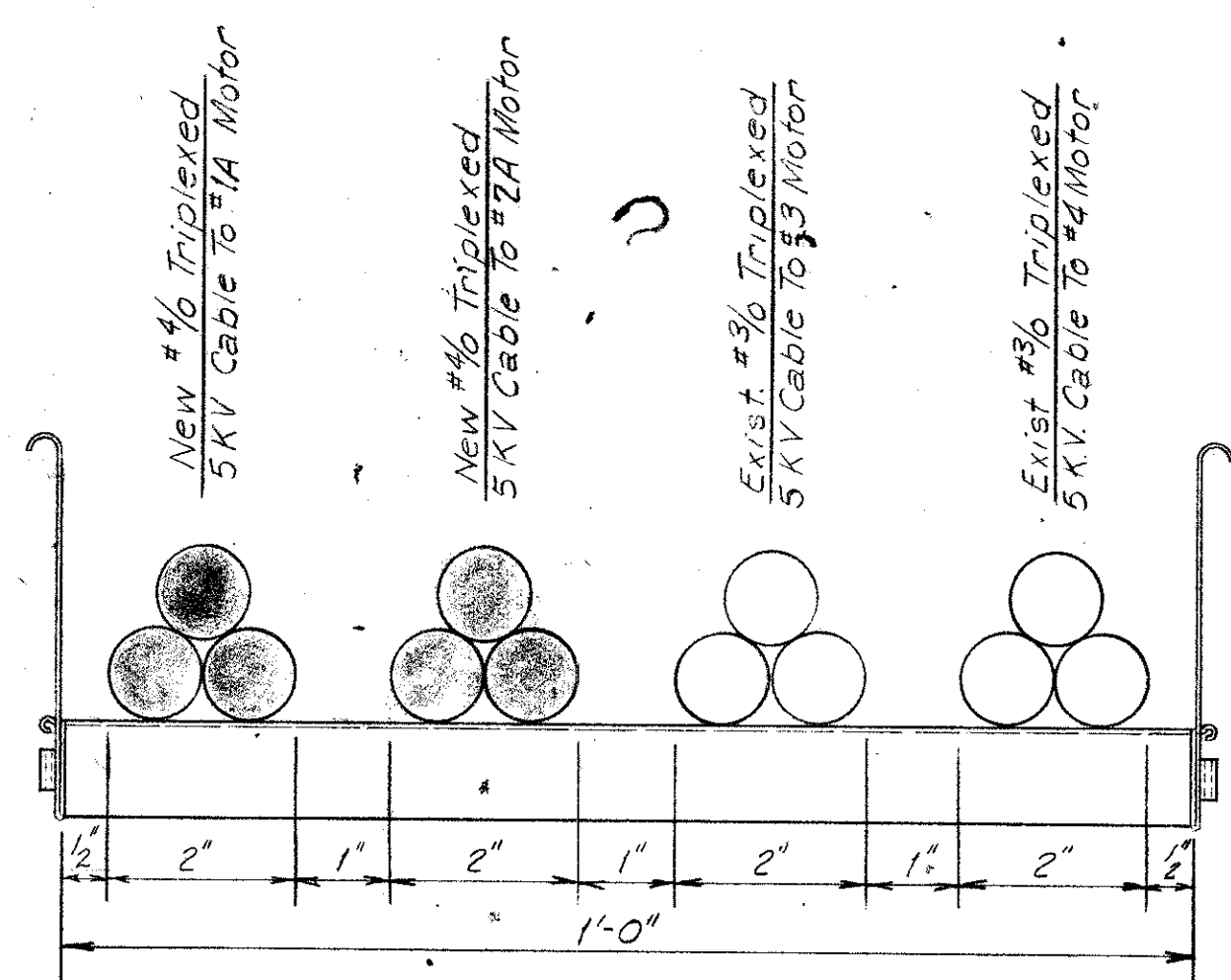
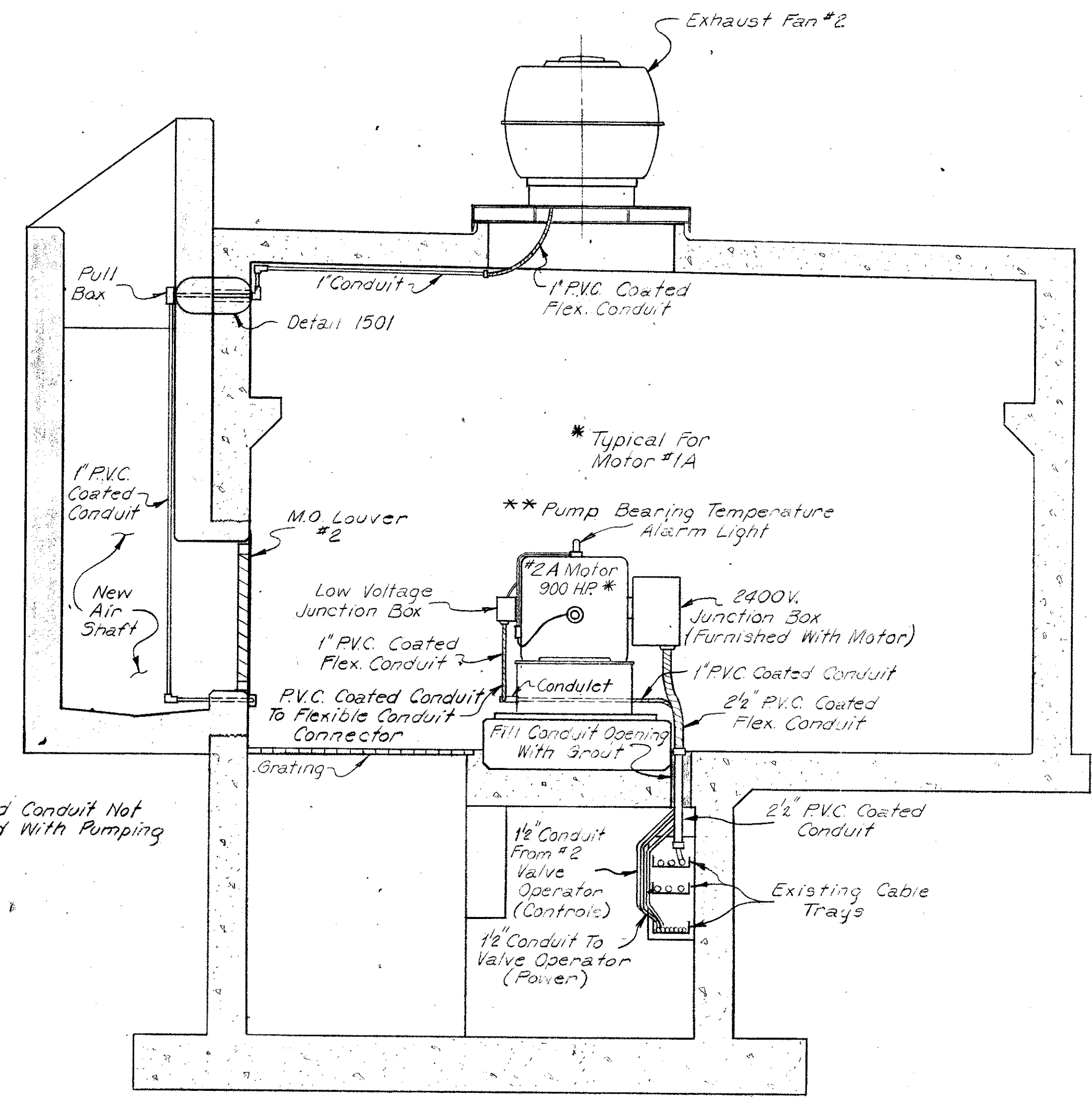


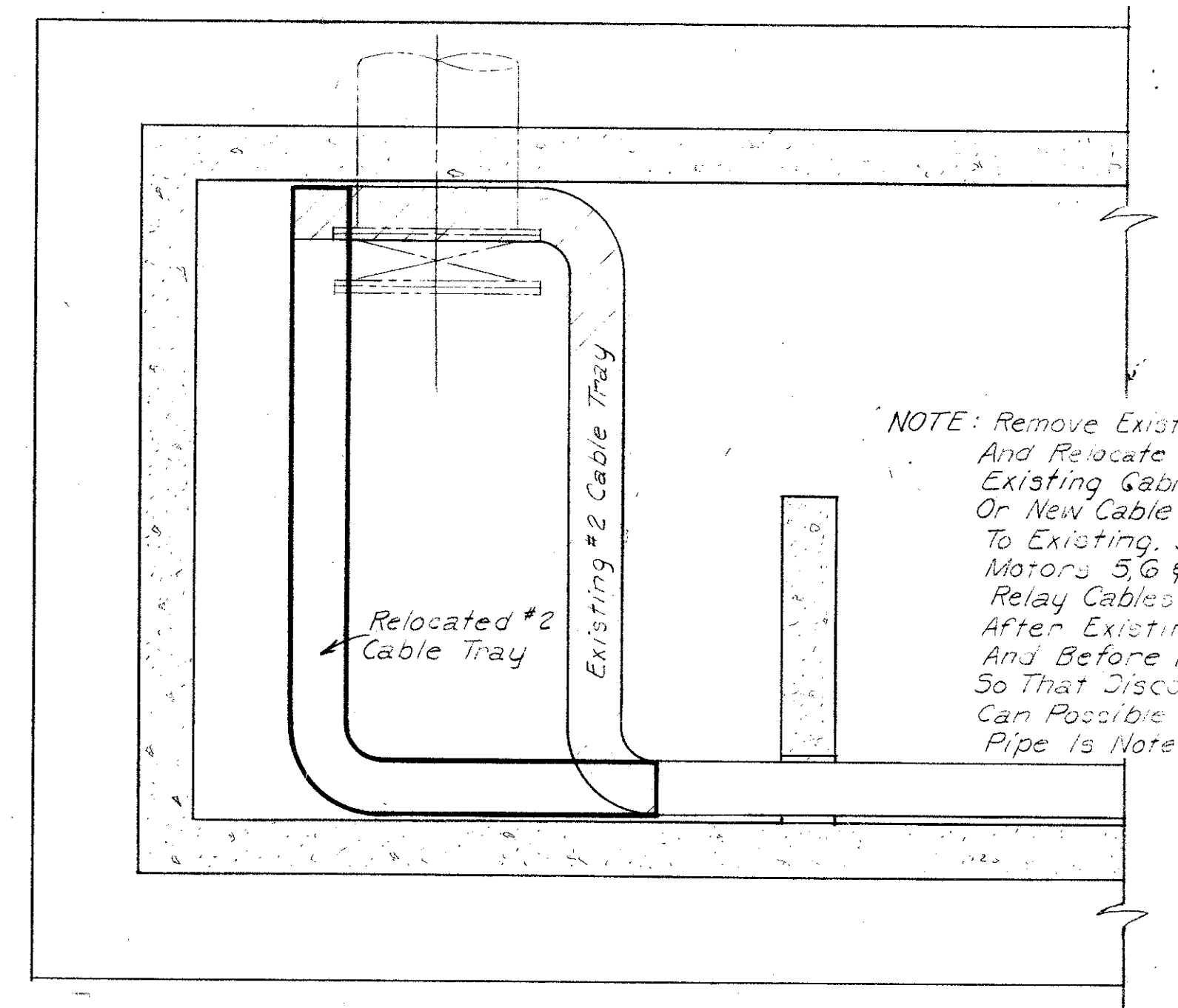
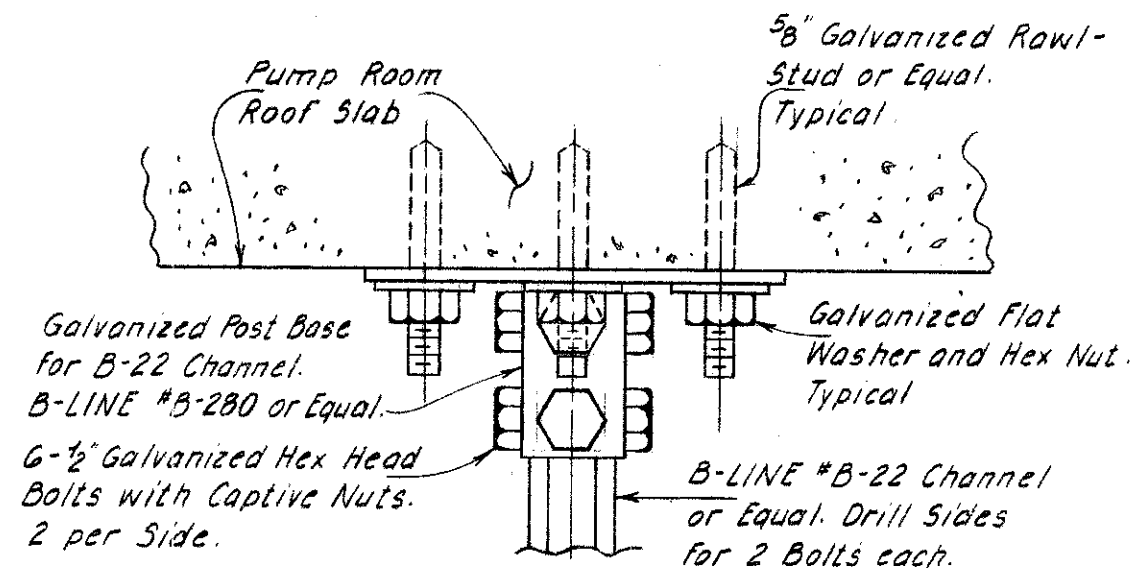
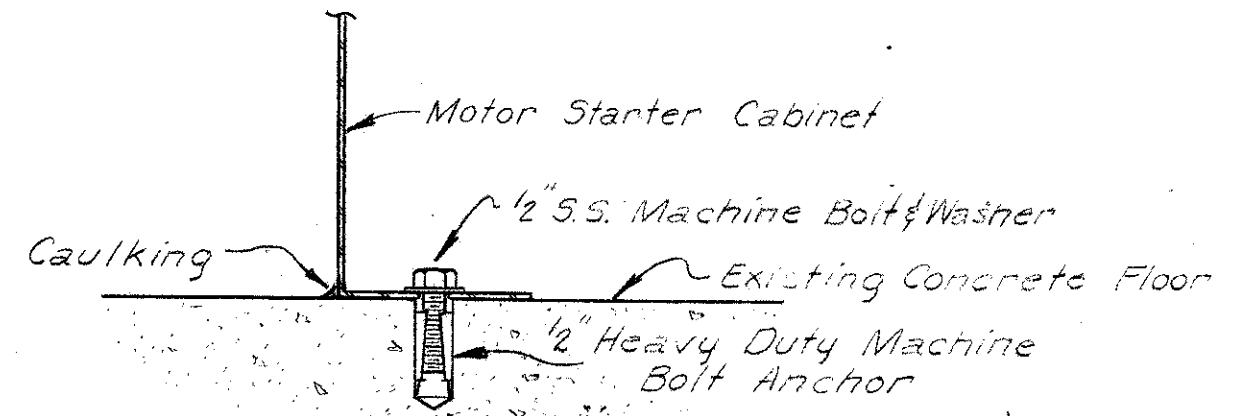
TYPICAL PUMPING UNIT DETAIL
3/8" = 1'-0"



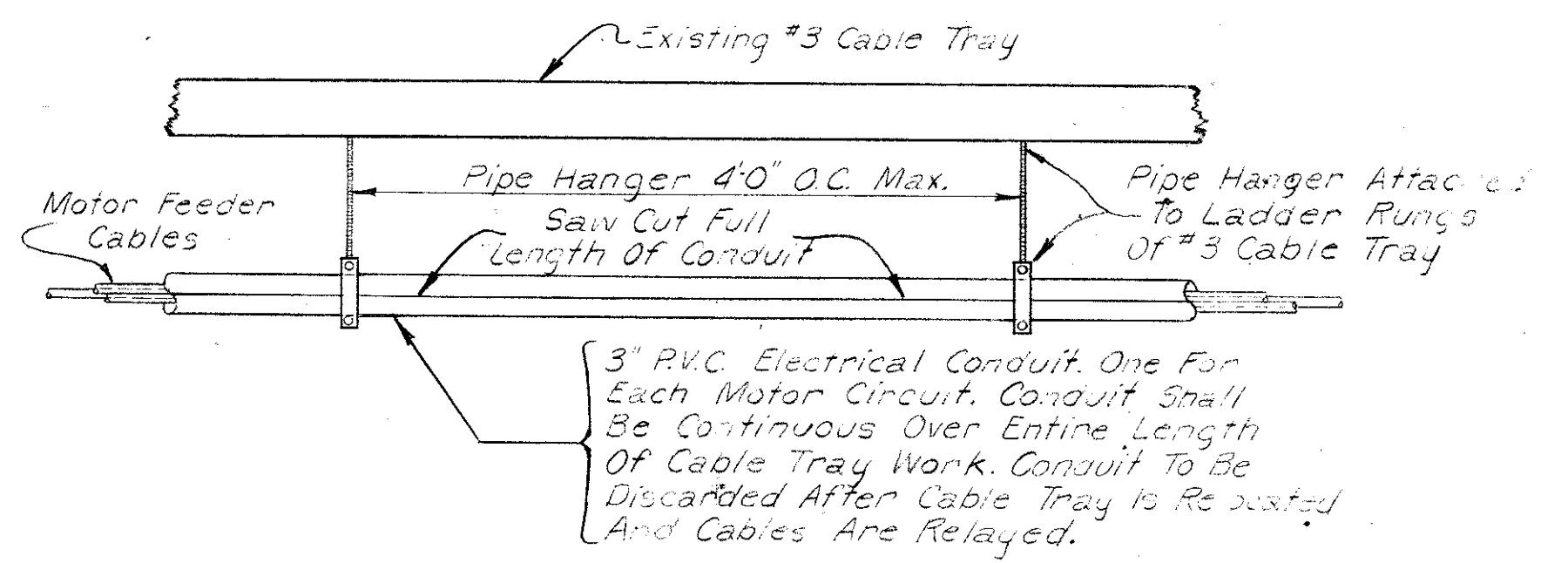
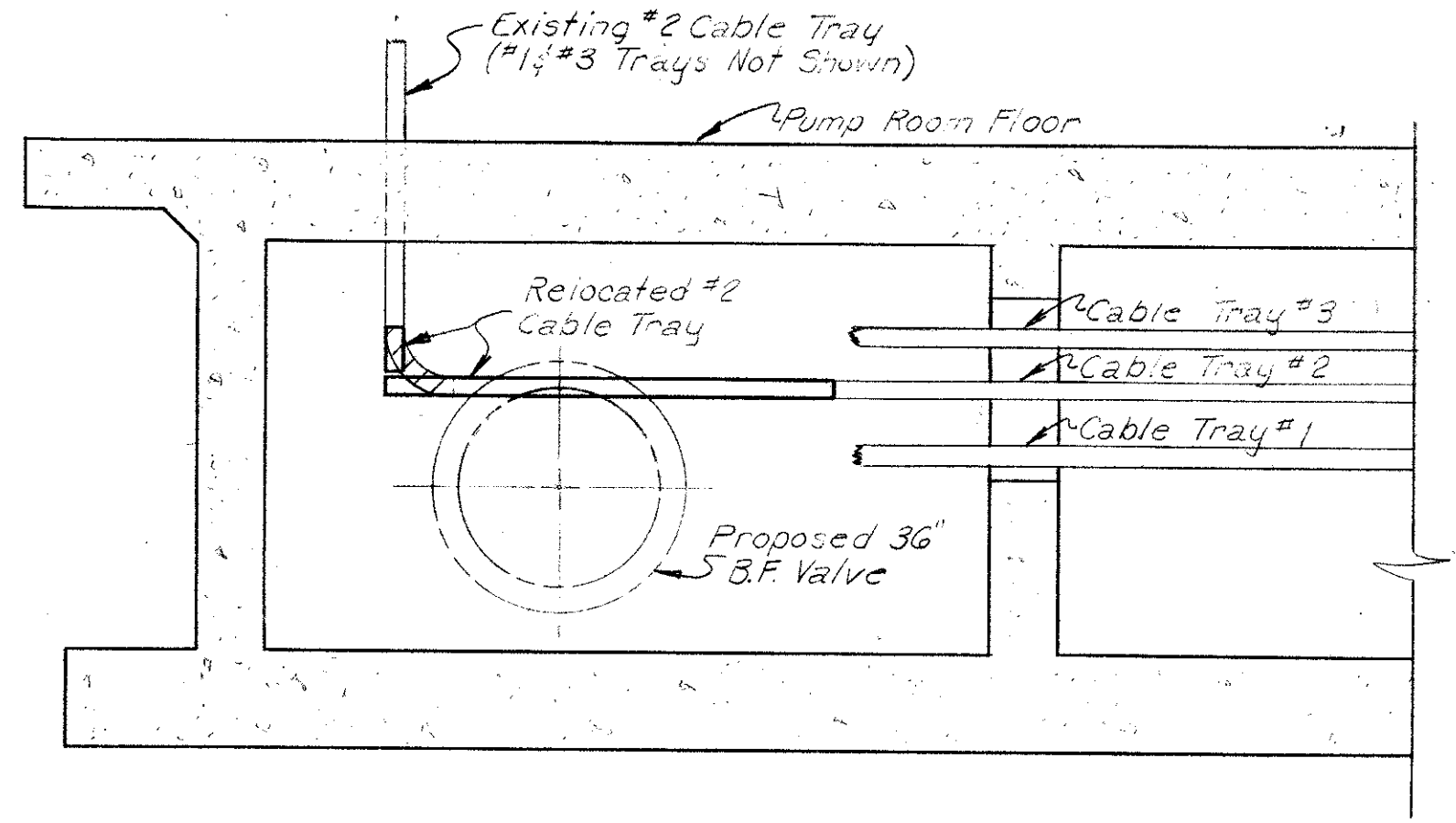
EXISTING 12" CABLE TRAY (#3)
(SECTION 1602)
HALF SCALE



** Light And Conduit Not Furnished With Pumping Units.



NOTE: Remove Existing Cable Tray - Marked And Relocate Cable Tray As Shown. Reuse Existing Cable Tray Where Possible And/ Or New Cable Tray Equal In Style And Size To Existing. Support Existing Cables To Motors #5, #6 & #7 While Working On Tray. Relay Cables In Tray. Work To Be Performed After Existing Suction Pipe Is Removed And Before New Suction Pipe Is Installed So That Disconnecting Of Cables At Motors Can Possibly Be Avoided. Pump #1 Suction Pipe Is Not Shown.



DATE	REVISION	BY
ELECTRICAL SECTIONS & DETAILS		
PUMPS 1A & 2A BELTWOOD PUMP STATION		
DALLAS WATER UTILITIES CITY OF DALLAS, TEXAS		



DESIGN	ACP	CONTRACT NO.	81-7	SHEET NO.	16
DRAWN	WLT	FILE NO.			
TRACED					
CHECKED					
DATE			640Q-700B		20