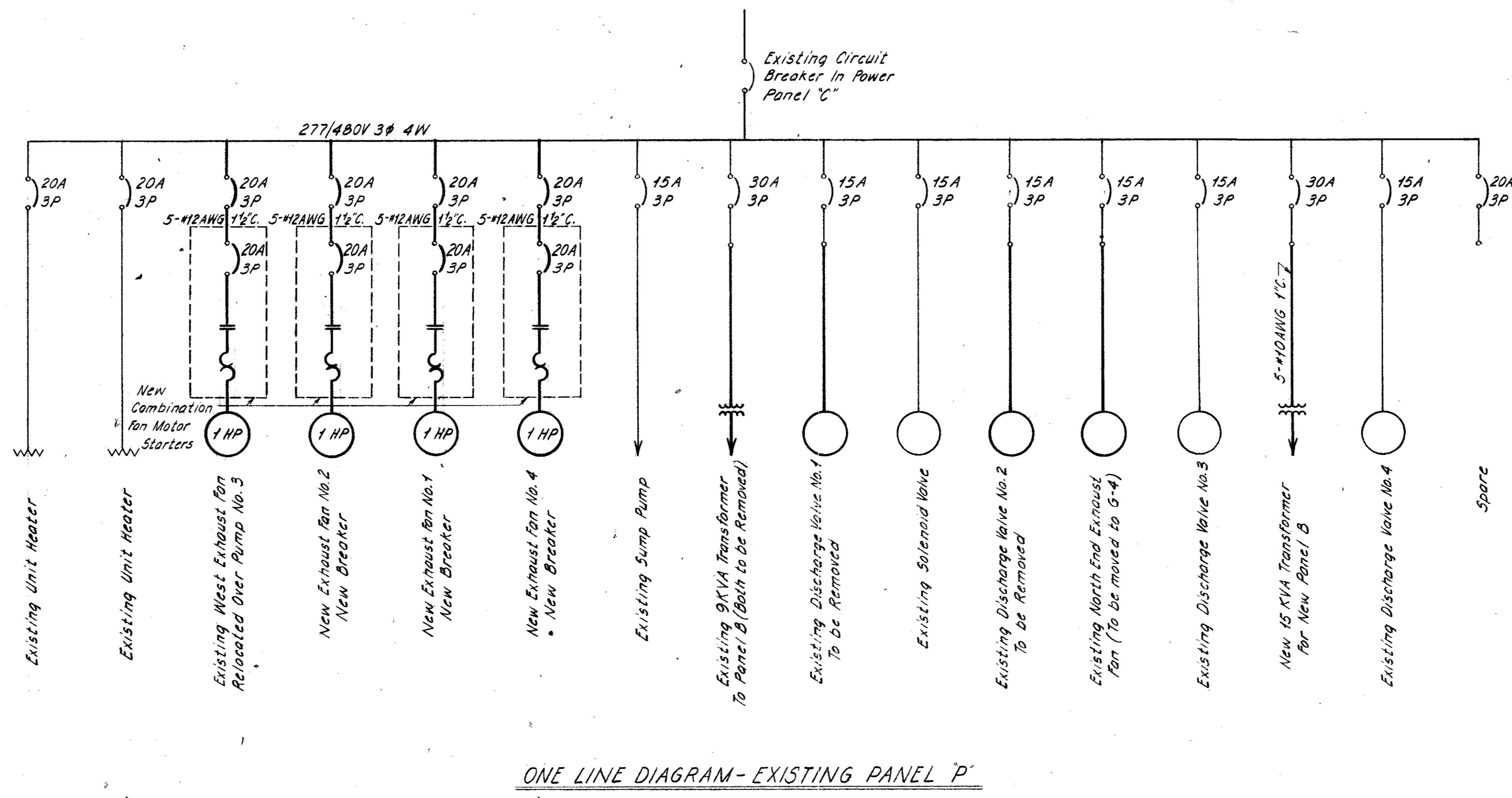
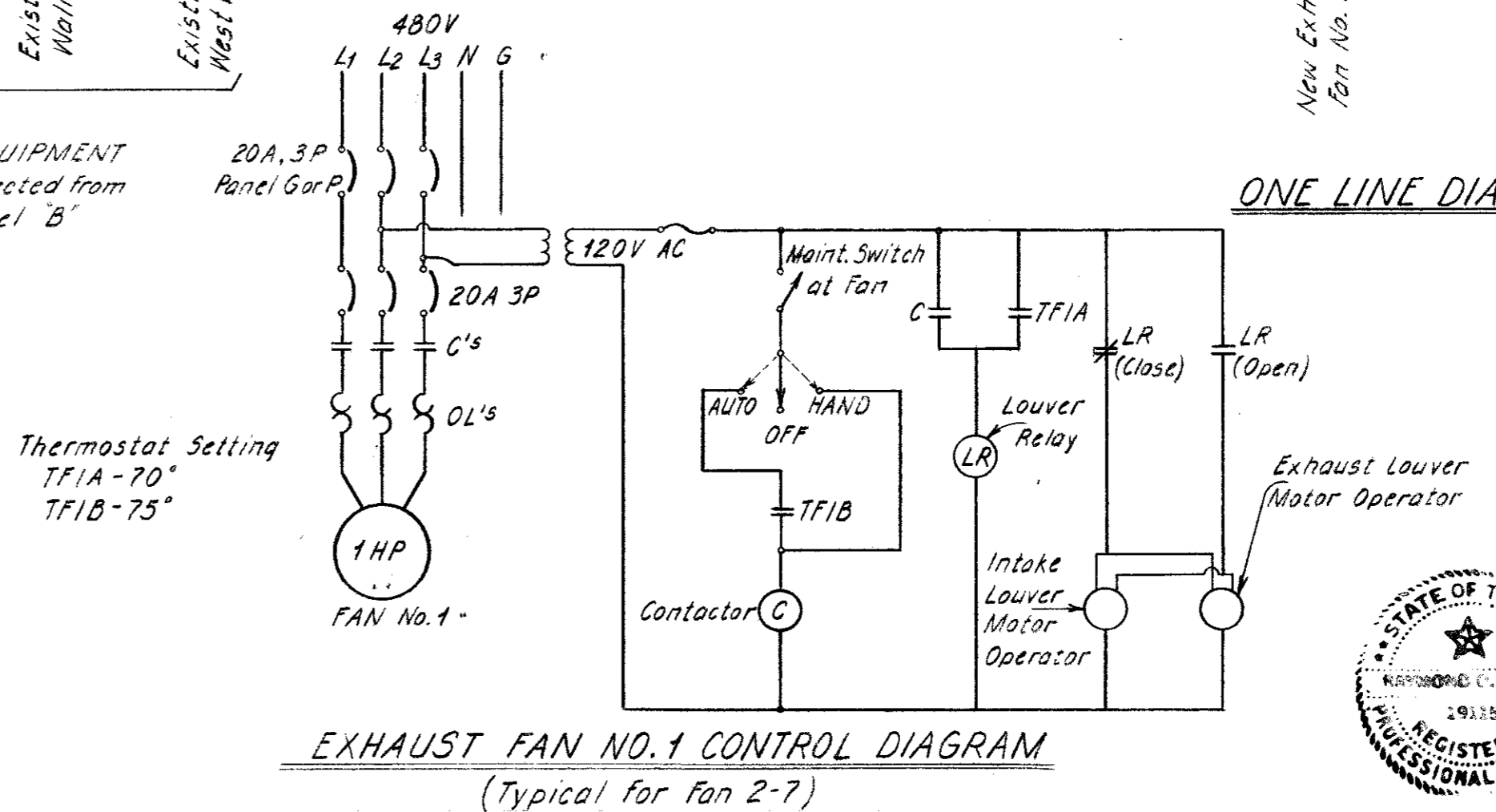
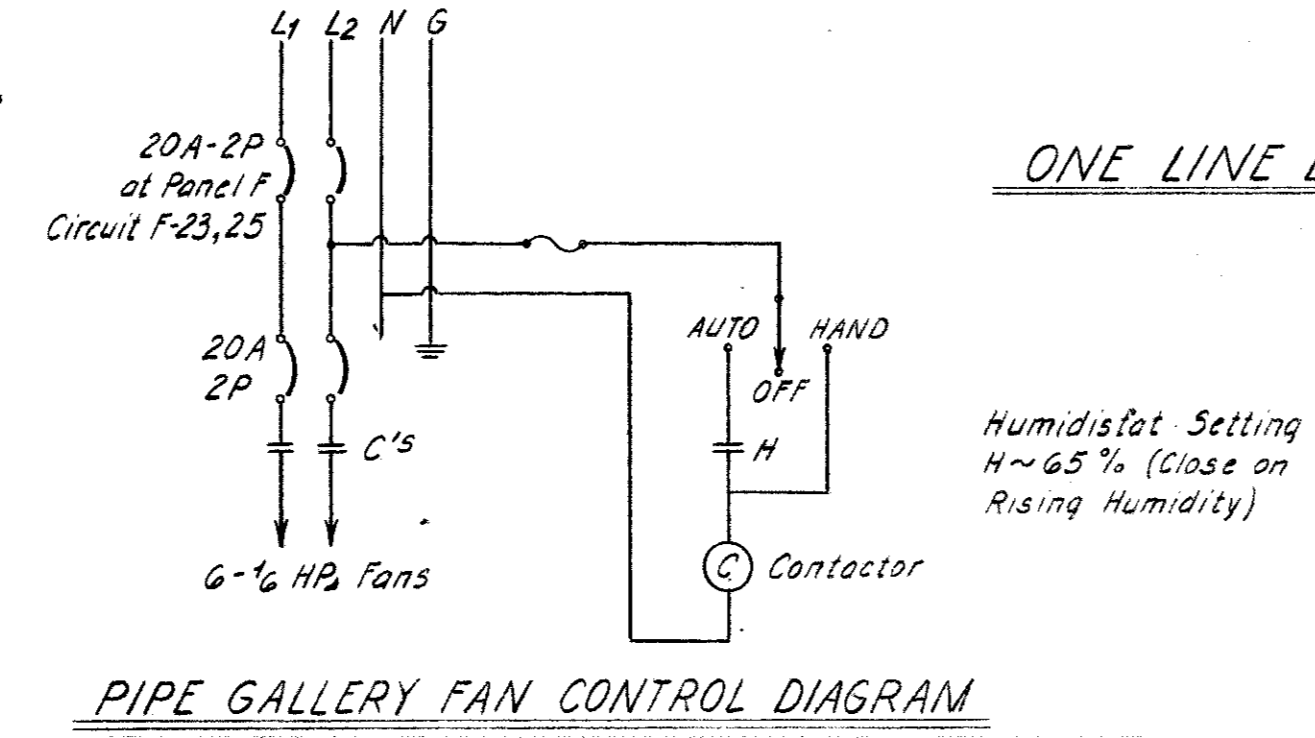
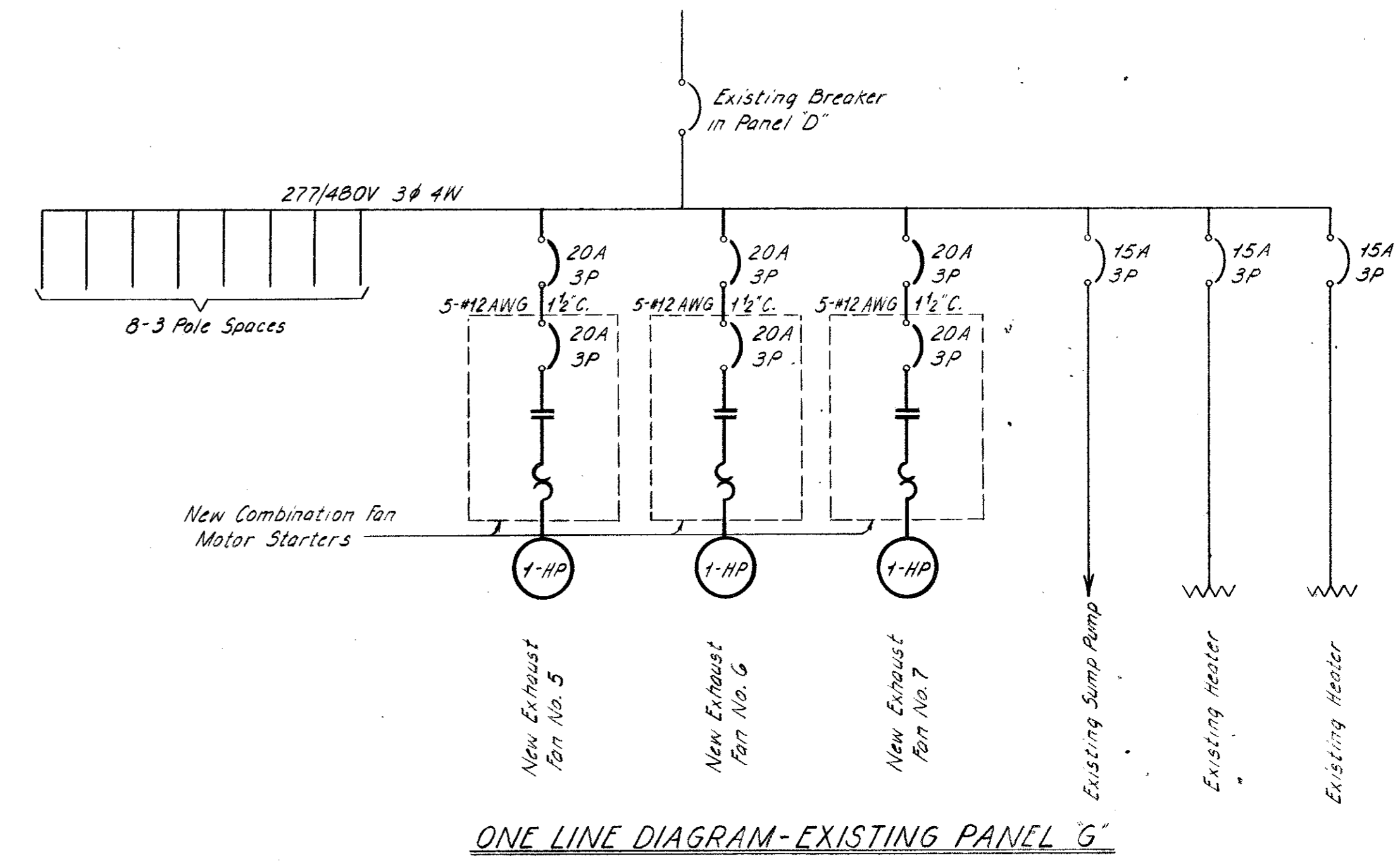
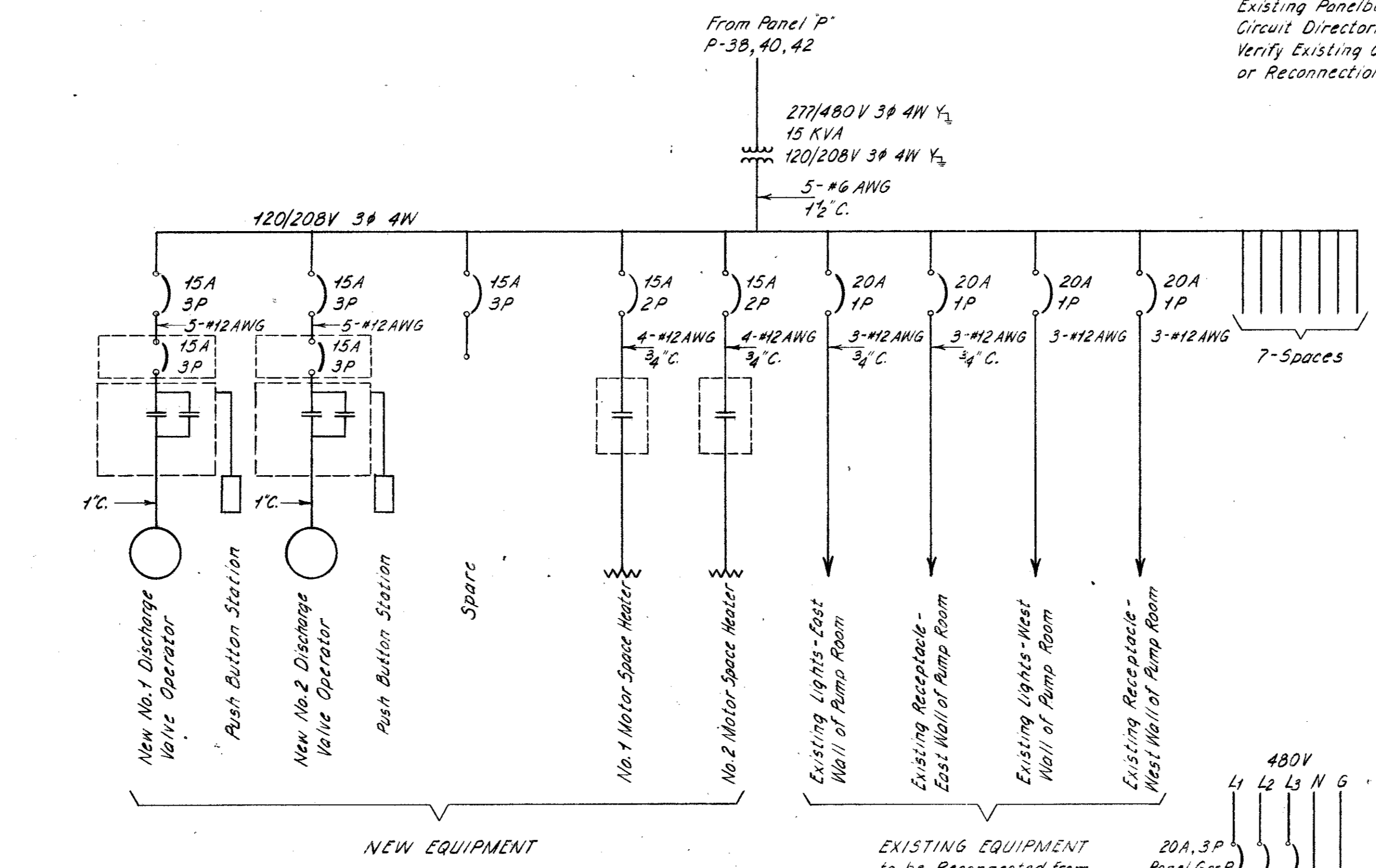


EXISTING PANEL "P" *					
VOLTAGE: 277/480V 3Ø 4W AMPERAGE: NEUTRAL (SOLID) X GROUND					
MAIN BREAKER: <input type="checkbox"/> YES <input checked="" type="checkbox"/> NO SIZE:					
CKT. NO.	BKR. SIZE	DESCRIPTION	CKT. NO.	BKR. SIZE	DESCRIPTION
1		Existing Southwest 9KW Unit Heater	2		Existing Northwest 9KW Unit Heater
3			4		
5			6		
7	20A	Existing West Exhaust Fan (New Wires and Breaker) New Fan No. 3	8	20A	New No. 2 Exhaust Fan (1HP) (New Breaker)
9	3P		10	3P	
11			12		
13	20A	New No. 1 Exhaust Fan (1HP) (New Breaker)	14	20A	New No. 4 Exhaust Fan (1HP) (New Breaker)
15	3P		16	3P	
17			18		
19		Existing Sump Pump	20	30A	Existing 9KVA Transformer To Panel B 277V 1Ø 3W
21	15A		22	3P	
23	3P		24		
25	15A	Existing Discharge Valve No. 1 (To be Removed)	26	15A	Solenoid Valve
27	3P		28	3P	
29			30		
31	15A	Existing Discharge Valve No. 2 (To be Removed)	32	15A	Existing North End Exhaust Fan (To be moved to "G-4")
33	3P		34	3P	
35			36		
37			38	30A	New 15 KVA Transformer (New Panel B)
39	15A	Existing Discharge Valve No. 3	40	3P	
41	3P		42		
43			44	20A	Spare
45	15A	Existing Discharge Valve No. 4	46	3P	
47	3P		48		



EXISTING PANEL "G" *					
VOLTAGE: 277/480V 3Ø 4W AMPERAGE: NEUTRAL (SOLID) X GROUND					
MAIN BREAKER: <input type="checkbox"/> YES <input checked="" type="checkbox"/> NO SIZE:					
CKT. NO.	BKR. SIZE	DESCRIPTION	CKT. NO.	BKR. SIZE	DESCRIPTION
1		BLANK	2		BLANK
3			4		
5			6		
7		BLANK	8		BLANK
9			10		
11			12		
13		BLANK	14		BLANK
15			16		
17			18		
19		BLANK	20		BLANK
21			22		
23			24		
6	15A 3P	Exhaust Fan No. 5 (New Breaker)	5	15A 3P	Exhaust Fan No. 6 (New Breaker)
1	15A 3P	Existing Sump Pump	4	15A 3P	Exhaust Fan No. 7 (New Breaker)
2	20A 3P	Existing Heater	3	20A 3P	Existing Heater

NEW PANEL "B"					
VOLTAGE: 120/208V 3Ø 4W Y AMPERAGE: 225A NEUTRAL (SOLID) ✓ GROUND					
MAIN BREAKER: <input type="checkbox"/> YES <input checked="" type="checkbox"/> NO SIZE:					
CKT. NO.	BKR. SIZE	DESCRIPTION	CKT. NO.	BKR. SIZE	DESCRIPTION
1		New Discharge Valve Operator No. 1	2	15A	New Discharge Valve
3	15A		4	3P	
5	3P		6	3P	Operator No. 2
7	15A 2P	No. 1 Motor Space Heater	8	15A	New Surge Valve Operator
9	3P		10	3P	
11	15A 2P	No. 2 Motor Space Heater	12	20A 1P	East Lights - Relocate from Existing Panel "B"
13	3P		14	20A 1P	
15	20A 1P	West Lights - Relocate from Existing Panel "B"	16	20A 1P	East Receptacles - Relocate from Existing Panel "B"
17	20A 1P	West Receptacles - Relocate from Existing Panel "B"	18		
19		Spaces	20		Spaces
21			22		
23			24		



DATE	REVISION	BY
ELECTRICAL DIAGRAMS AND SCHEDULES		
PUMPS 1A & 2A		
BELTWOOD PUMP STATION		
DALLAS WATER UTILITIES		
CITY OF DALLAS, TEXAS		
DESIGN	ACP	CONTRACT NO.
DRAWN	RME	81-7
TRACED		FILE NO.
CHECKED		640Q-700B
DATE	Dec. 1980	SHEET NO.
		18

