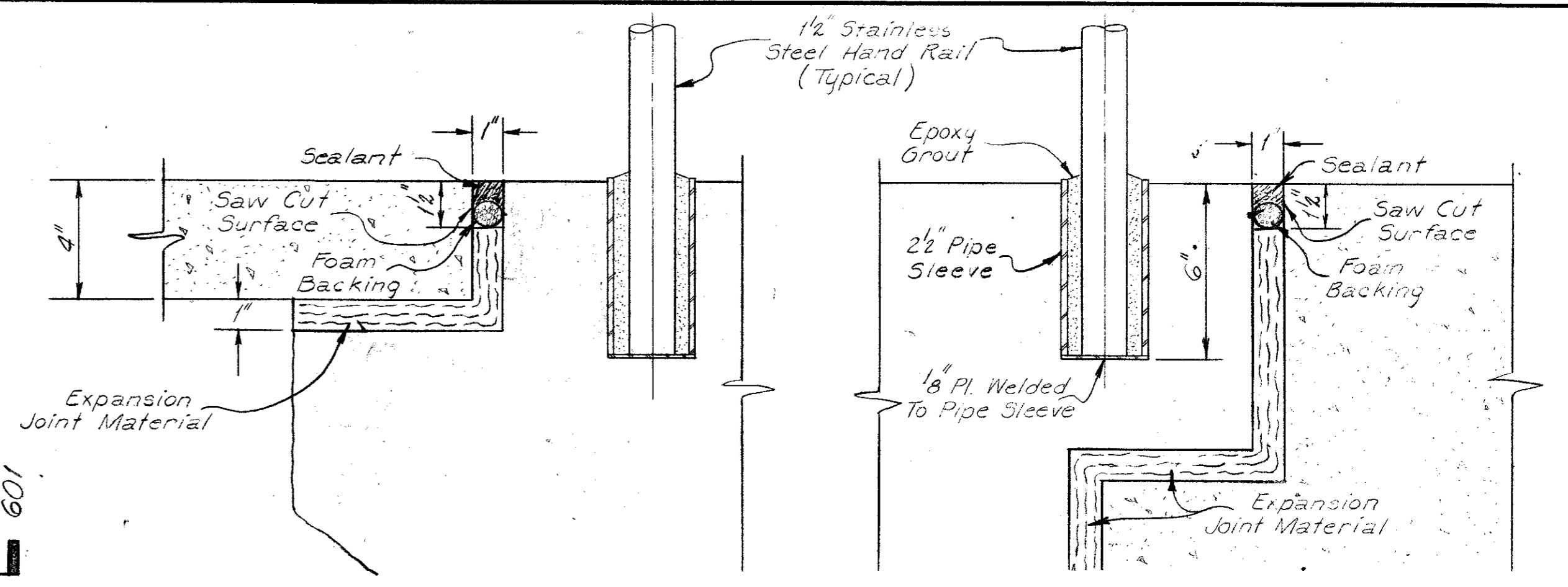
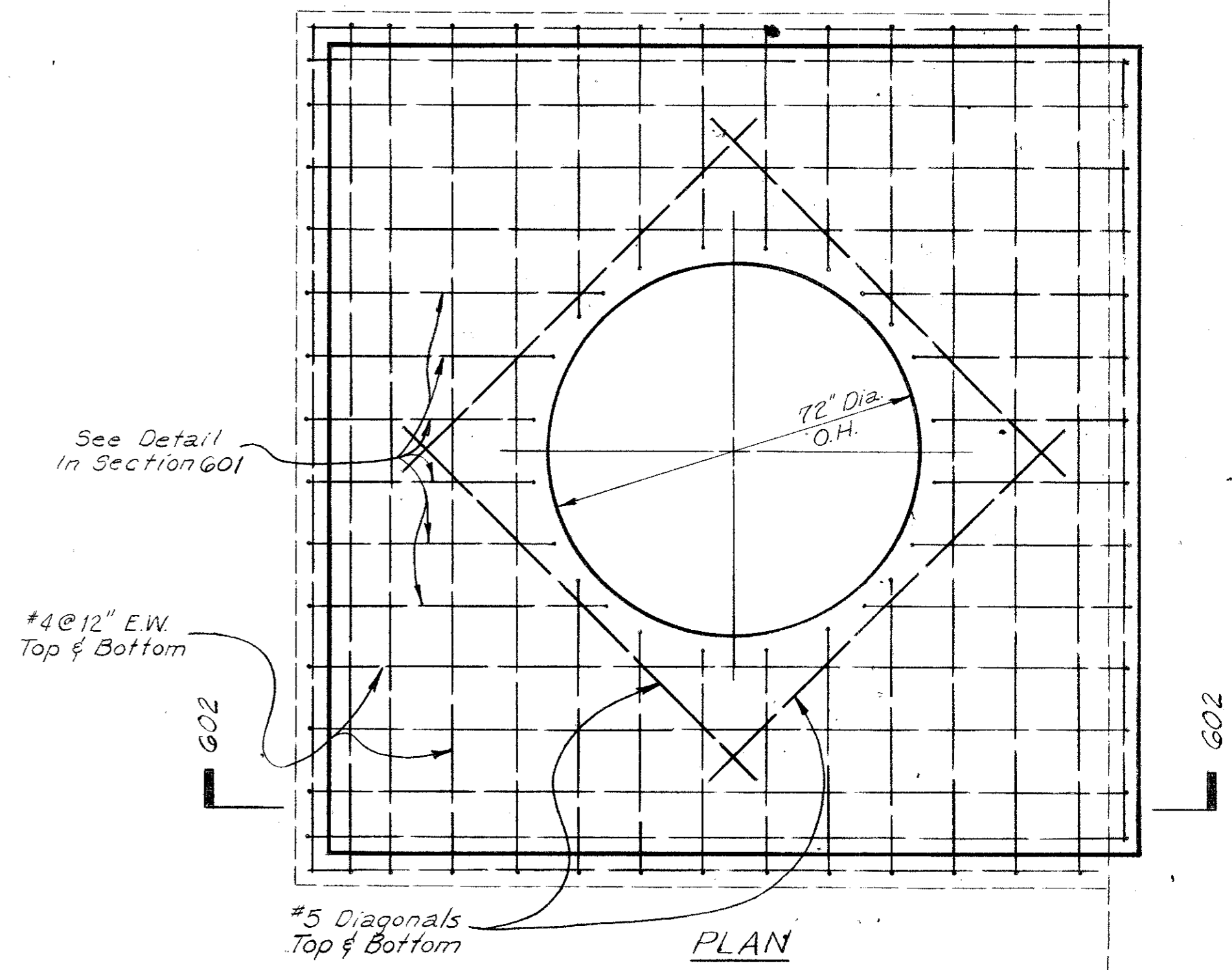


PLAN OF RESERVOIR OUTLET
1/2"=1'-0"

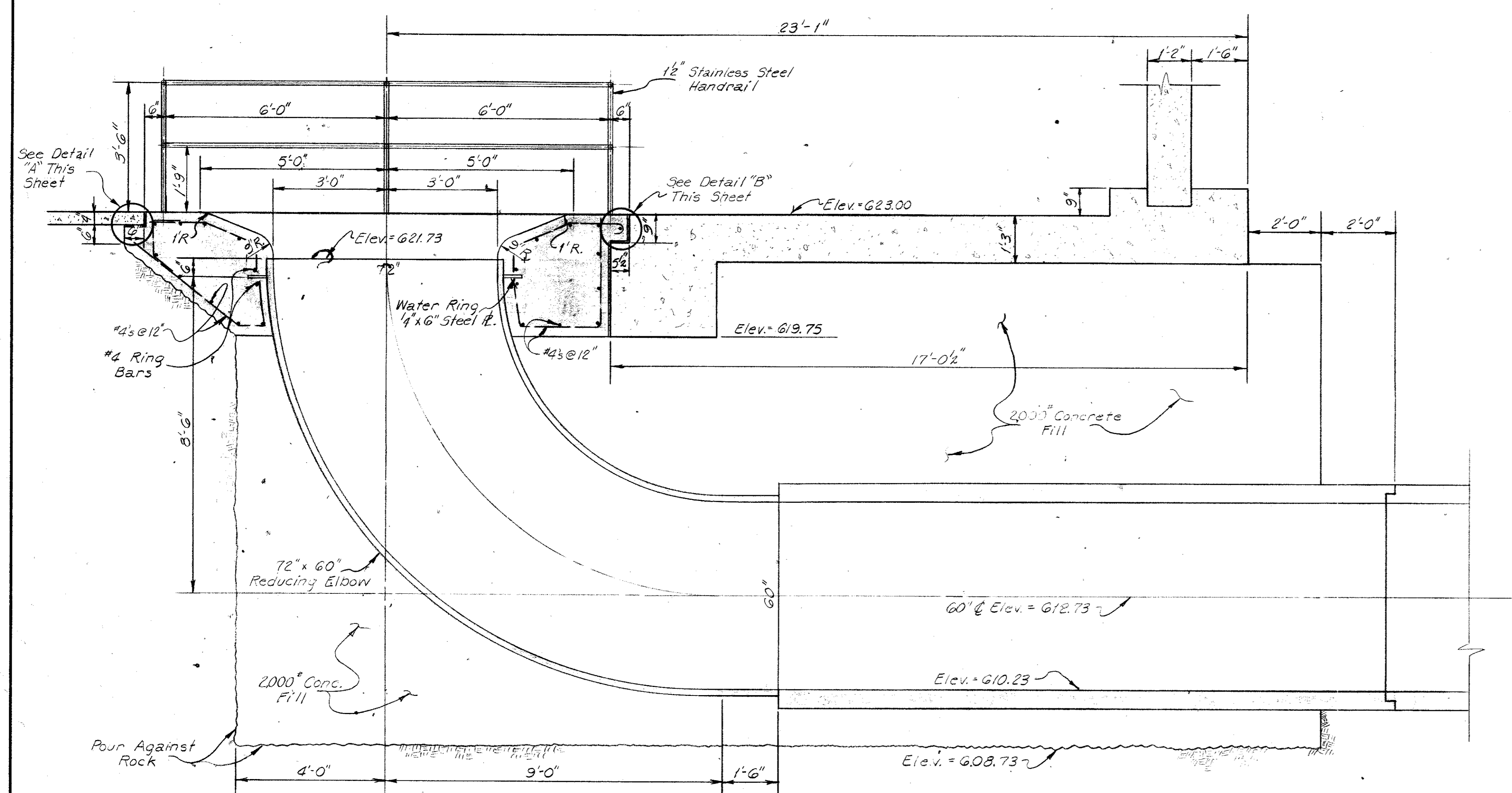


DETAIL "A"
(FLOOR JOINT SEAL)
3'-1'-0"

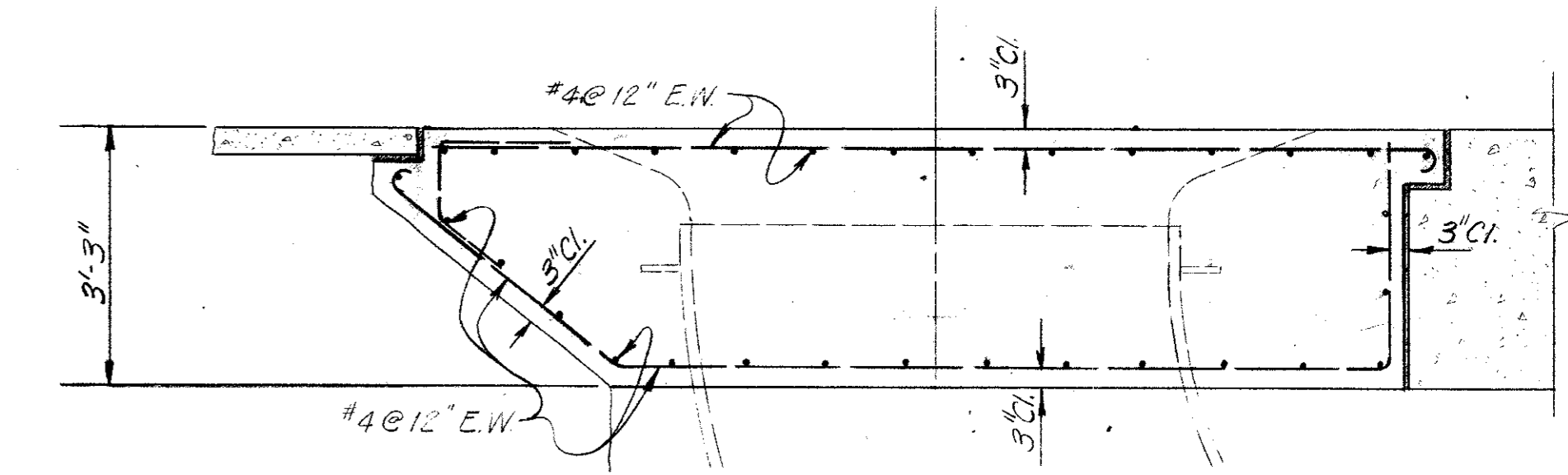
DETAIL "B"
(FLOOR JOINT SEAL)
3'-1'-0"



PLAN
RESERVOIR OUTLET REINFORCEMENT
1/2"=1'-0"



SECTION 601
1/2"=1'-0"



SECTION 602
RESERVOIR OUTLET REINFORCEMENT
1/2"=1'-0"
(ALSO SEE SECTION 601)

DATE	REVISION	BY

RESERVOIR OUTLET DETAILS
PUMPS 1A & 2A
BELTWOOD PUMP STATION
DALLAS WATER UTILITIES
CITY OF DALLAS, TEXAS

DESIGN	WIT	CONTRACT NO.	81-7	SHEET NO.	6
DRAWN		FILE NO.	640Q-700B	OF	20
TRACED					
CHECKED					
DATE	Dec. 1980				

