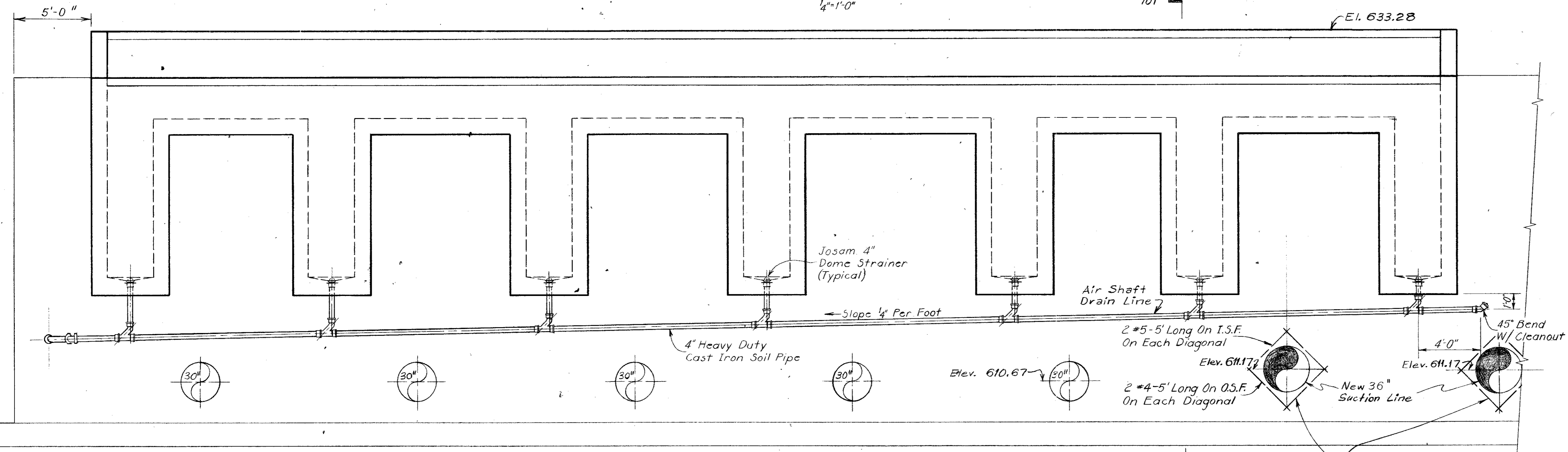
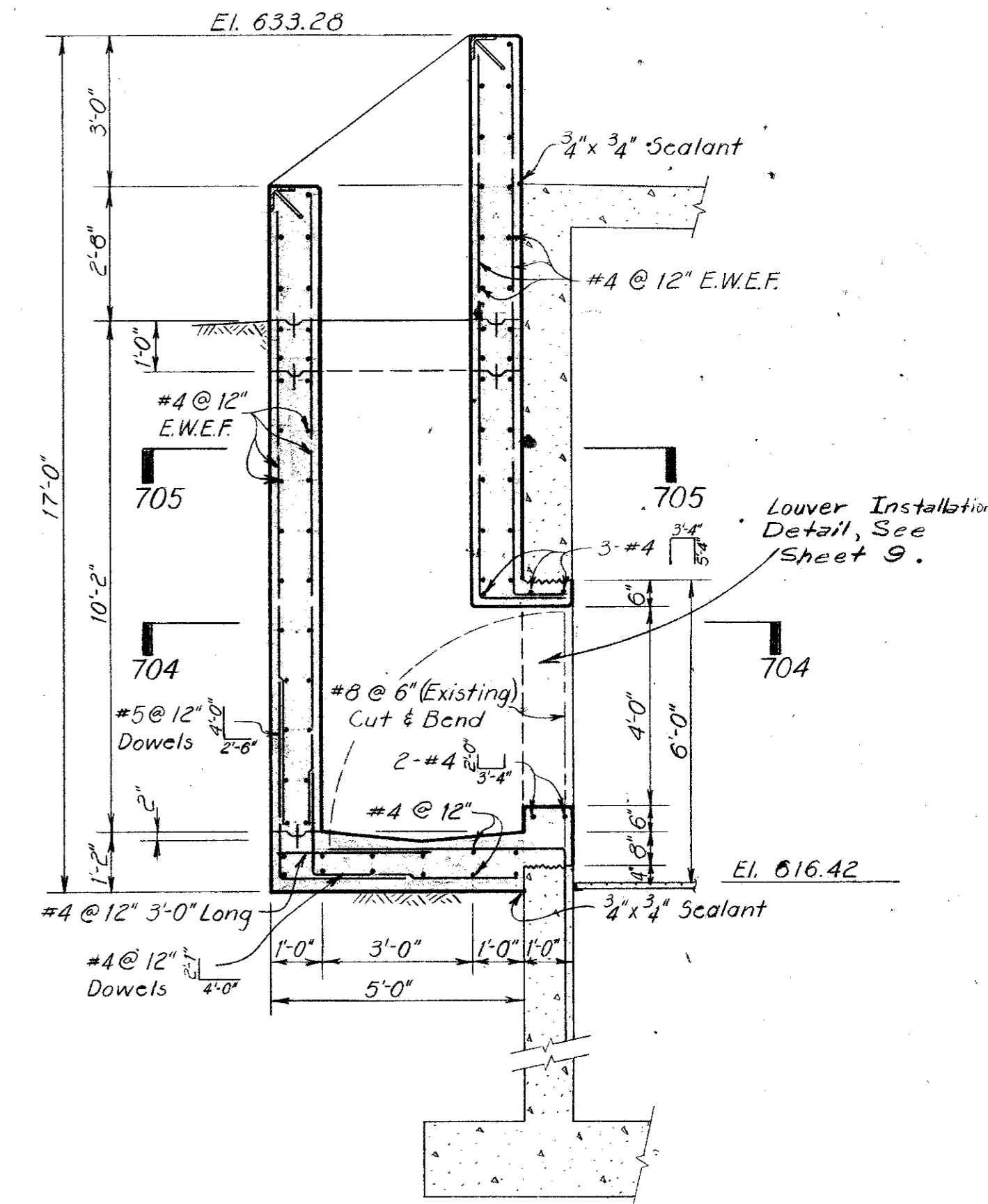


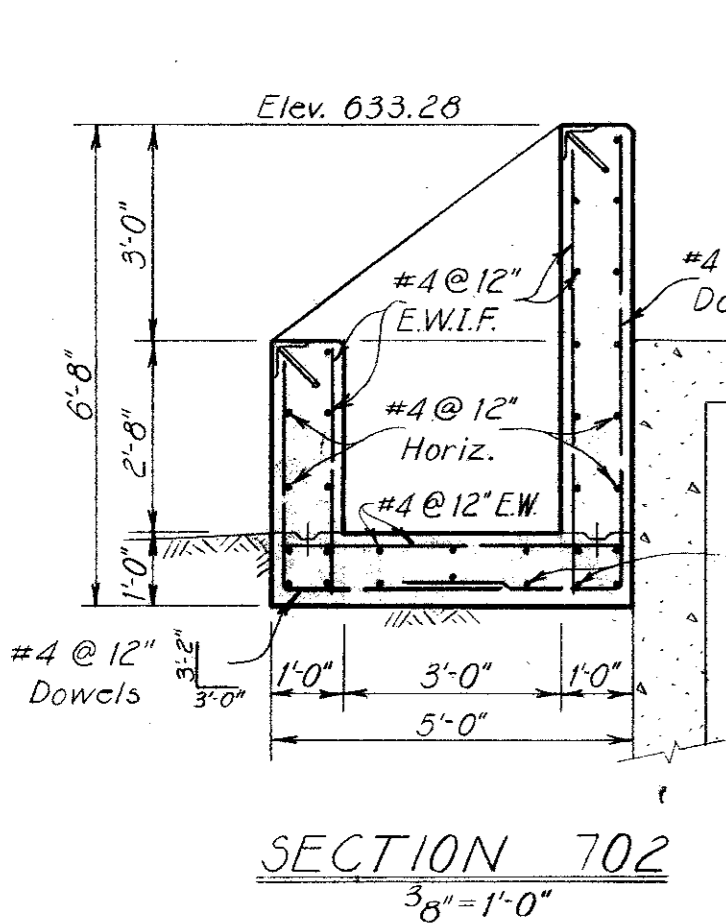
FLOOR PLAN
1/4"=1'-0"



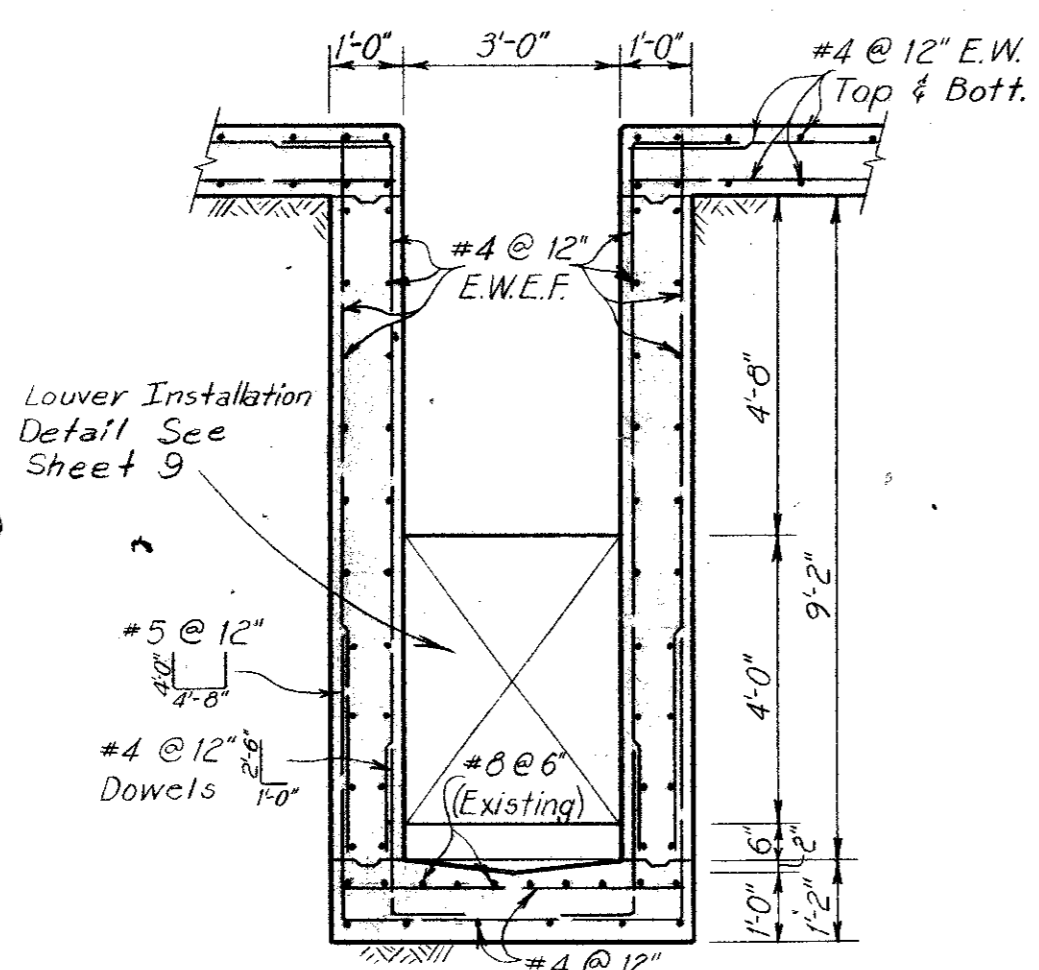
WEST ELEVATION
1/4"=1'-0"



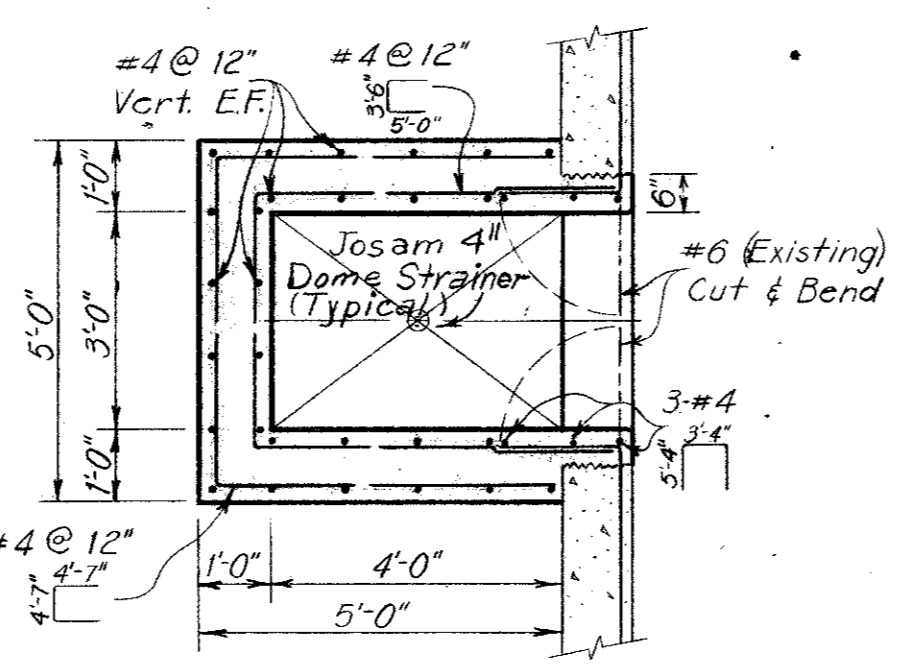
SECTION 701
3/8"=1'-0"



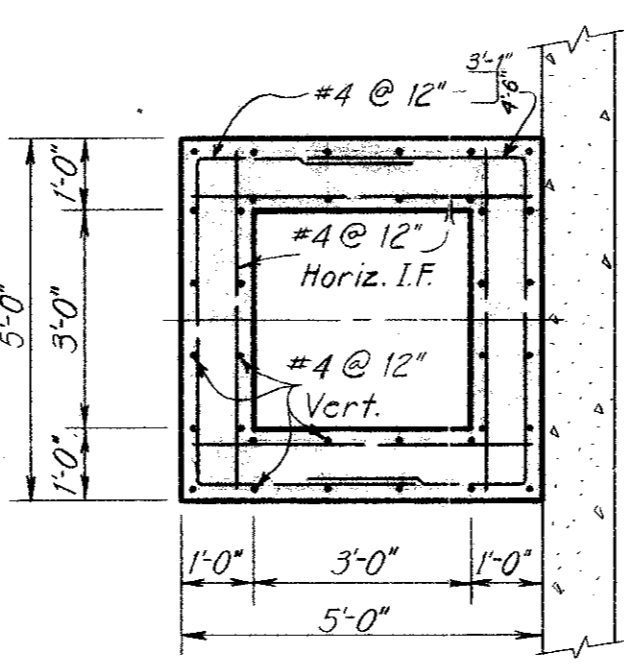
SECTION 702
3/8"=1'-0"



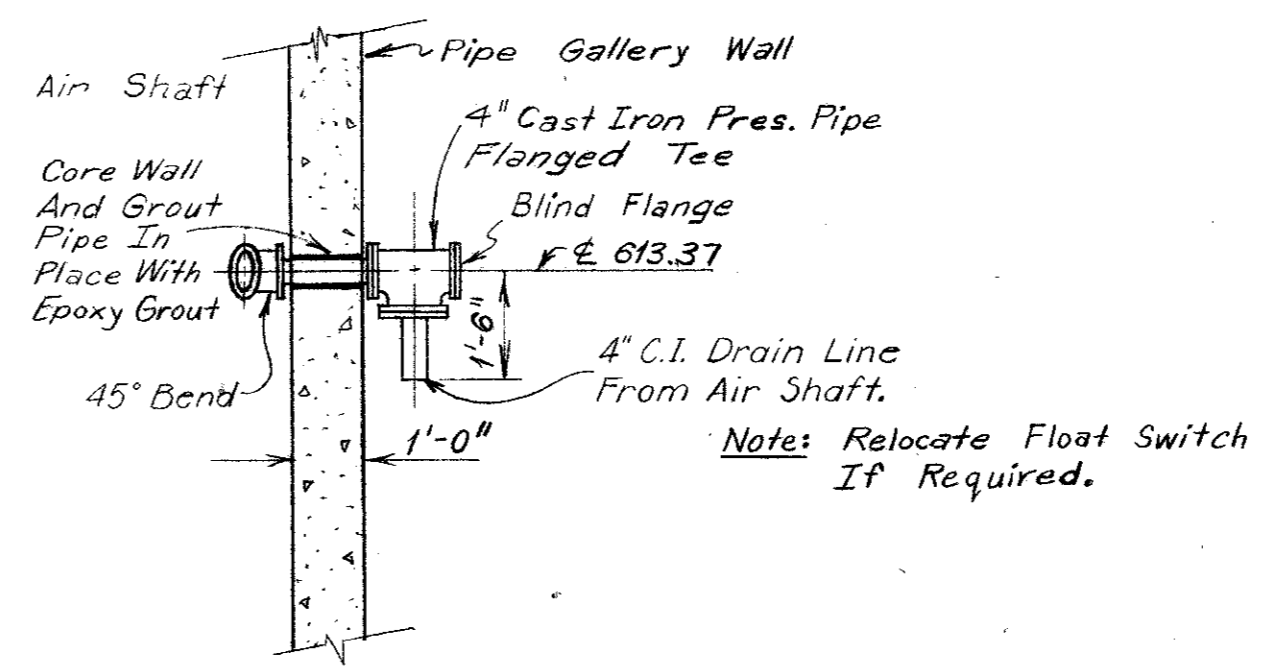
SECTION 703
3/8"=1'-0"



SECTION 704
3/8"=1'-0"



SECTION 705
3/8"=1'-0"



SECTION 706
3/8"=1'-0"

DATE	REVISION	SHEET NO.
AIR INTAKE STRUCTURAL DETAILS PUMPS 1A & 2A BELTWOOD PUMP STATION		7
DALLAS WATER UTILITIES CITY OF DALLAS, TEXAS		
DESIGN	CONTRACT NO.	FILE NO.
DRAWN	81-7	640 Q-700B
TRACED		
CHECKED		
DATE	DEC. 80	20

