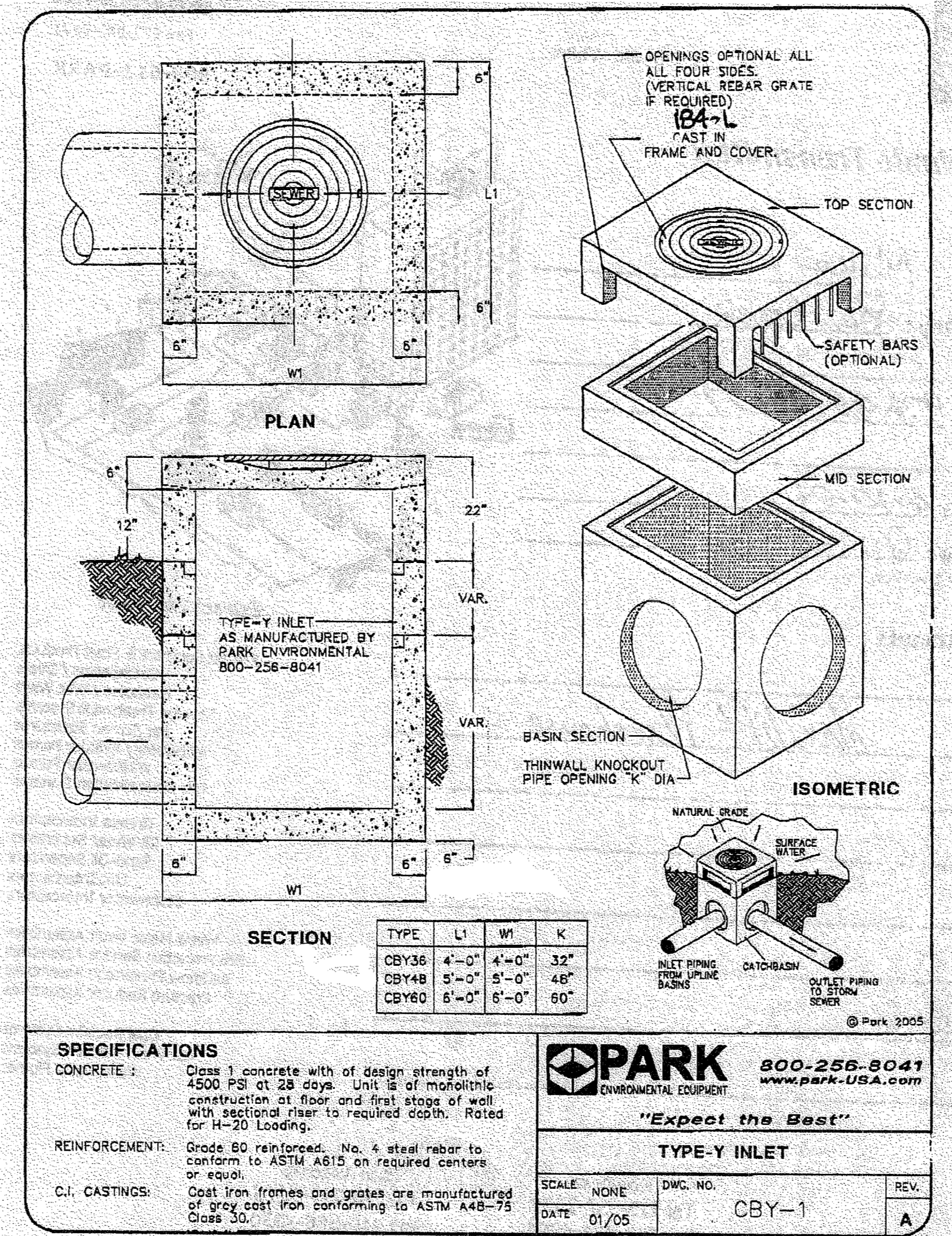


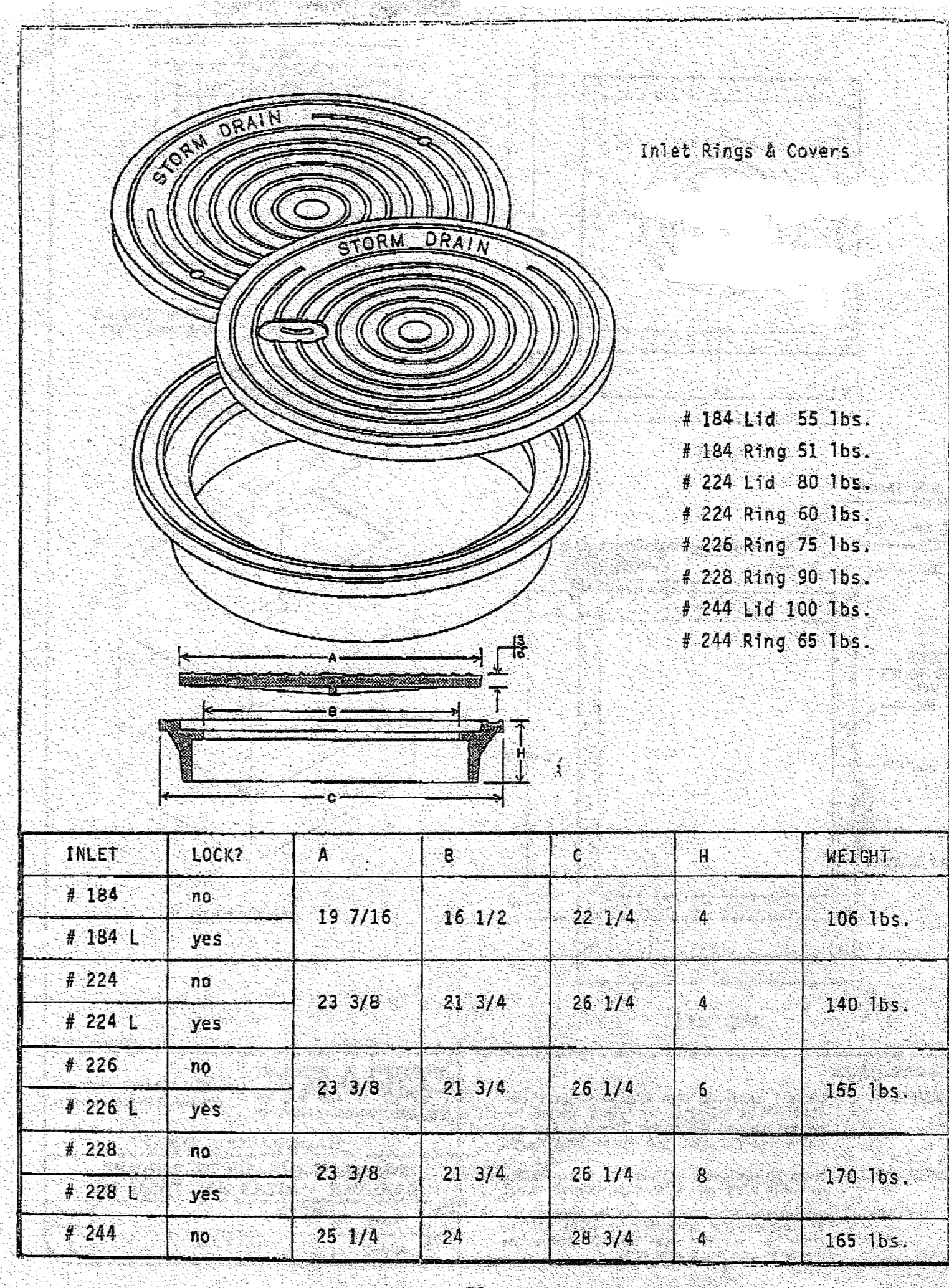
**SPECIFICATIONS**  
 CONCRETE: Class 1 concrete with design strength of 4500 PSI at 28 days. Unit is of monolithic construction at floor and first stage of wall with sectional riser to required depth. Rated for H-20 Loading.  
 REINFORCEMENT: Grade 60 reinforced. No. 4 steel rebar to conform to ASTM A615 on required centers or equal.  
 C.I. CASTINGS: Cast iron ring and cover are manufactured of gray cast iron conforming to ASTM A48-76 Class 30.

**PARK ENVIRONMENTAL EQUIPMENT**  
 800-256-8041  
 "Expect the Best"  
 3' x 5' CURB INLET  
 DALLAS / FORT WORTH  
 SCALE: NONE DWG. NO. C13505-DFW  
 DATE: 08/01 REV. A

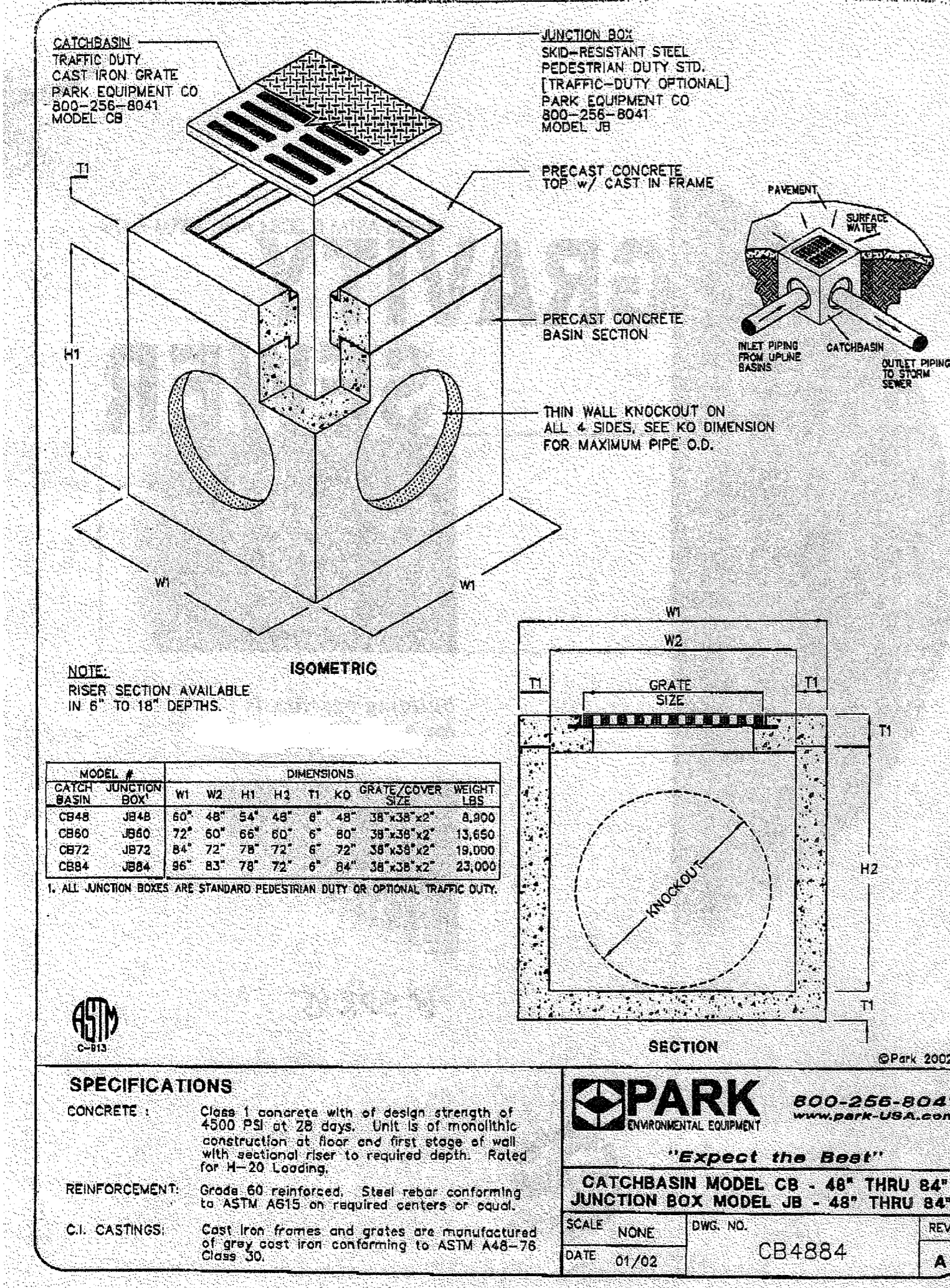


**SPECIFICATIONS**  
 CONCRETE: Class 1 concrete with design strength of 4500 PSI at 28 days. Unit is of monolithic construction at floor and first stage of wall with sectional riser to required depth. Rated for H-20 Loading.  
 REINFORCEMENT: Grade 60 reinforced. No. 4 steel rebar to conform to ASTM A615 on required centers or equal.  
 C.I. CASTINGS: Cast iron frames and grates are manufactured of gray cast iron conforming to ASTM A48-76 Class 30.

**PARK ENVIRONMENTAL EQUIPMENT**  
 800-256-8041  
 "Expect the Best"  
 TYPE-Y INLET  
 SCALE: NONE DWG. NO. CBY-1  
 DATE: 01/05 REV. A

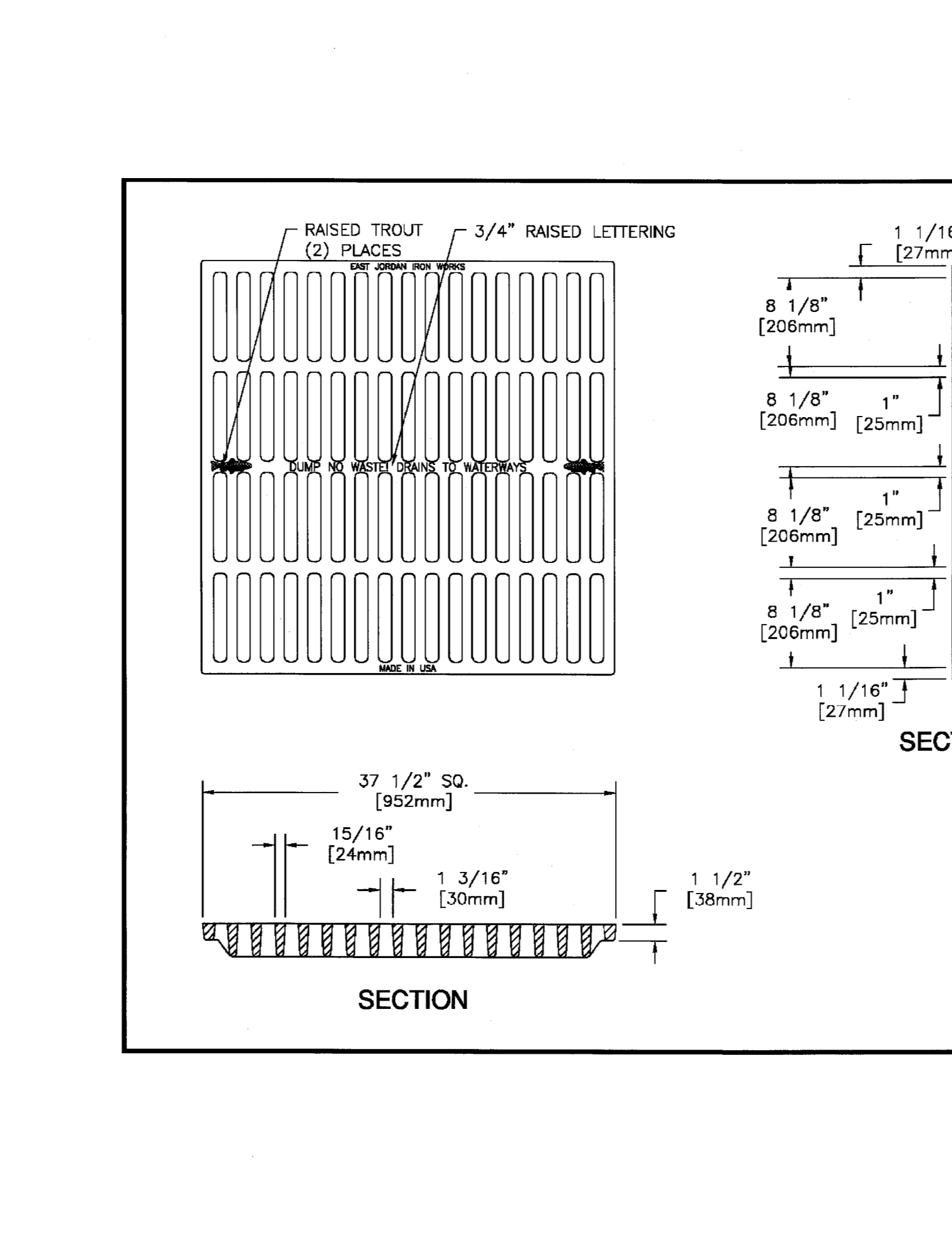


**PARK ENVIRONMENTAL EQUIPMENT**  
 800-256-8041  
 "Expect the Best"  
 INLET RINGS & COVERS  
 SCALE: NONE DWG. NO. CBY-1  
 DATE: 01/05 REV. A



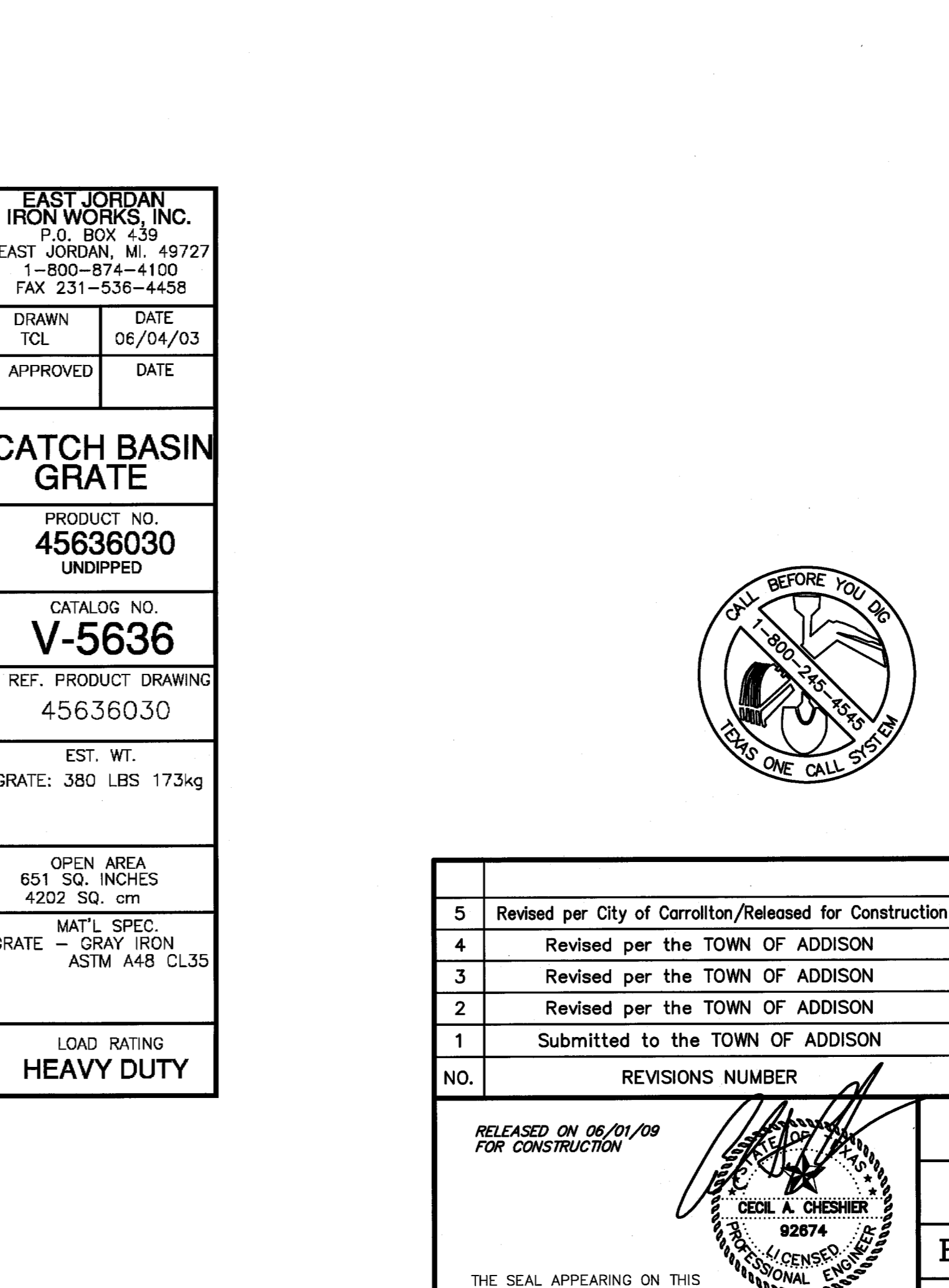
**SPECIFICATIONS**  
 CONCRETE: Class 1 concrete with design strength of 4500 PSI at 28 days. Unit is of monolithic construction at floor and first stage of wall with sectional riser to required depth. Rated for H-20 Loading.  
 REINFORCEMENT: Grade 60 reinforced. Steel rebar conforming to ASTM A615 on required centers or equal.  
 C.I. CASTINGS: Cast iron frames and grates are manufactured of gray cast iron conforming to ASTM A48-76 Class 30.

**PARK ENVIRONMENTAL EQUIPMENT**  
 800-256-8041  
 "Expect the Best"  
 CATCHBASIN MODEL CB - 48" THRU 84"  
 JUNCTION BOX MODEL JB - 48" THRU 84"  
 SCALE: NONE DWG. NO. CB4884  
 DATE: 01/02 REV. A



**EAST JORDAN IRON WORKS, INC.**  
 P.O. BOX 439  
 EAST JORDAN, MI. 49727  
 1-800-874-4100  
 FAX 231-536-4458

**CATCH BASIN GRATE**  
 PRODUCT NO. 45636030  
 UNDIPPED  
 CATALOG NO. V-5636  
 REF. PRODUCT DRAWING 45636030  
 EST. WT. GRATE: 380 LBS 173kg  
 OPEN AREA 651 SQ. INCHES 4202 SQ. cm  
 MAT'L SPEC. GRATE - GRAY IRON ASTM A48 CL35  
 LOAD RATING HEAVY DUTY



**CIVIL CONSTRUCTION DETAILS**  
 (LOT 2, BLOCK A) RE-PLAT OF  
 BELTWOOD NORTH - AIRPORT ADDITION  
 TOWN OF ADDISON, DALLAS COUNTY, TEXAS

**REVISIONS**

NO.	REVISIONS NUMBER	BY	DATE
5	Revised per City of Carrollton/Released for Construction	CAC	06/01/09
4	Revised per the TOWN OF ADDISON	CAC	05/07/09
3	Revised per the TOWN OF ADDISON	CAC	04/24/09
2	Revised per the TOWN OF ADDISON	CAC	04/02/09
1	Submitted to the TOWN OF ADDISON	CAC	01/26/09

**THE SEAL APPEARING ON THIS DOCUMENT WAS AUTHORIZED BY**  
**CECIL A. CHESHER, P.E. #92874**

Copyright © 2007-2009 by PEAK XV ENGINEERING GROUP, INC.

Released on 06/01/09 FOR CONSTRUCTION

THE SEAL APPEARING ON THIS DOCUMENT WAS AUTHORIZED BY  
 CECIL A. CHESHER, P.E. #92874

JOB NUMBER 18-0701  
 SHEET NUMBER C9.1