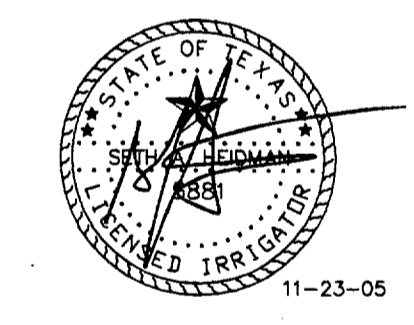


BENT TREE OAKS APARTMENTS
4815 WESTGROVE DRIVE
PLANO, TEXAS

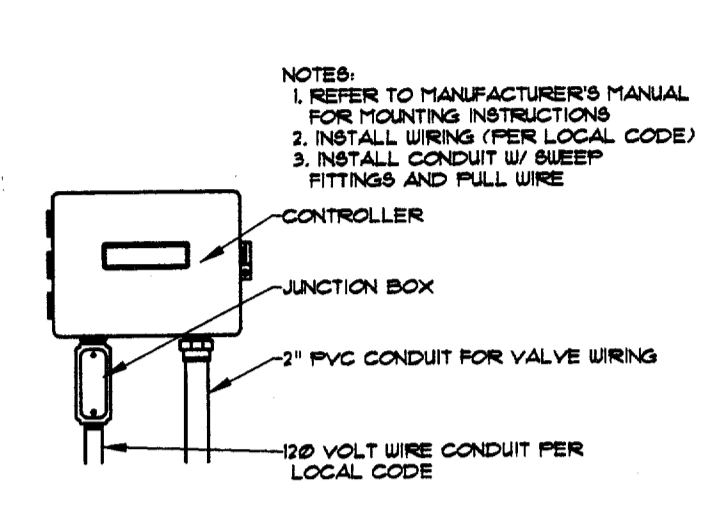


Revisions

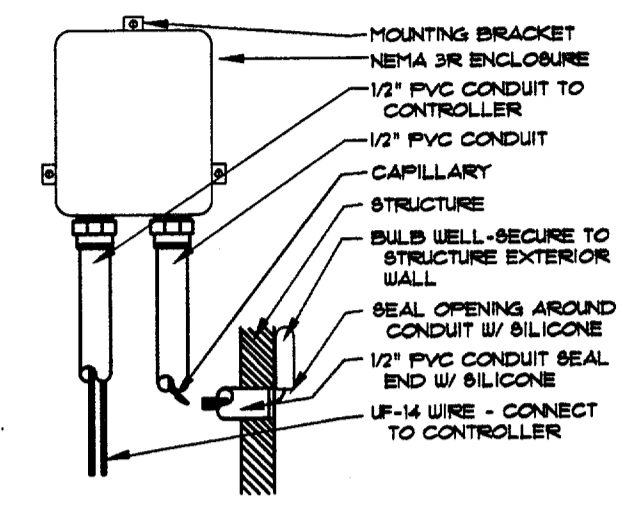
No.	Date	Items
1	12/05	MOVE METERS

Drawn: SAH
Appr.: JAH
Scale: 40'-0"
Date: 12-20-05
Project No.: 05354

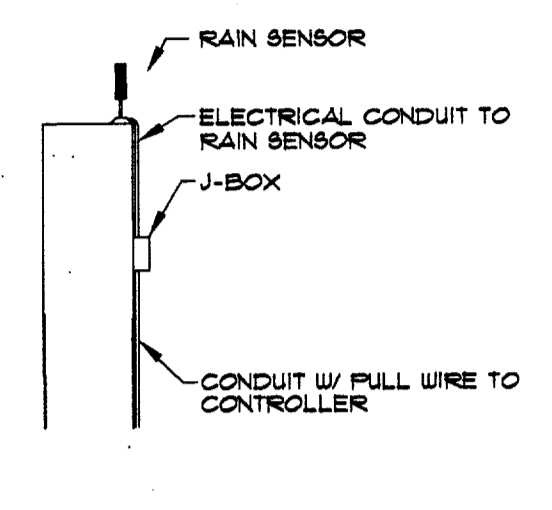
Sheet Title
IRRIGATION DETAILS



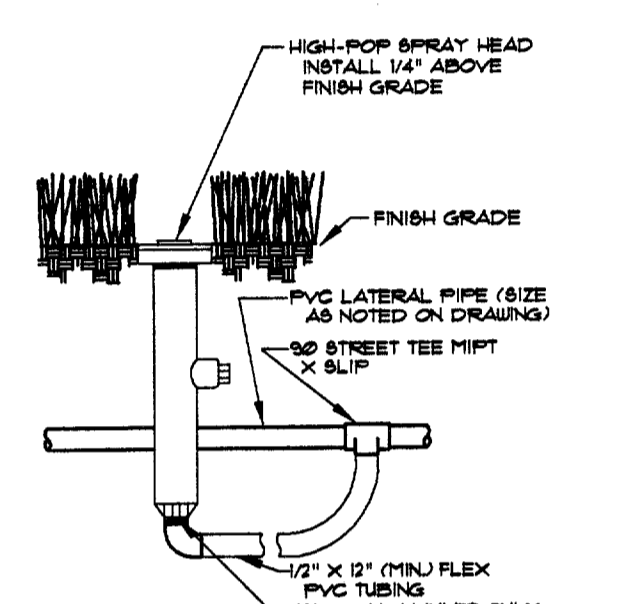
WALLMOUNT CONTROLLER
NOT TO SCALE



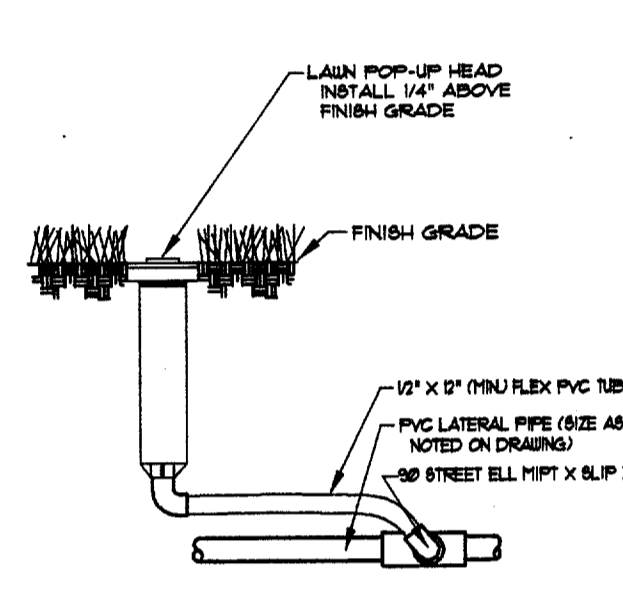
TEMPERATURE SENSOR
NOT TO SCALE



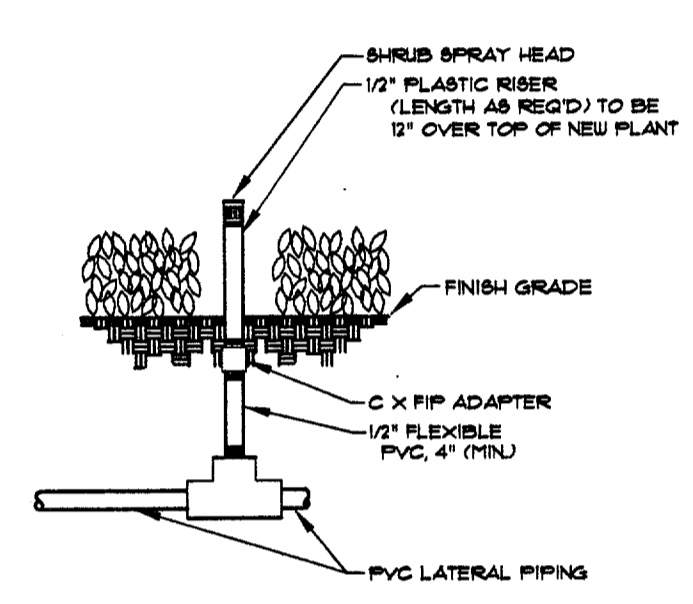
RAIN SENSOR
NOT TO SCALE



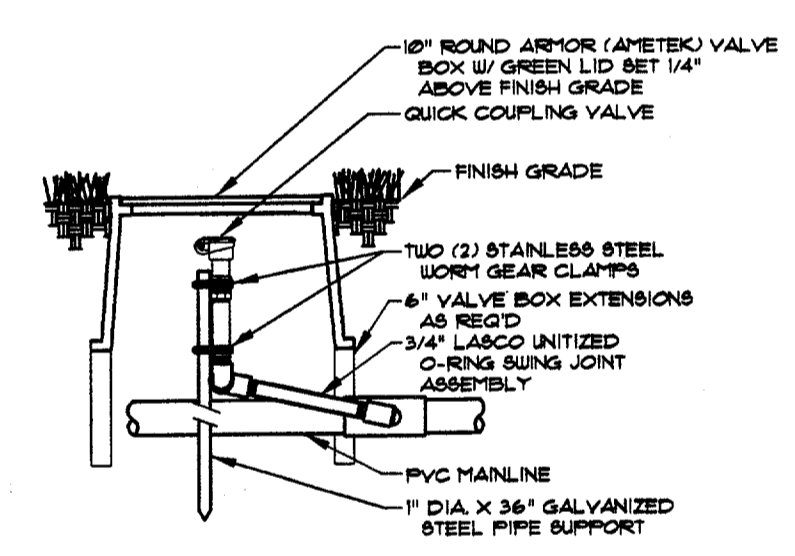
HIGH-POP SPRAY HEAD
NOT TO SCALE



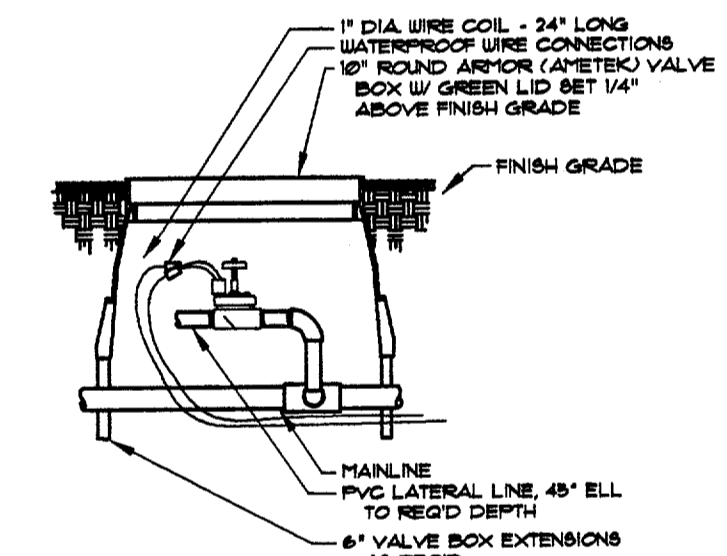
LAWN SPRAY HEAD
NOT TO SCALE



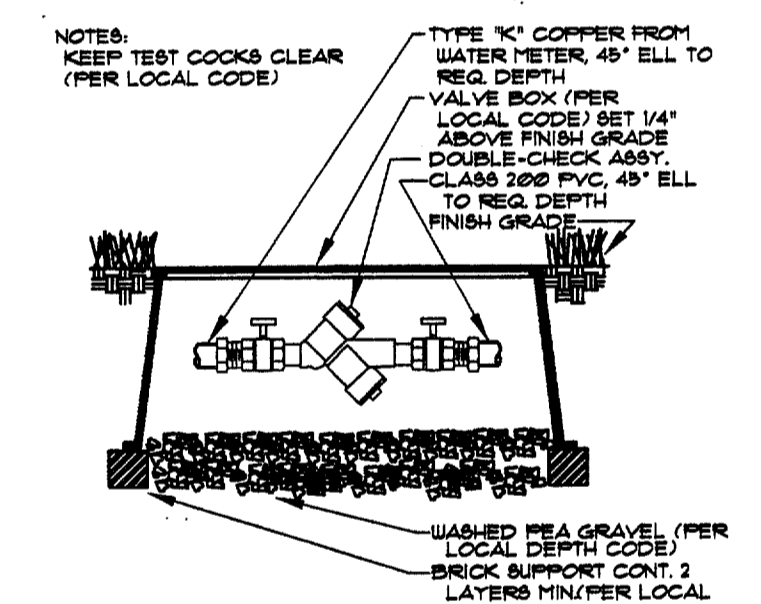
SHRUB SPRAY HEAD
NOT TO SCALE



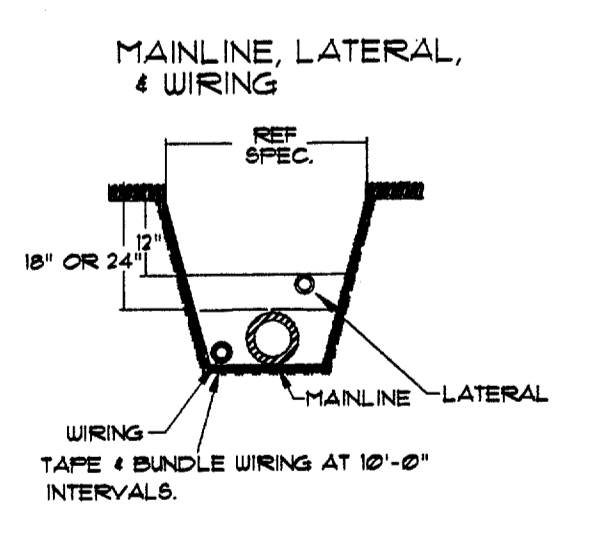
QUICK COUPLING VALVE
NOT TO SCALE



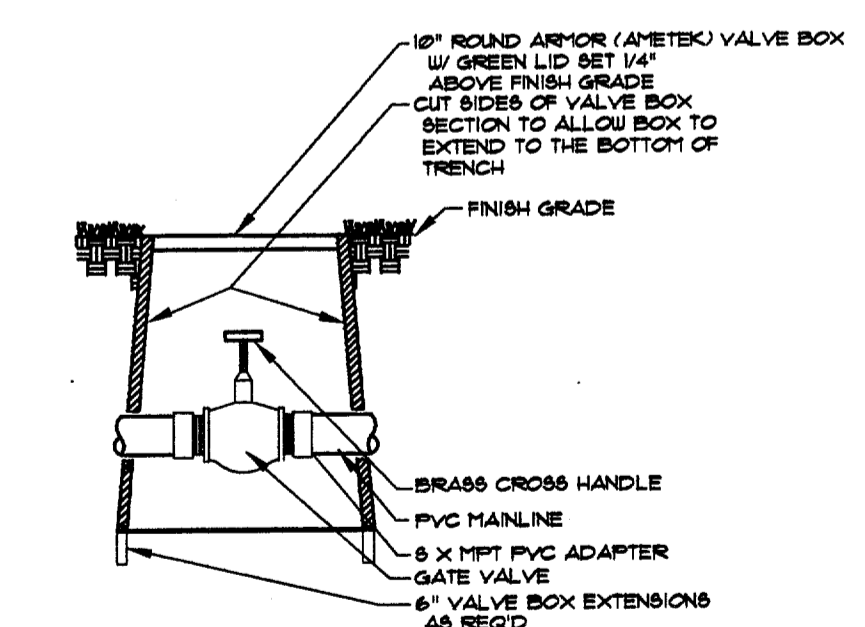
REMOTE CONTROL VALVE
NOT TO SCALE



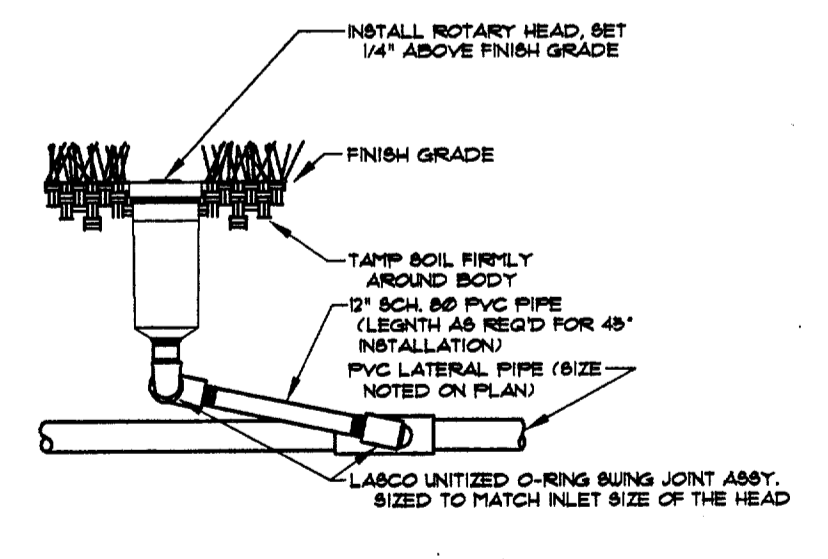
BACKFLOW PREVENTER
NOT TO SCALE



TRENCHING DETAIL
NOT TO SCALE



GATE VALVE - 3" AND SMALLER
NOT TO SCALE



ROTARY HEAD
NOT TO SCALE

- NOTES:**
- ALL 24 VOLT LEAD AND COMMON VALVE WIRING SHALL BE A MINIMUM OF UF-14 GA. SINGLE CONDUCTOR. REFER TO MANUFACTURER'S RECOMMENDATIONS FOR PROPER WIRE SIZE. WIRE SPLICES SHALL BE PERMANENT AND WATERPROOF.
 - COORDINATE INSTALLATION OF IRRIGATION SYSTEM WITH LANDSCAPE CONTRACTOR TO ENSURE ALL PLANT MATERIAL WILL BE WATERED IN ACCORDANCE WITH THE INTENT OF THE PLANS AND SPECIFICATIONS.
 - LATERAL PIPING SHALL HAVE A MINIMUM OF 8" OF COVER. MAINLINE AND PIPING UNDER PAVING SHALL HAVE A MINIMUM OF 12" OF COVER. USE WELD-ON #105 SOLENT AND #P-68 PRIMER FOR PVC CONNECTIONS.
 - PIPING AND VALVES IN PAVING SHOWN FOR CLARITY, INSTALL IN ADJACENT PLANTING BED OR LAWN AREA.
 - CONNECT LAWN AND HIGH-POP SPRAY HEADS TO LATERAL PIPING WITH 1/2" FLEXIBLE PVC AND 1/2" SCH 40 PVC FITTINGS AS REQUIRED, PER DETAIL SHOWN. USE WELD-ON # 105 SOLVENT AND #P-68 PRIMER ON THESE CONNECTIONS.
 - CONNECT ROTARY HEADS TO LATERAL PIPE WITH LASCO "UNITIZED", O-RING SWING JOINTS PER DETAIL SHOWN, #T122-312.
 - INSTALL REMOTE CONTROL VALVES IN TEN (10") INCH ARMOR (AMETEK) VALVE BOXES PER DETAIL SHOWN.
 - PERFORM ELECTRICAL WORK IN ACCORDANCE WITH LOCAL BUILDING CODE. POWER (120V) SHALL BE LOCATED IN A JUNCTION BOX WITHIN FIVE (5) FEET OF CONTROLLER LOCATION BY OTHER TRADES.
 - SLEEVES AND BORES SHALL BE CLASS 200 PVC, SIZED AS NOTED ON PLANS AND INSTALLED BY OTHER TRADES.
 - ROUTE COMMON WIRE FROM CONTROLLER TO REMOTE SENSORS IN SERIES PRIOR TO CONNECTING TO REMOTE CONTROL VALVES.
 - CONTRACTOR TO INSTALL AND ADJUST VAN SERIES NOZZLES FOR SITUATIONS THAT REQUIRE LESS THAN 90 DEGREE RADII SPRAY.
 - TEN DAYS PRIOR TO START OF CONSTRUCTION, VERIFY STATIC PRESSURE. IF STATIC PRESSURE IS LESS THAN 65.0 PSI, DO NOT START WORK UNTIL NOTIFIED TO PROCEED BY OWNER. DESIGN PRESSURE IS 55.0 PSI.
 - DUE TO THE DEPTH OF EXISTING TREE ROOTS AND UTILITIES, LANDSCAPE IRRIGATION CONTRACTOR MIGHT BE REQUIRED TO INSTALL MAINLINE AND LATERAL LINES LESS THAN SPECIFICATIONS.
 - LANDSCAPE IRRIGATION CONTRACTOR TO HAND DIG WITHIN ALL EXISTING TREE ROOT BALL ZONES AND UTILITIES.
 - LANDSCAPE IRRIGATION CONTRACTOR TO VERIFY LOCATION AND AMOUNT OF EXISTING REMOTE CONTROL VALVES ALONG ADDISON ROAD AND WESTGROVE DRIVE PRIOR TO BIDDING AND INSTALLATION. L.I.C. TO COORDINATE COORDINATE WHICH AUTOMATIC CONTROLLER TO BE CONNECTED.
 - PROPOSED IRRIGATION SYSTEM TO OPERATE CONTROLLERS 'A' AND 'C' SIMULTANEOUSLY AND CONTROLLERS 'B' AND 'D' SIMULTANEOUSLY.
 - ALL IRRIGATION MAINLINE TO BE 2-1/2" UNLESS OTHERWISE NOTED.

IRRIGATION LEGEND:

SYMBOL	DESCRIPTION	MANUFACTURER	MODEL NO.
●	LAWN SPRAY HEAD	WEATHERMATIC	1824 W/ 15F, 15H, OR 15Q UNLESS NOTED OTHERWISE
⊗	HIGH-POP SPRAY HEAD	WEATHERMATIC	1812 W/ 15F, 15H, OR 15Q UNLESS NOTED OTHERWISE
○	SHRUB SPRAY HEAD	RAINBIRD	PA-85 ADAPTER W/ 15F, 15H, OR 15Q UNLESS NOTED OTHERWISE
⊙	SMALL ROTARY PART-CIRCLE	HUNTER	PGP W/ #6 NOZZLE • 3.0GPM
⊕	SMALL ROTARY FULL-CIRCLE	HUNTER	PGP W/ #9 NOZZLE • 6.0GPM
⊖	REMOTE CONTROL VALVE	RAINBIRD	PEB SERIES, REFER TO PLAN FOR SIZE
⊙	GATE VALVE	WATTS	LINE SIZE
■	CONTROLLER	HUNTER	ICC-24 WALL MOUNT/METAL HOUSING PENN A-18ANC-1 TEMP. SENSOR
—	MAINLINE PIPING	REFER TO SPEC.	CLASS 200 PVC
—	LATERAL PIPING	REFER TO SPEC.	3/4" & LARGER - CLASS 200 PVC 1/2" - CLASS 315 PVC
⊖	BACKFLOW PREVENTER	FEBCO	#250Y
⊙	WATER METER	REFER TO SPEC.	PER LOCAL BUILDING CODE
□	STATION NUMBER		
□	VALVE SIZE		
□	GPM (APPROX.)		