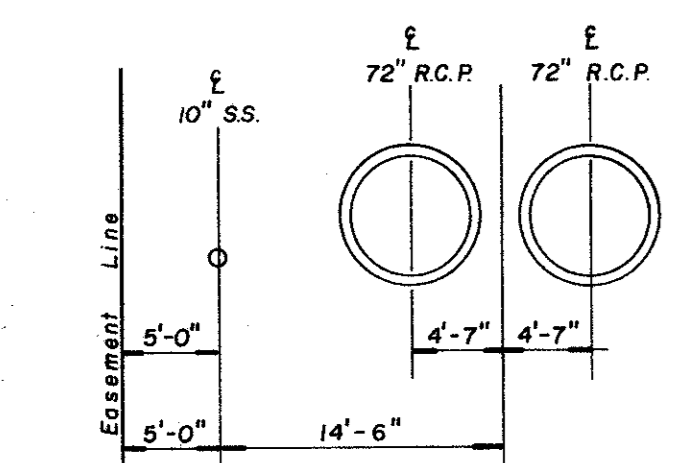
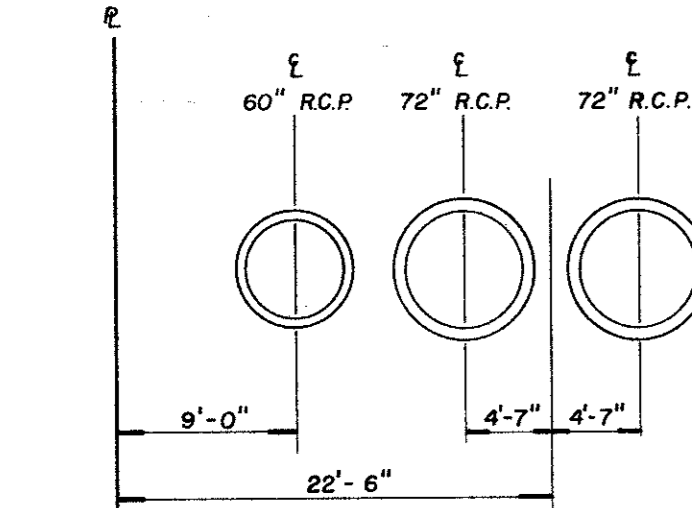
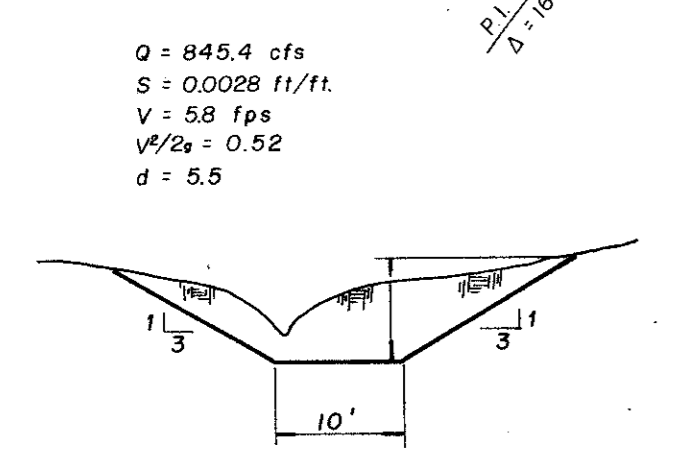
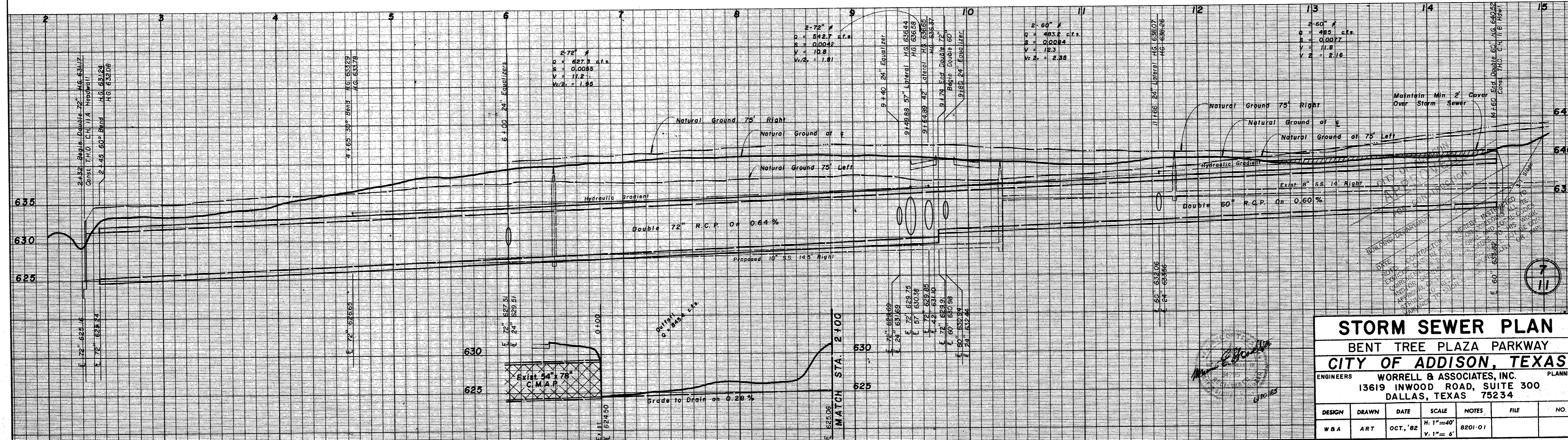


BENCH MARK #1
 " " on T.C. 60' east of Addison Road
 north side of Westgrove
 ELEVATION: 641.96

BENCH MARK #2
 " " on T.C. 100± north of Sir Lancelot
 Drive, west side of Addison Road
 ELEVATION: 642.49



The contractor is responsible to preserve the final alignment and grade stakes as set by the engineer until the completed pavement is accepted by the City. In the event stakes are lost, the engineer accepts no responsibility for pavement alignment or grade.



STORM SEWER PLAN
 BENT TREE PLAZA PARKWAY
 CITY OF ADDISON, TEXAS

ENGINEERS: **WORRELL & ASSOCIATES, INC.** PLANNERS
 13619 INWOOD ROAD, SUITE 300
 DALLAS, TEXAS 75234

DESIGN	DRAWN	DATE	SCALE	NOTES	FILE	NO.
WBA	ART	OCT., '82	H: 1"=40' V: 1"=6'	8201-01		