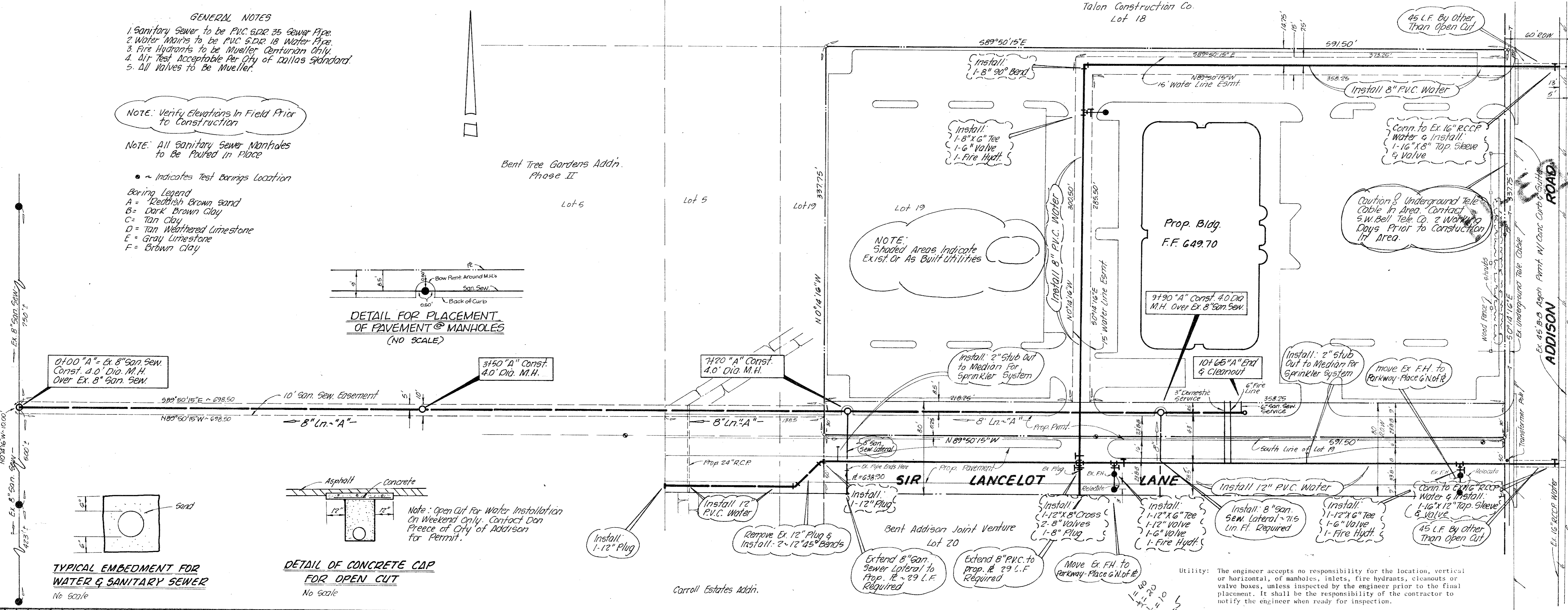
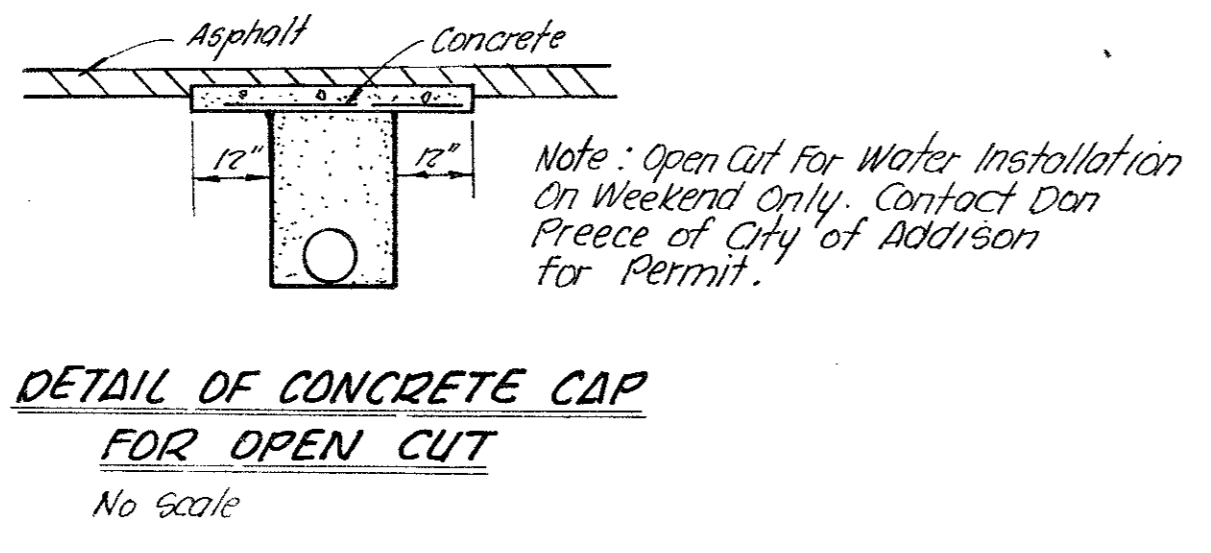
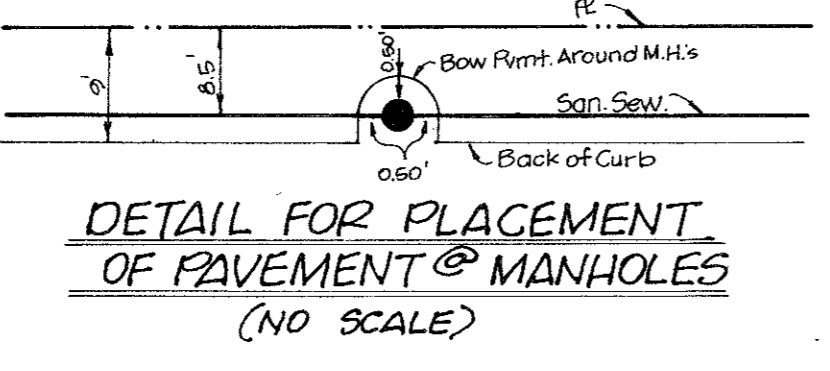


- GENERAL NOTES**
- Sanitary Sewer to be PVC. 24" R.C.P. 35' Sewer Pipe.
  - Water Mains to be PVC S.D.R. 18 Water Pipe.
  - Fire Hydrants to be Mueller Centurion Only.
  - All Test Acceptable Per City of Dallas Standard.
  - All Valves to be Mueller.

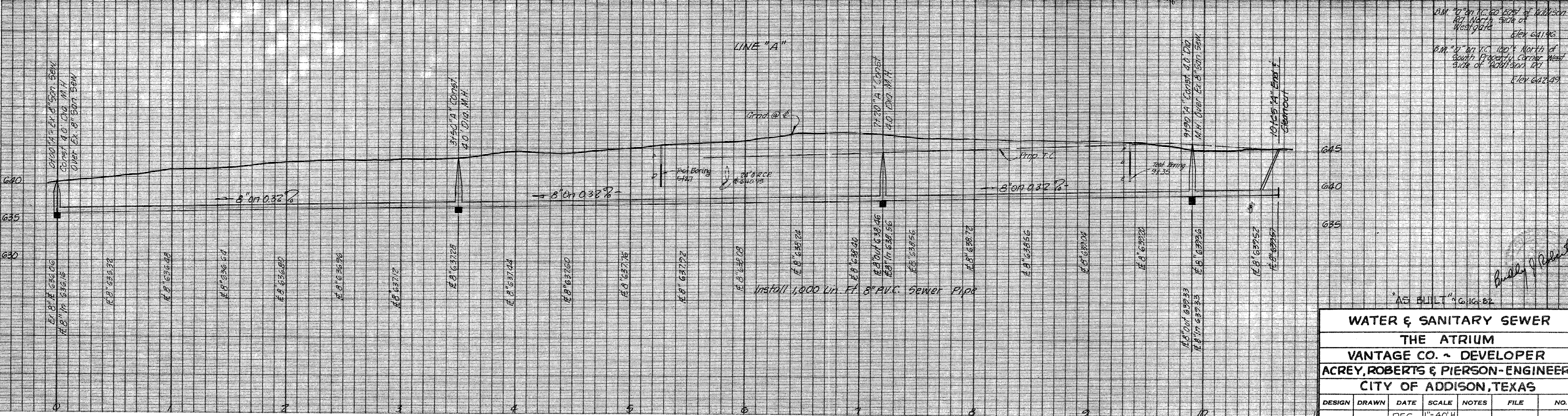
NOTE: Verify Elevations In Field Prior to Construction

NOTE: All Sanitary Sewer Manholes to Be Poured in Place

- ~ Indicates Test Borings Location
- Boring Legend**
- A = Reddish Brown sand
  - B = Dark Brown Clay
  - C = Tan Clay
  - D = Tan Weathered Limestone
  - E = Gray Limestone
  - F = Brown Clay



Utility: The engineer accepts no responsibility for the location, vertical or horizontal, of manholes, inlets, fire hydrants, cleanouts or valve boxes, unless inspected by the engineer prior to the final placement. It shall be the responsibility of the contractor to notify the engineer when ready for inspection.



<b>WATER &amp; SANITARY SEWER</b>						
<b>THE ATRIUM</b>						
<b>VANTAGE CO. - DEVELOPER</b>						
<b>ACREY, ROBERTS &amp; PIERSON-ENGINEERS</b>						
<b>CITY OF ADDISON, TEXAS</b>						
DESIGN	DRAWN	DATE	SCALE	NOTES	FILE	NO.
A.R.P.	G.L.S.	DEC. 1981	1"=40' H 1"=6' V	A.R.P.		