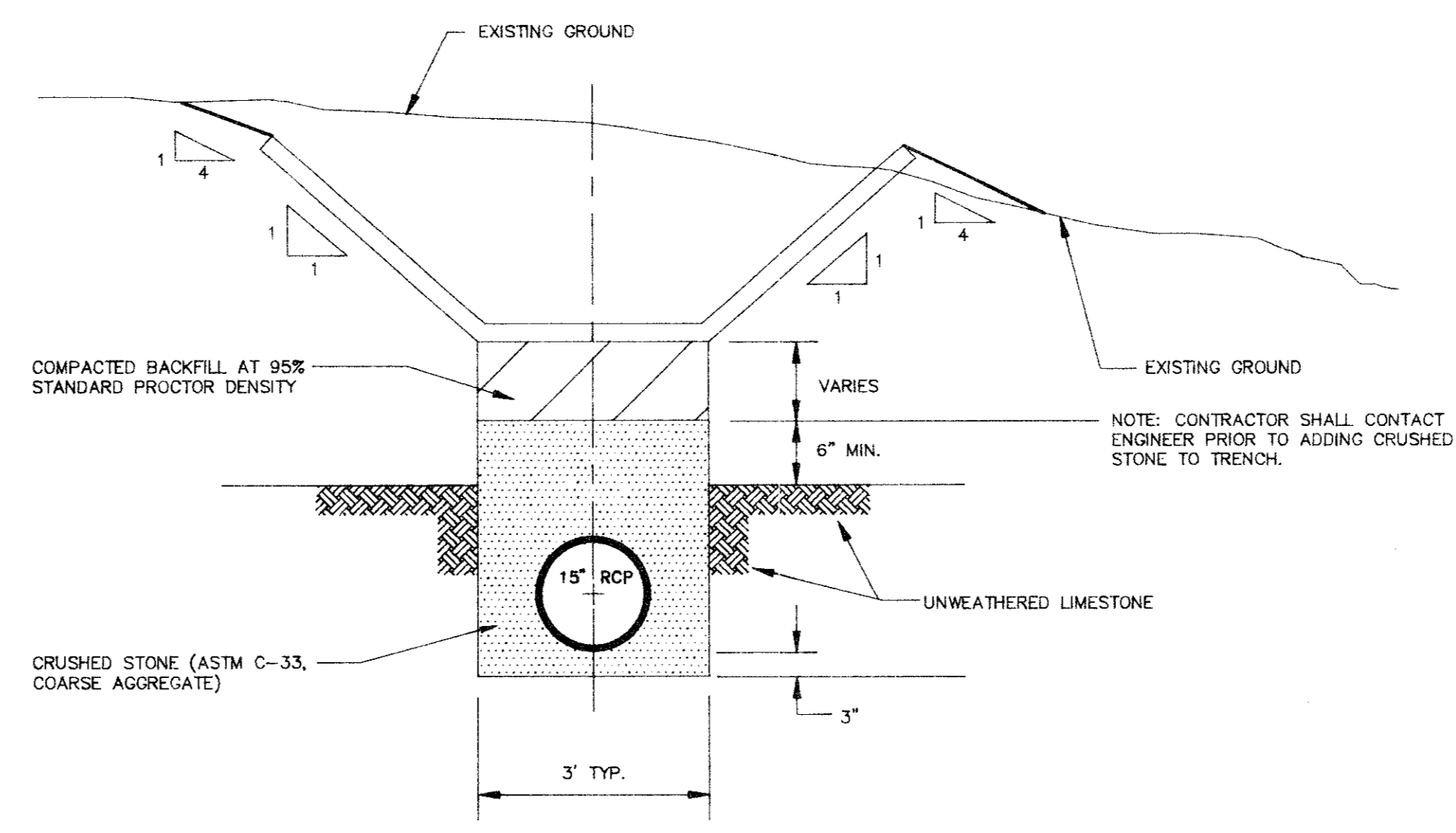
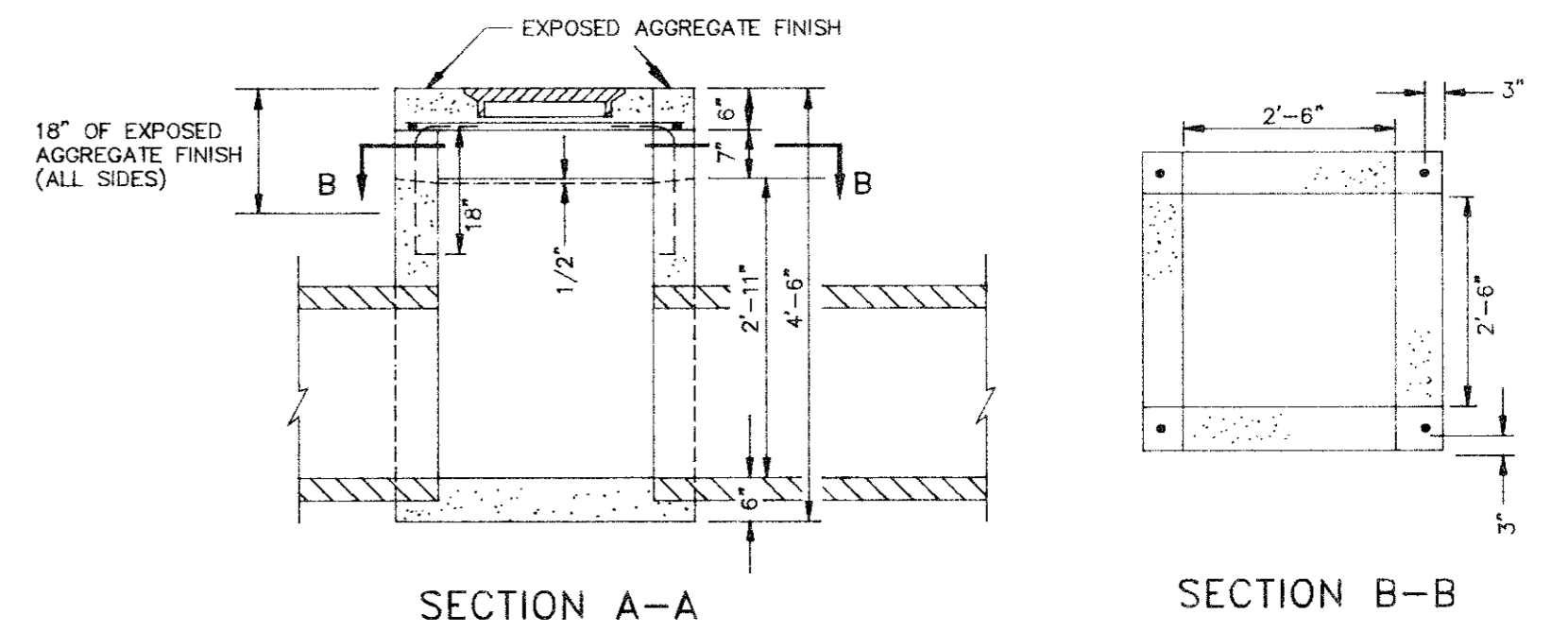


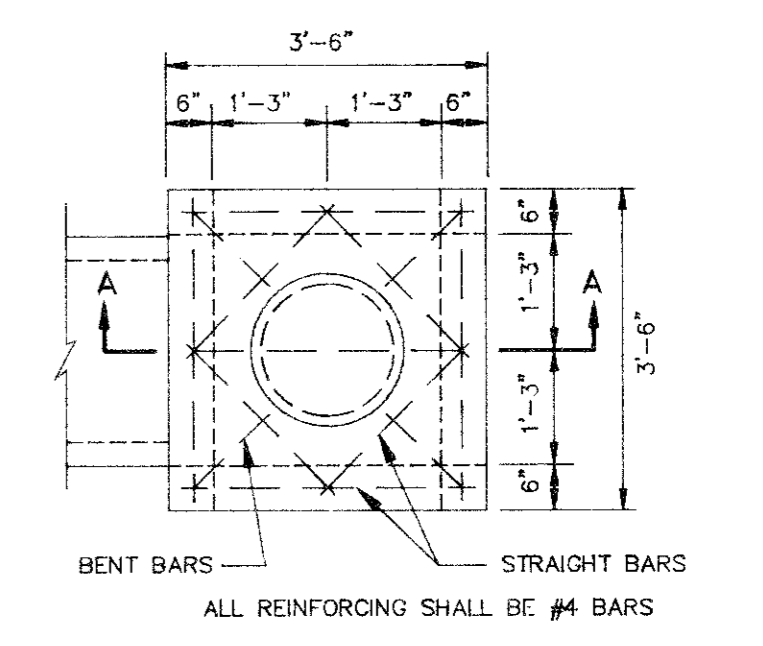
CONCRETE PAVEMENT & SIDEWALK REPLACEMENT DETAIL
N.T.S.



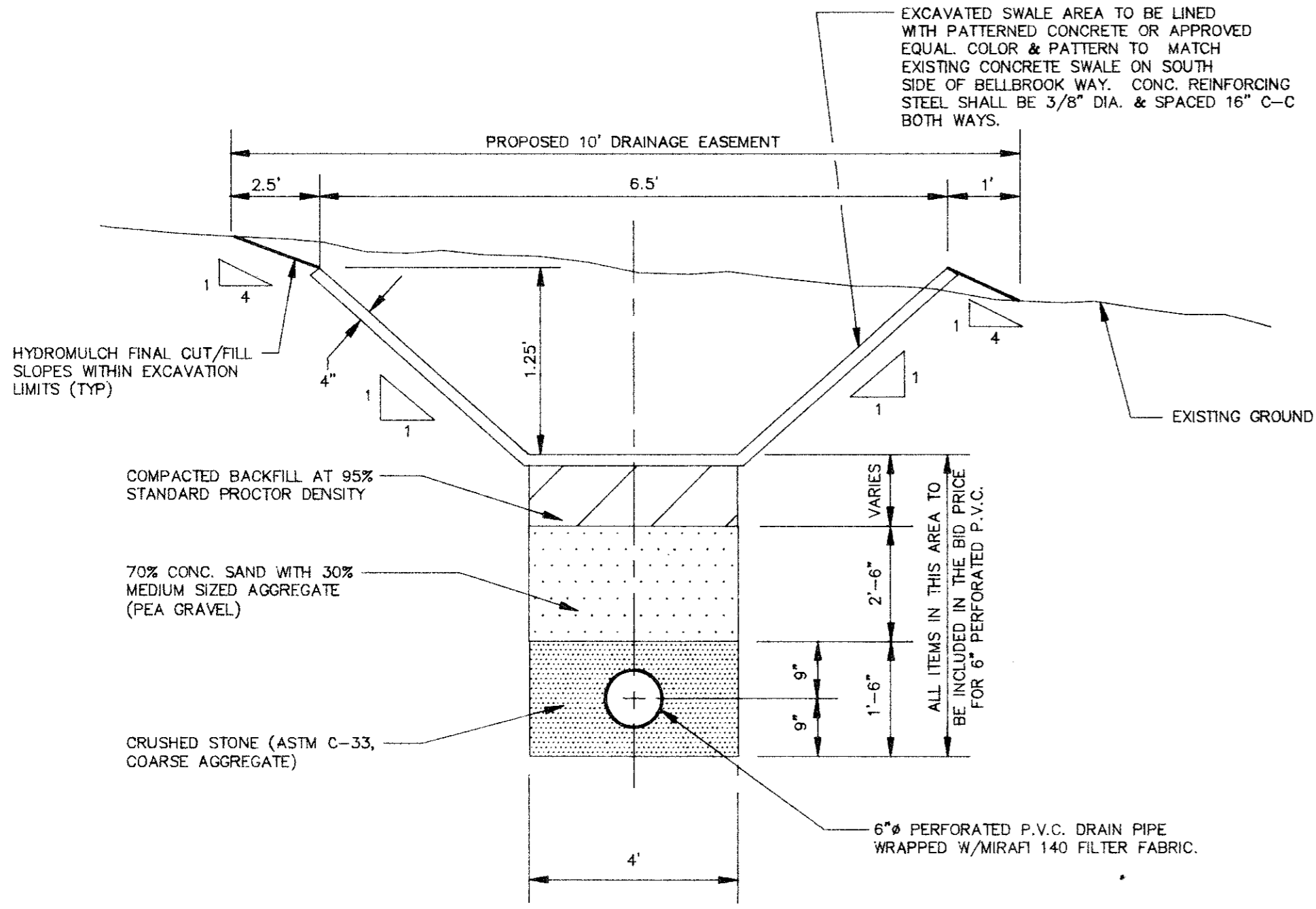
15" RCP AND SPECIAL EMBEDMENT TYPE B
(FROM STA. 2+25 TO STA. 3+39 LINE 'A')
N.T.S.



SECTION A-A SECTION B-B



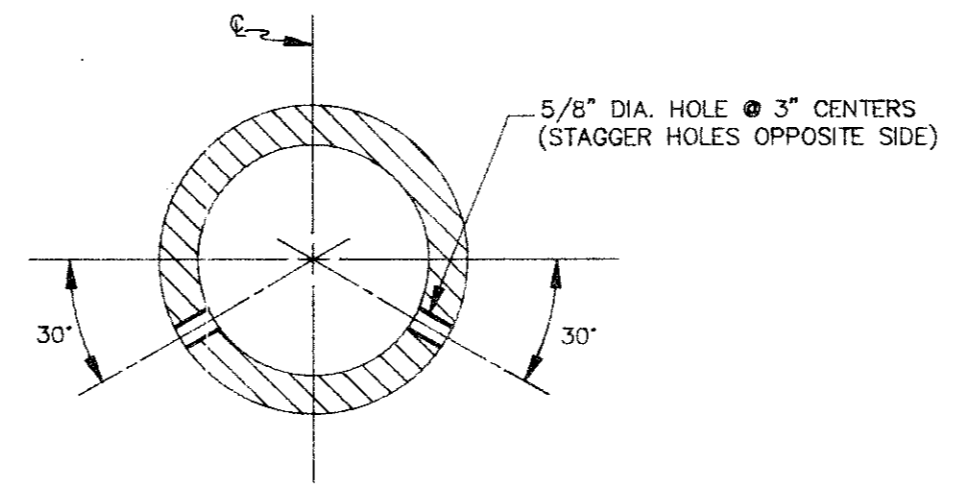
SPECIAL 'Y' INLET DETAIL
N.T.S.



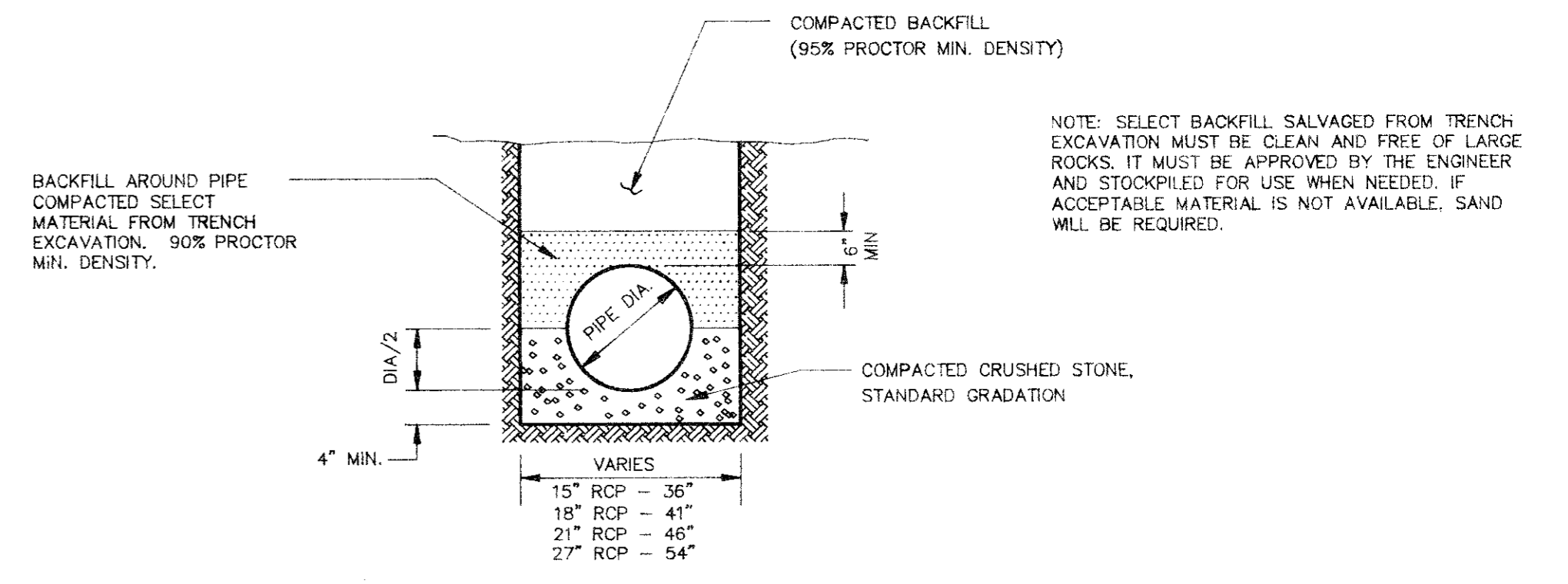
SWALE AND FRENCH DRAIN TYPICAL SECTION
N.T.S.

NOTES:

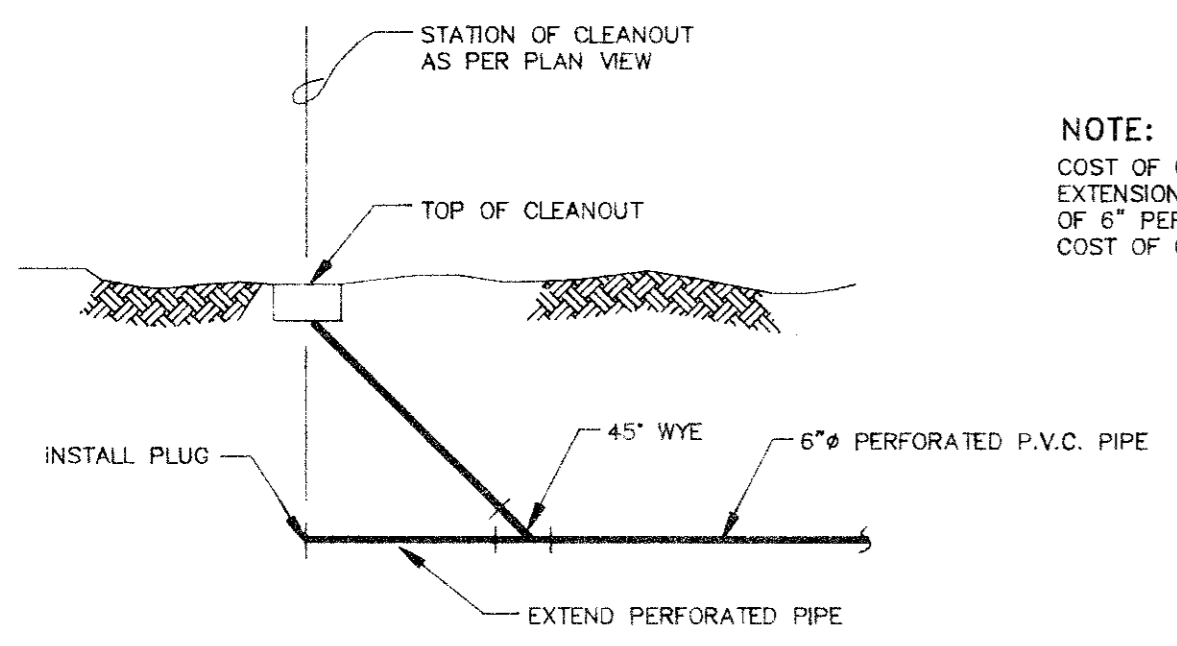
- P.V.C. PIPE SHALL BE SCHEDULE 80 WITH SOLVENT WELDED COUPLING JOINTS.
- CONTRACTOR SHALL PROVIDE AND MAINTAIN ADEQUATE DEWATERING EQUIPMENT TO REMOVE AND DISPOSE OF ALL SURFACE AND GROUND WATER ENTERING EXCAVATIONS, TRENCHES OR OTHER PARTS OF THE WORK. NO SEPARATE PAY ITEMS SHALL BE PROVIDED.
- BACKFILL MATERIAL OVER AND AROUND THE P.V.C. PIPE SHALL BE LIGHTLY HAND TAMPED.



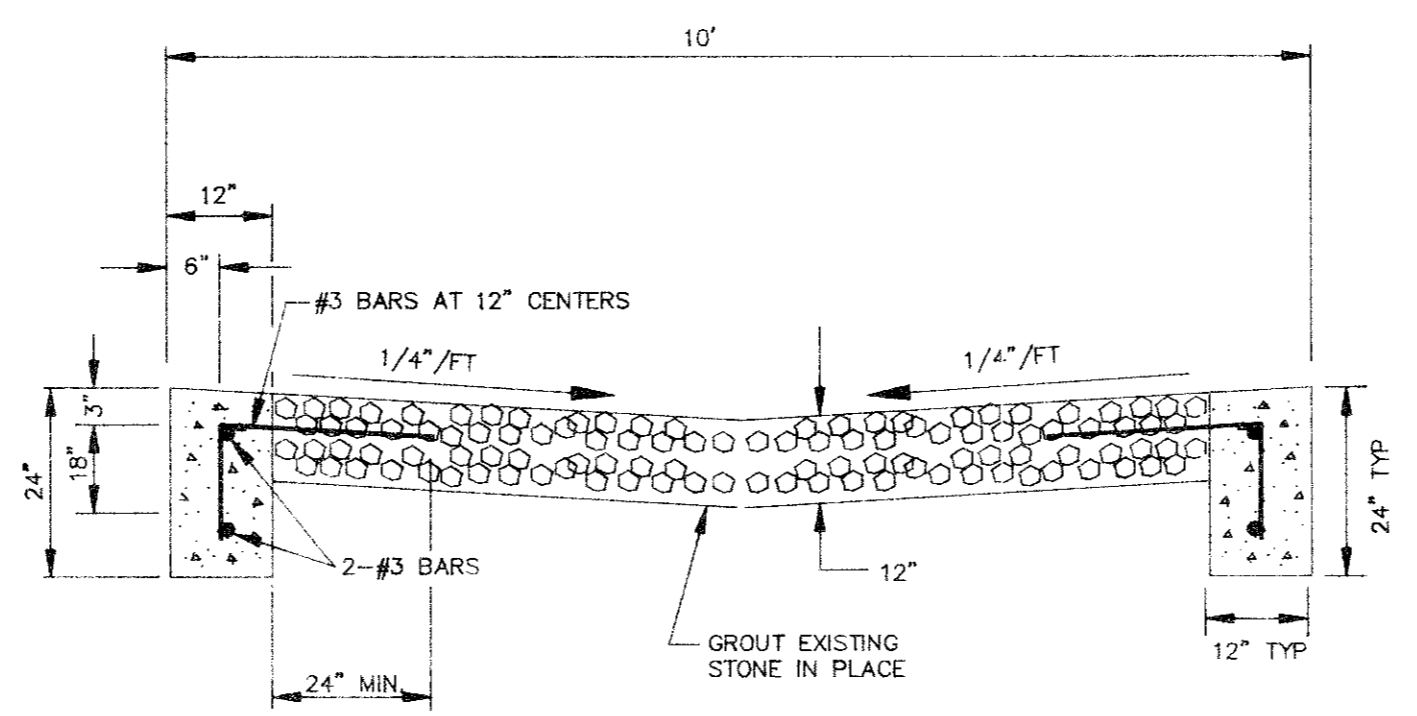
PERFORATED P.V.C. PIPE DETAIL
N.T.S.



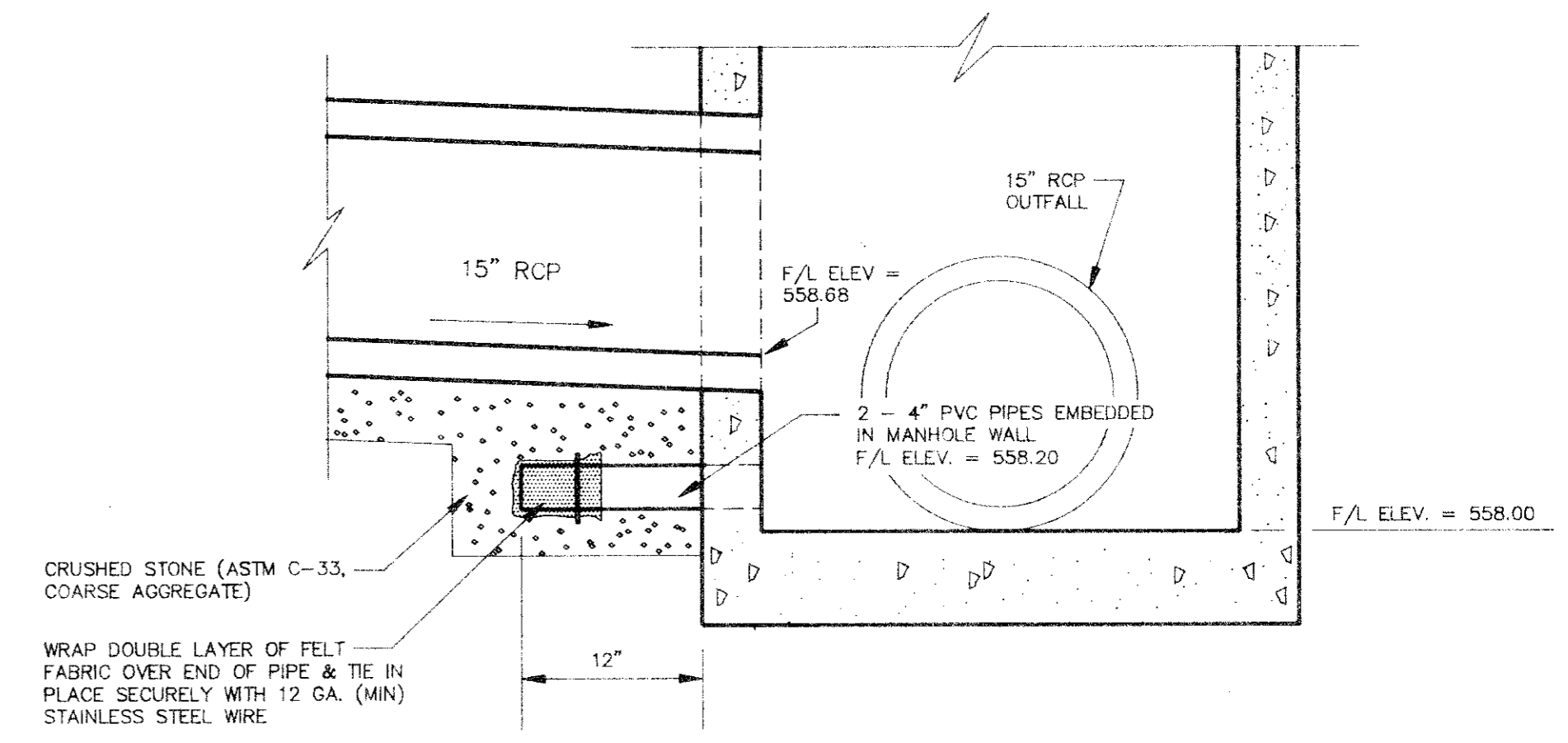
CLASS III RCP PIPE INSTALLATION W/EMBEDMENT
N.T.S.



FRENCH DRAIN CLEANOUT DETAIL
N.T.S.



GROUTED RIP RAP DETAIL
N.T.S.



SPECIAL MANHOLE DETAIL
N.T.S.

NO.	REVISION	BY	DATE

DESIGNED BY J. WALDBAUER
DRAWN BY C. PARKER
CHECKED BY B. CHAIT
SCALE: NOT TO SCALE
DATE: JULY

Waldbauer
8/1/91

eh ESPEY, HUSTON & ASSOCIATES, INC.
Engineering & Environmental Consultants
17811 Waterview Parkway Dallas, Texas 75252
(214) 669-9600

CONSTRUCTION DETAILS
WINNWOOD/BELLBROOK DRAINAGE
PHASES 2 AND 3
for
THE TOWN OF ADDISON

SHEET NO. 6
OF 6 SHEETS
JOB NO. 13404