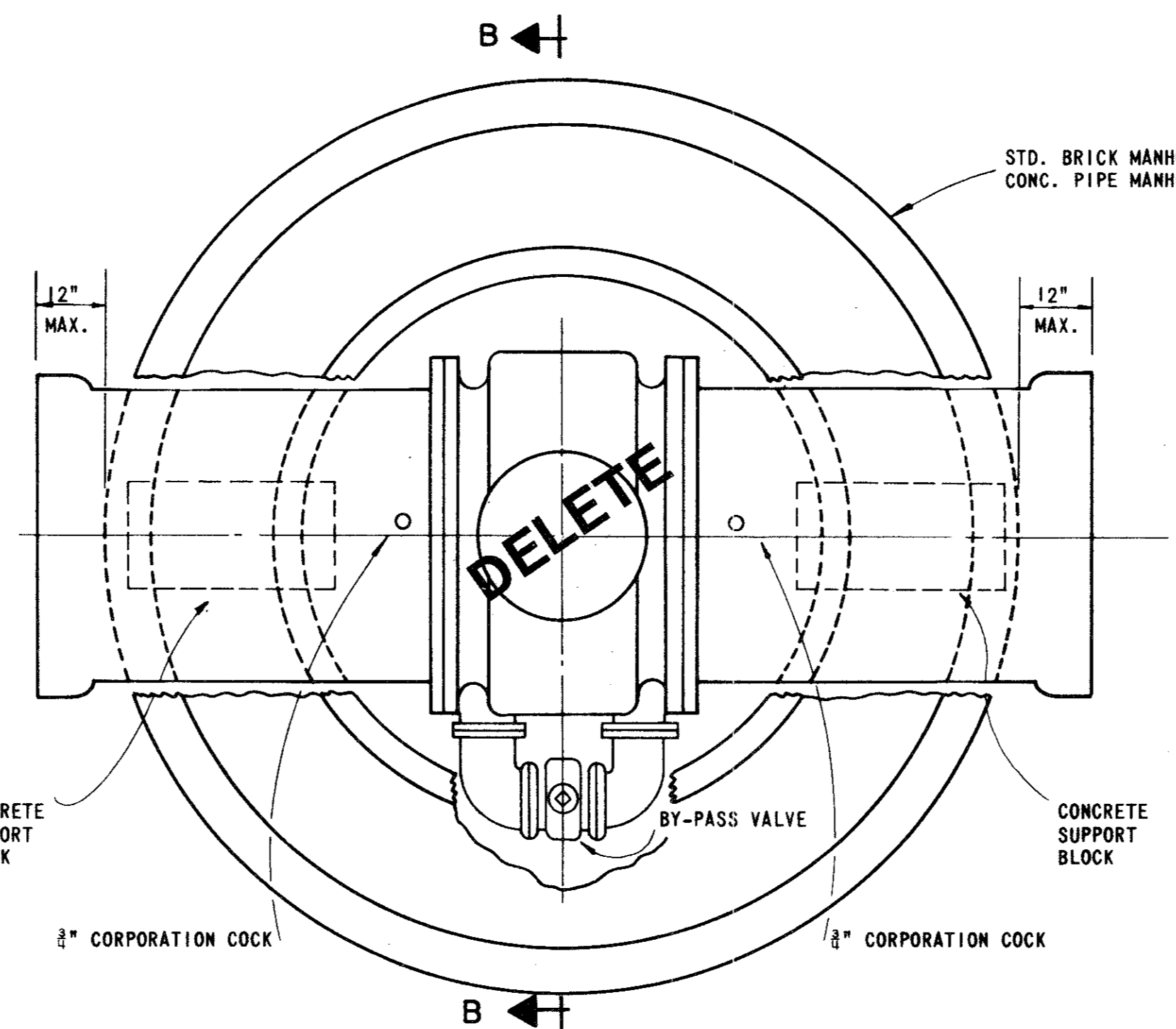
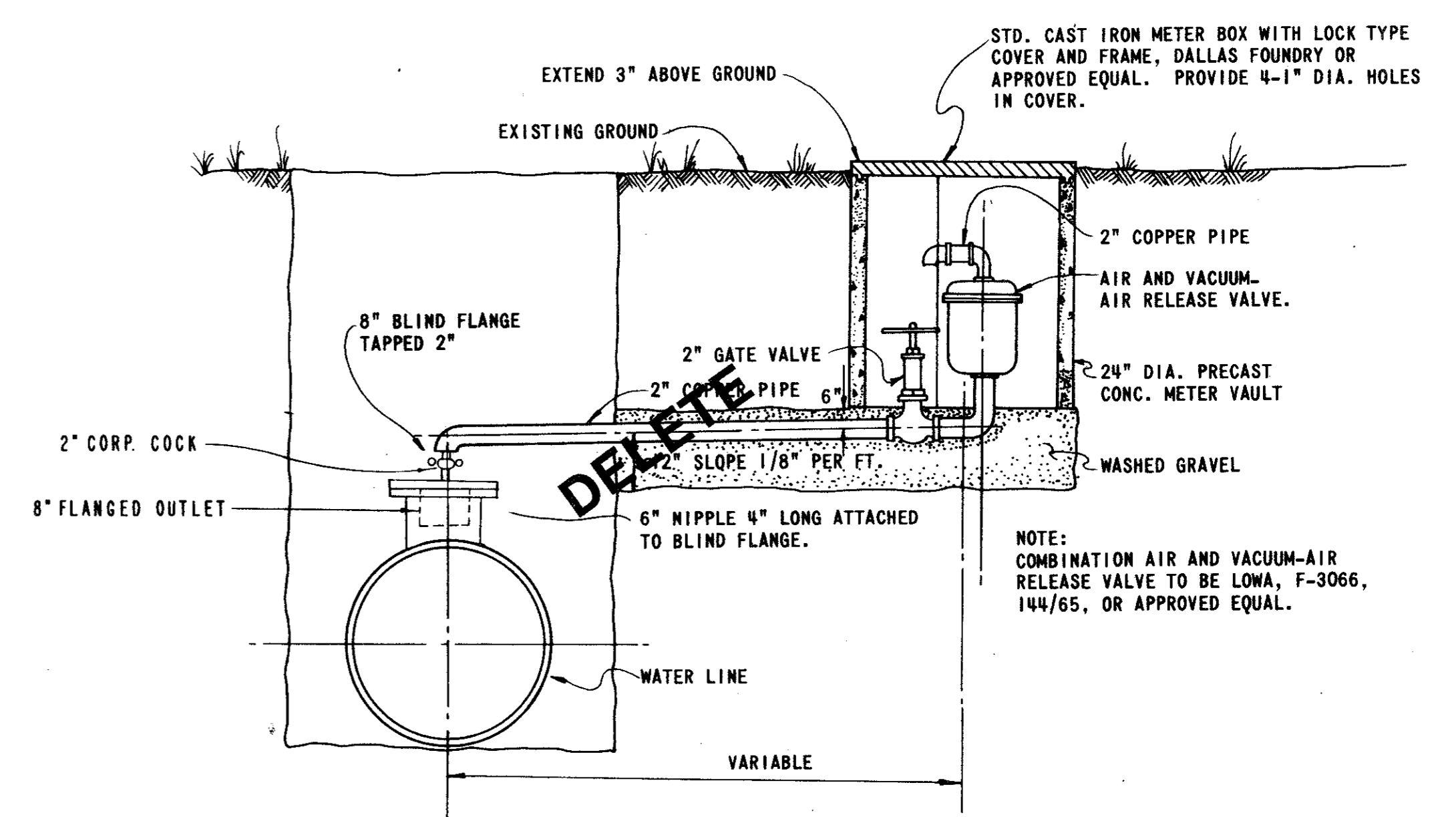


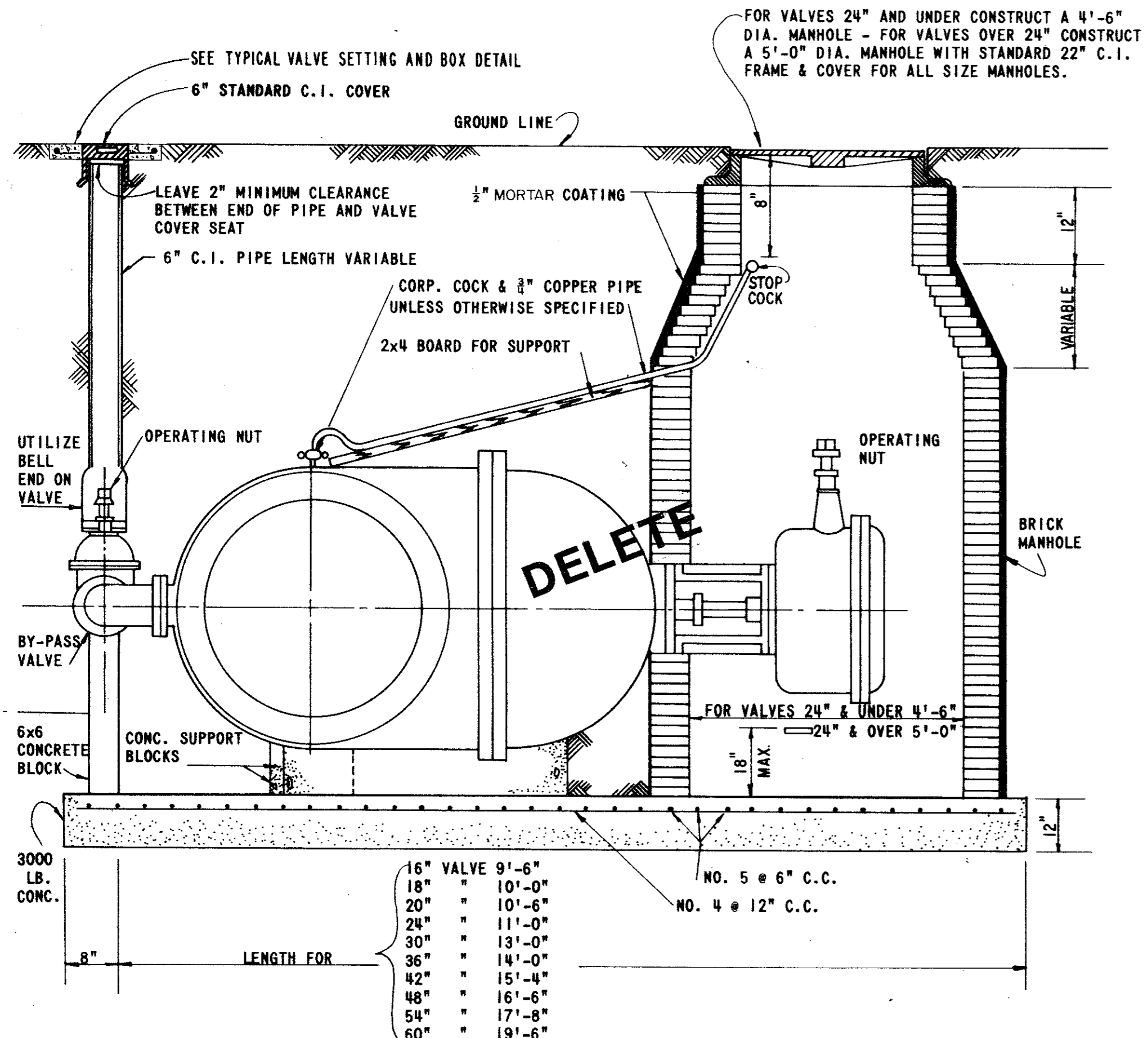
PLAN



PLAN

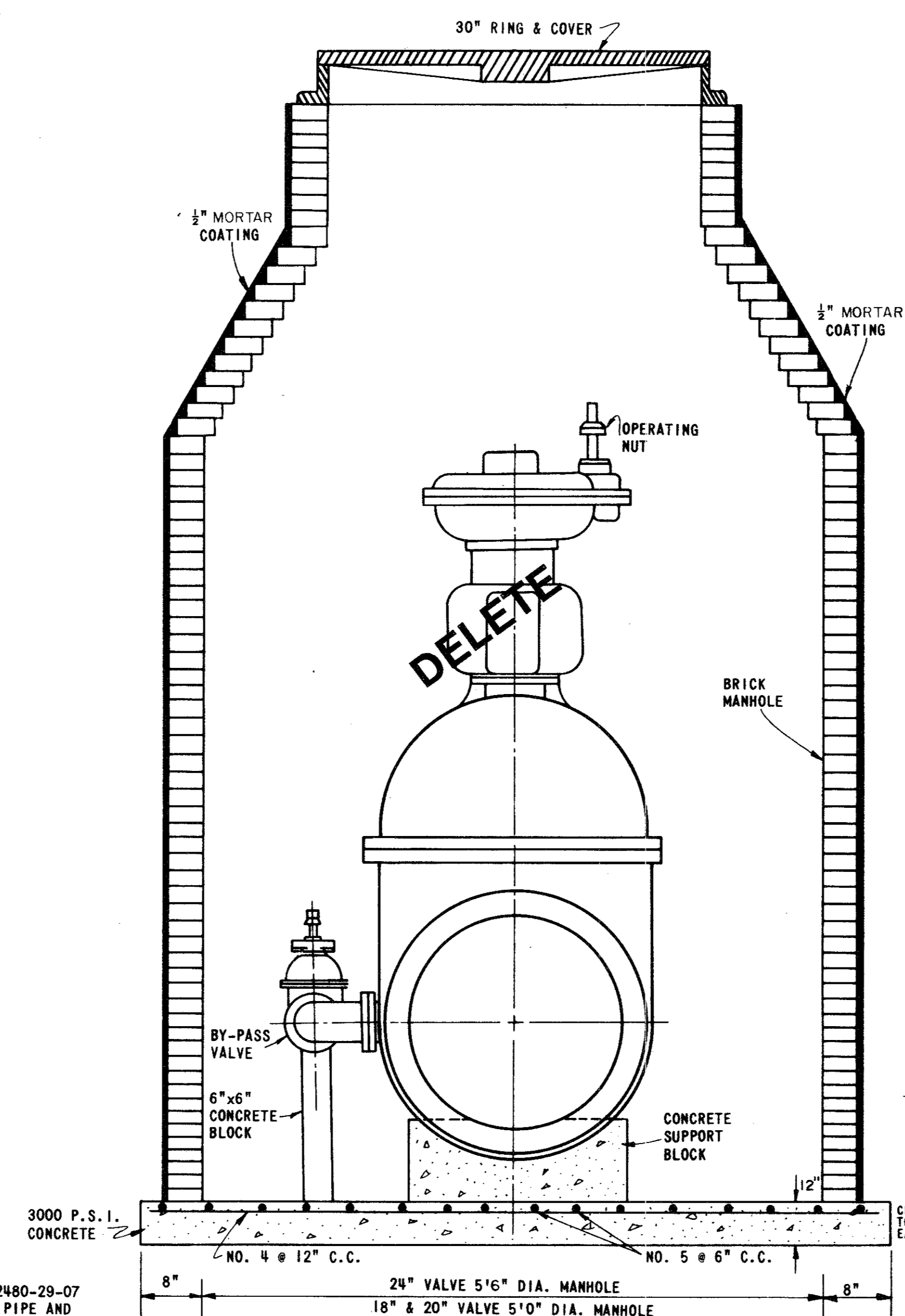


TYPICAL AIR AND VACUUM-AIR RELEASE VALVE INSTALLATION



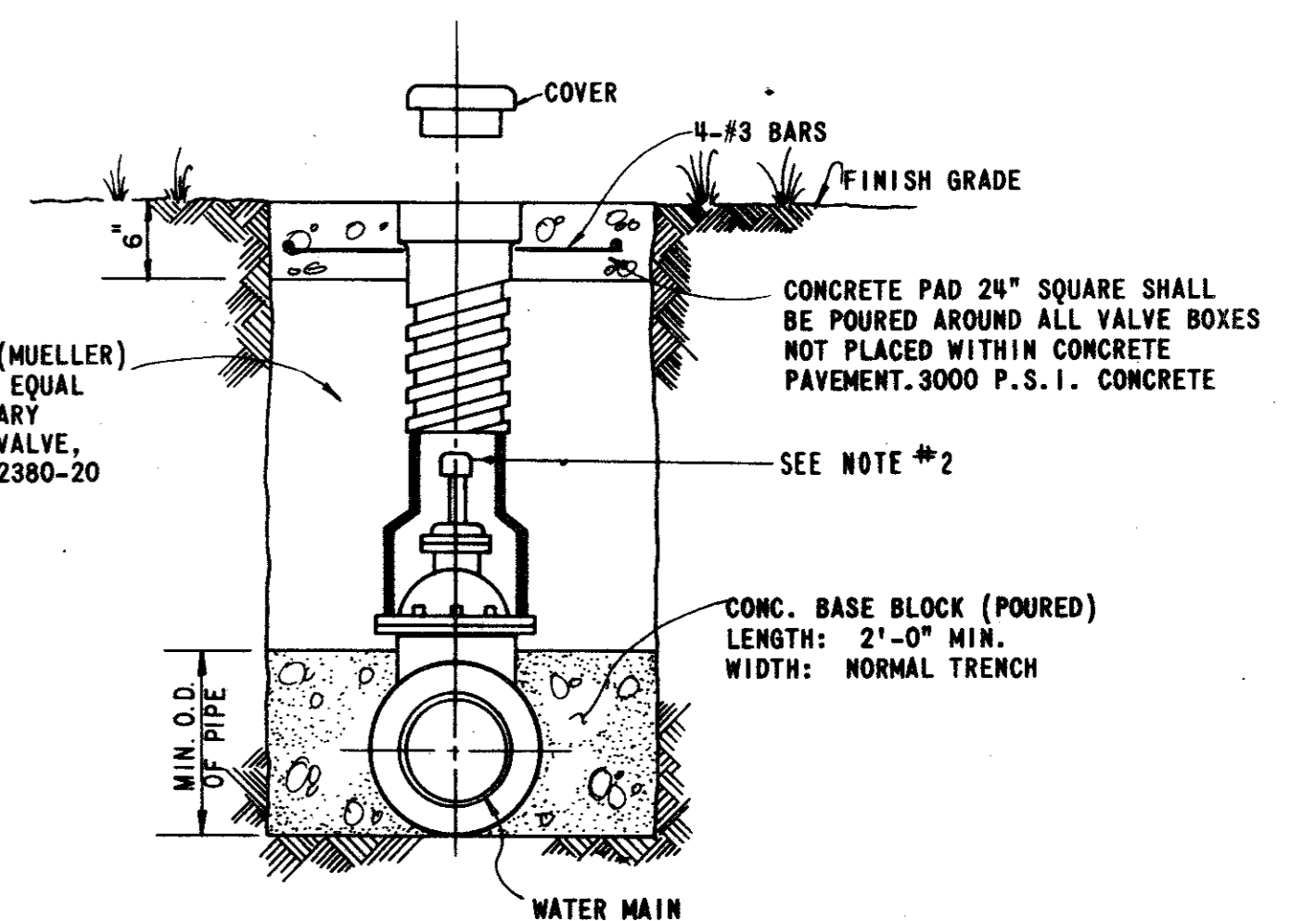
SECTION A-A

HORIZONTAL VALVE INSTALLATION

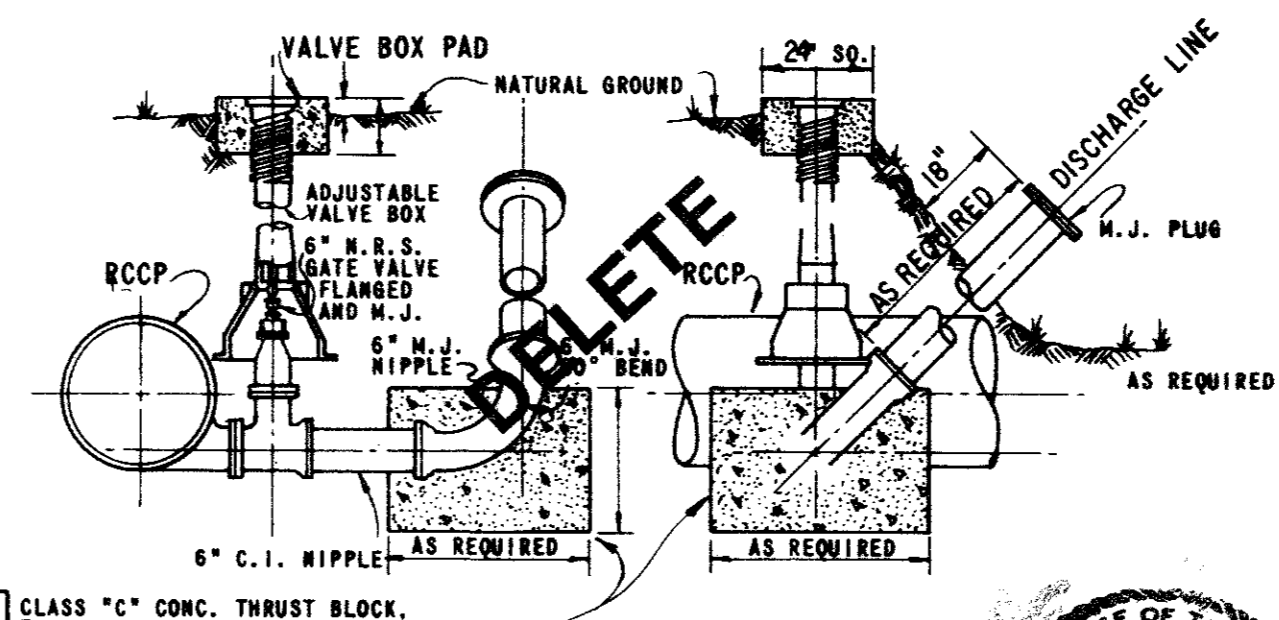


SECTION B-B

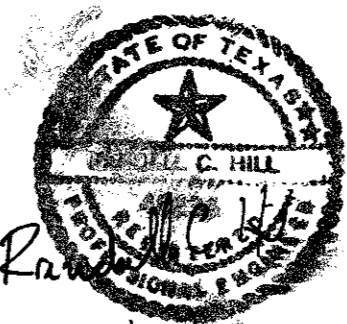
VERTICAL VALVE INSTALLATION



TYPICAL VALVE SETTING AND BOX



BLOW OFF VALVE DETAIL



RECORD DRAWING

NO.	REVISION	BY	DATE
TOWN OF ADDISON, TEXAS DEPARTMENT OF ENGINEERING			
STANDARD CONSTRUCTION DETAILS WATER			
VALVES			
APPROVED _____			H. WAYNE GINN, P.E.
DATE MARCH, 1984			SHEET SD-15