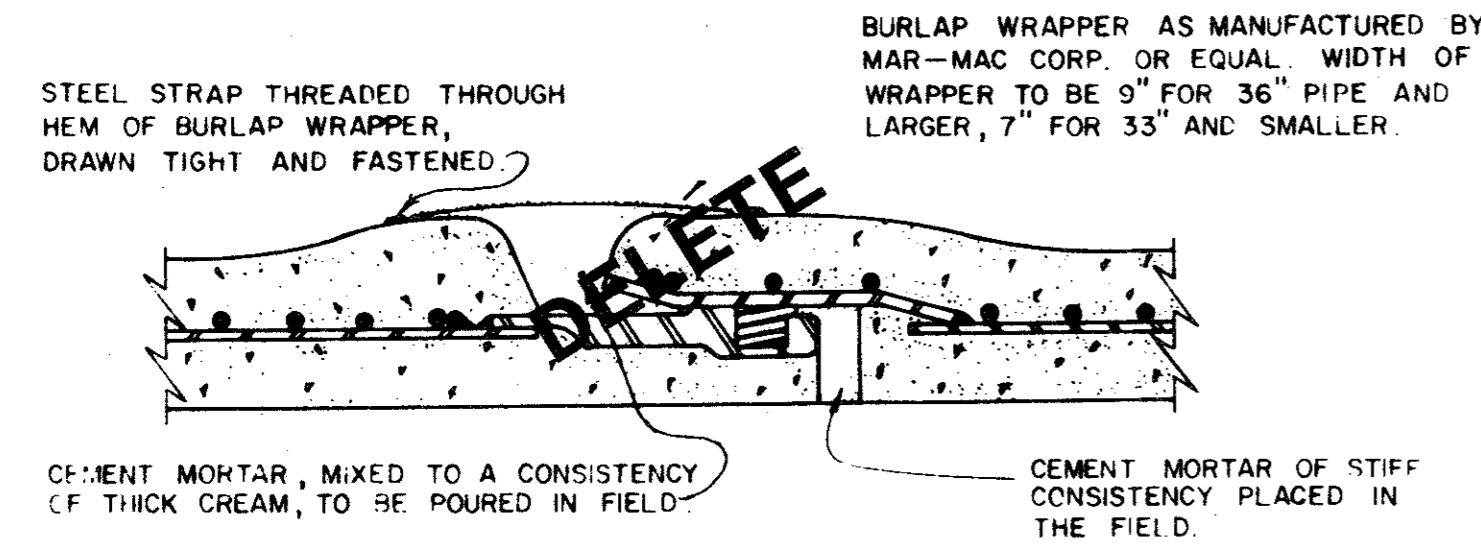


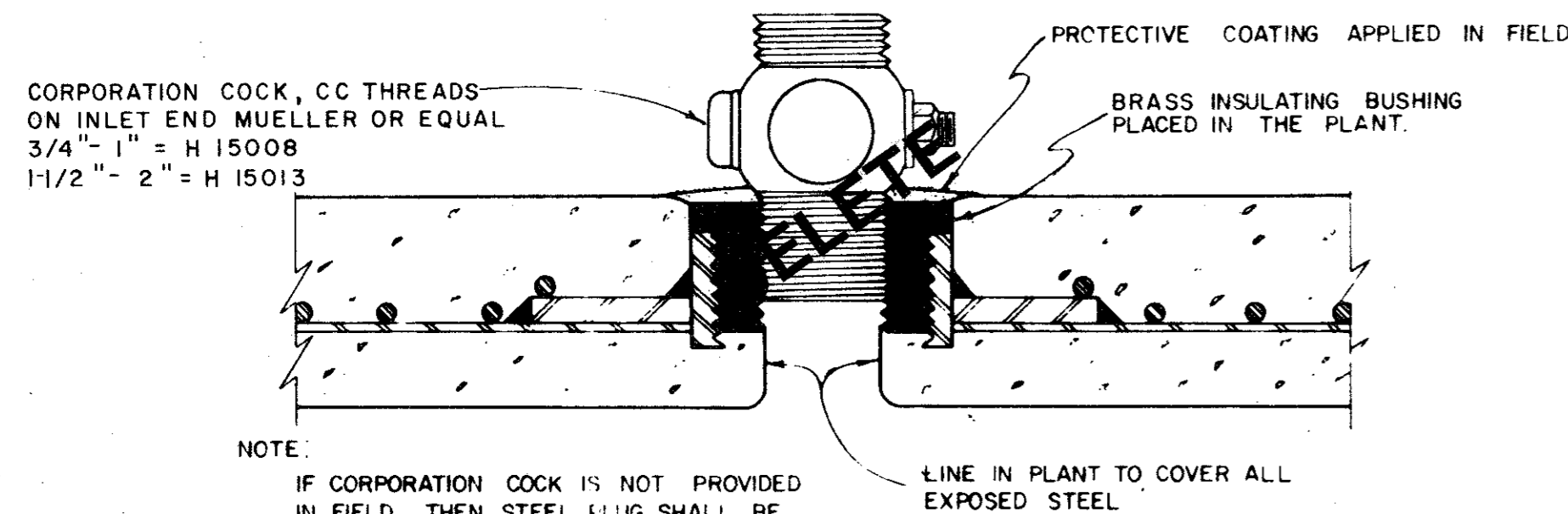
NOTE:

PROVIDE 1" MINIMUM THICKNESS CONCRETE OR CEMENT MORTAR COATING IN THE FIELD FOR THE PROTECTION OF ALL EXPOSED STEEL SUCH AS FLANGES, CAULKED JOINTS, THREADED OUTLETS, CLOSURES, ETC. THE CEMENT MORTAR USED SHALL CONSIST OF ONE PART PORTLAND CEMENT TO TWO AND ONE-HALF PARTS OF FINE, SHARP (PLASTER) SAND. WHERE SHOWN, COATING IS TO BE REINFORCED WITH WIRE MESH.



STANDARD RUBBER GASKET JOINT

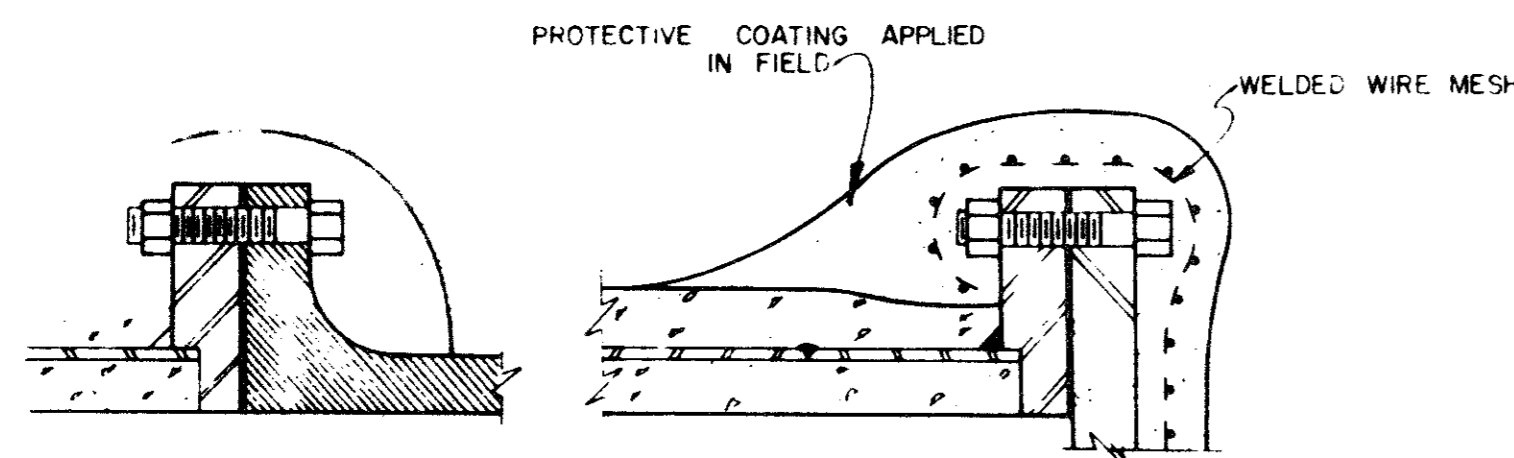
NOTE: ALL CLOSURE SECTIONS SHALL BE FABRICATED WITH HAND HOLES TO ALLOW WIPING INSIDE OF JOINTS AFTER CLOSURE IS IN PLACE.



THREADED CONNECTION

NOTE:

IF CORPORATION COCK IS NOT PROVIDED IN FIELD, THEN STEEL PLUG SHALL BE COVERED WITH CEMENT MORTAR.

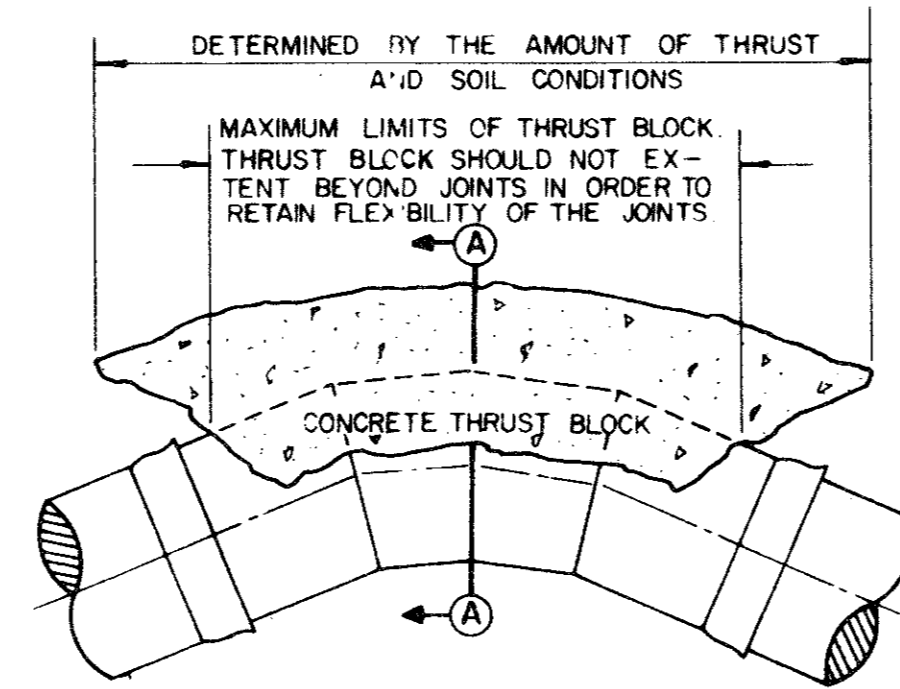


FLANGED CONNECTIONS

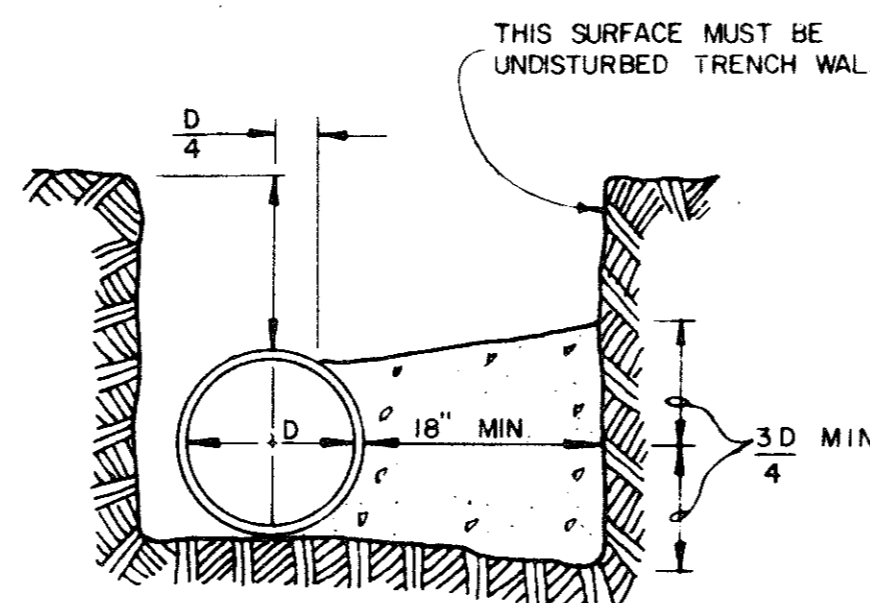
REINFORCED CONCRETE CYLINDER PIPE DETAILS

NOTE:

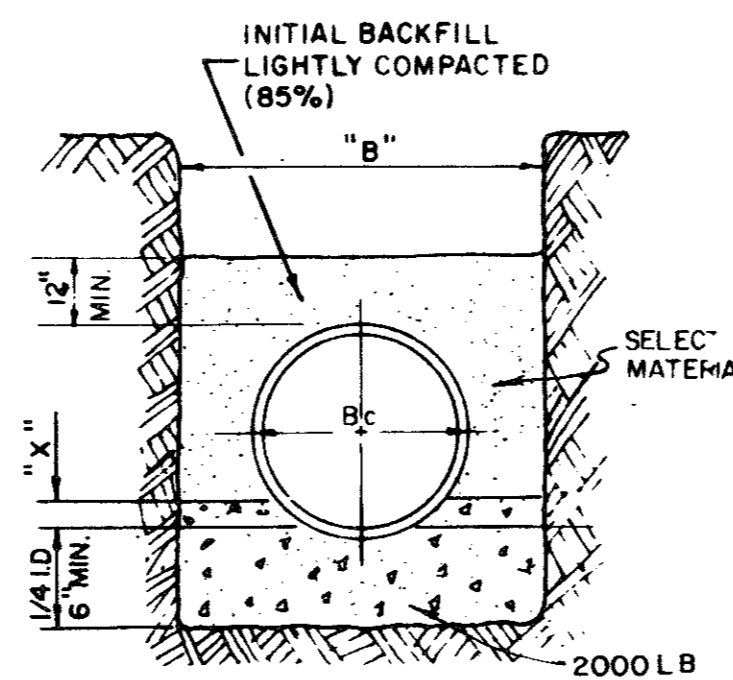
ANY SURFACE RECEIVING A CEMENT MORTAR COATING SHALL BE THOROUGHLY CLEAN AND WETTED WITH WATER JUST PRIOR TO PLACING THE CEMENT MORTAR COATING. AFTER PLACEMENT, CARE SHALL BE TAKEN TO PREVENT CEMENT MORTAR COATING FROM DRYING OUT TOO RAPIDLY BY COVERING WITH DAMP EARTH OR BURLAP. CEMENT MORTAR COATING SHALL NOT BE APPLIED DURING FREEZING WEATHER.



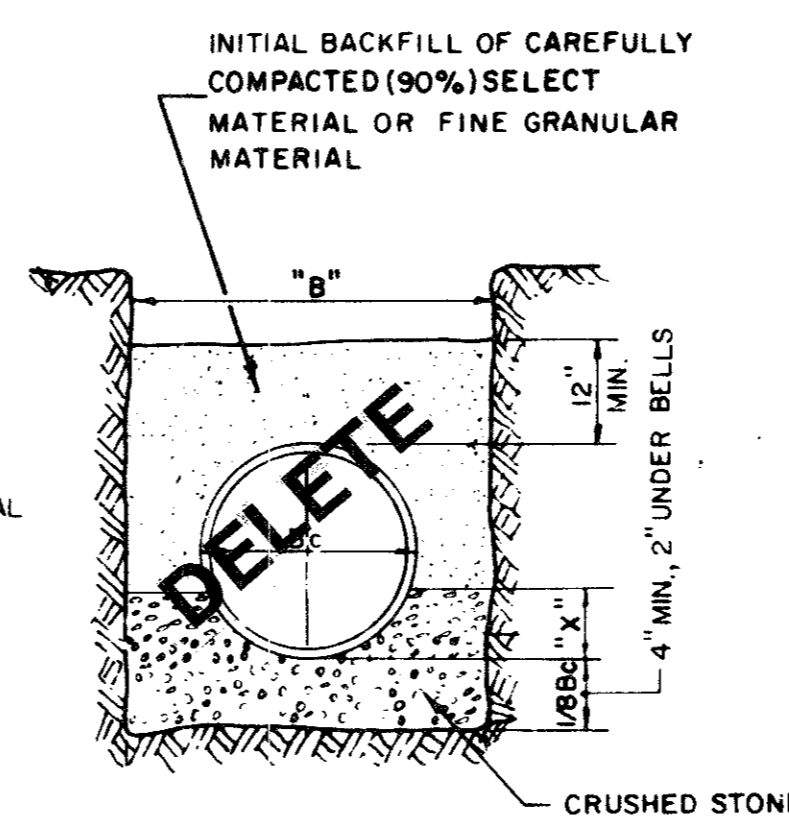
PLAN VIEW



THRUST BLOCK DETAIL

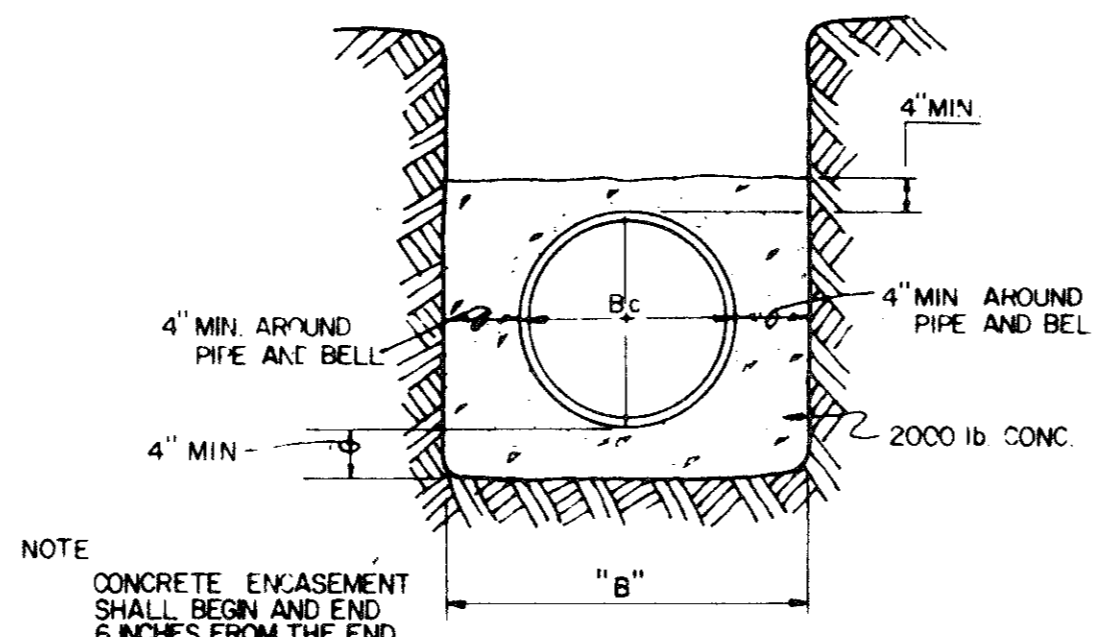


CONCRETE CRADLE



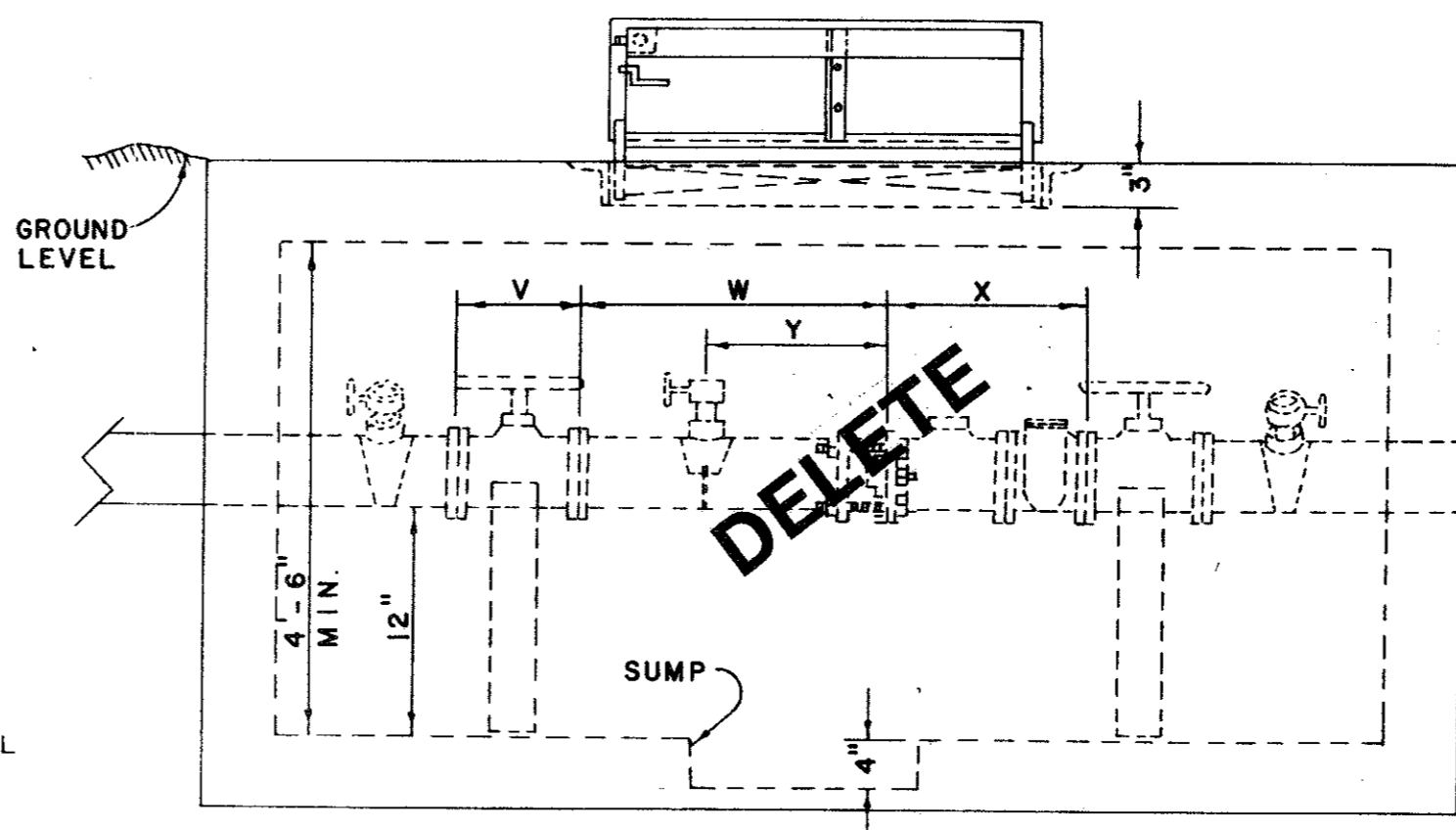
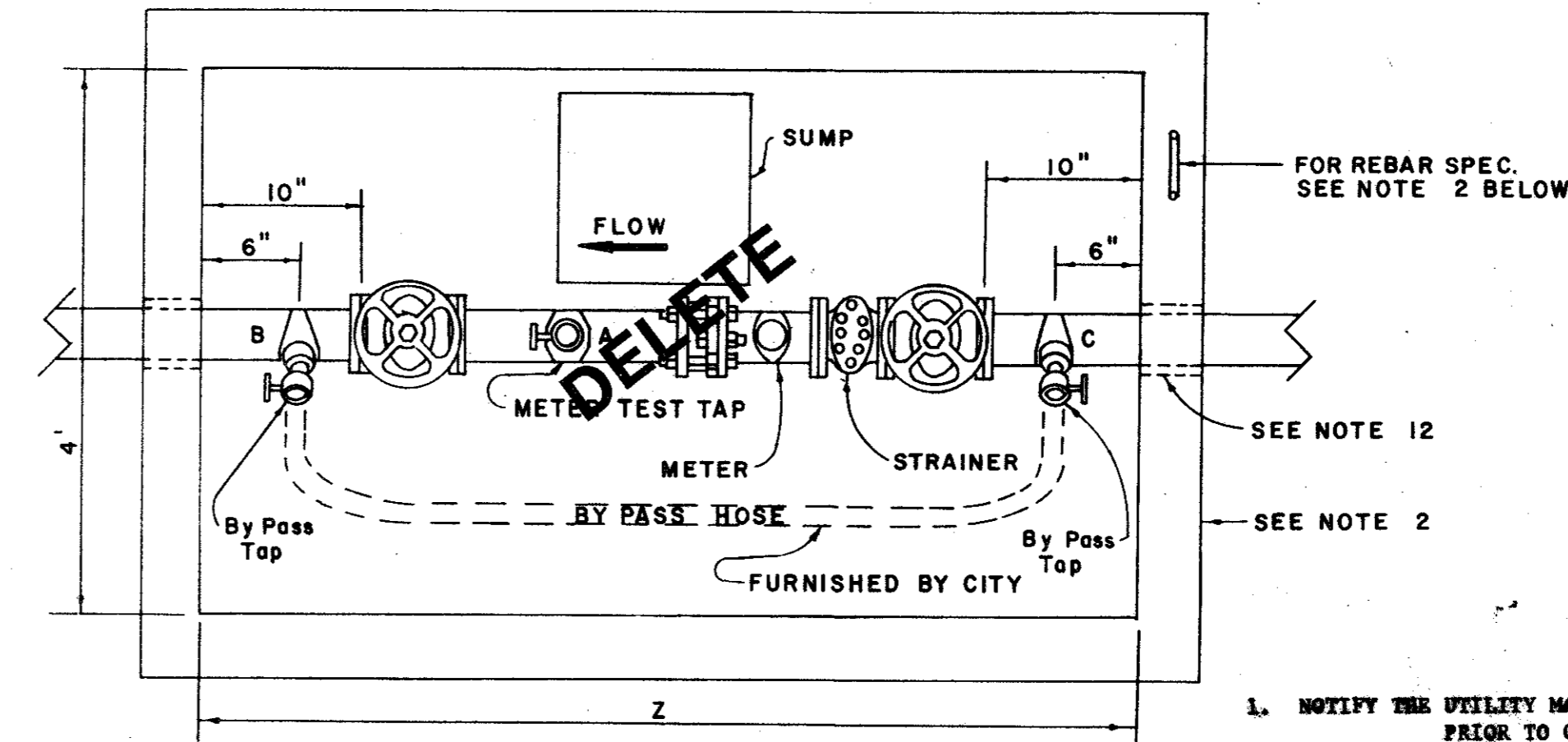
CLASS "1" EMB.

EMBEDMENT DETAILS



NOTE: CONCRETE ENCASEMENT SHALL BEGIN AND END 6 INCHES FROM THE END OF A JOINT

CONCRETE ENCASEMENT

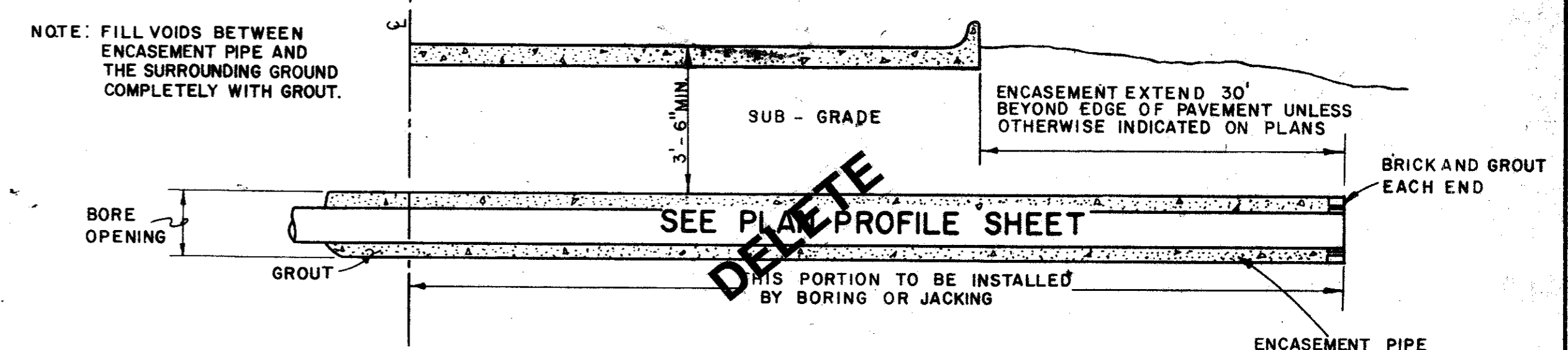


DIMENSION FOR 3", 4", & 6" M.V.

DIMENSION	METER VAULT SIZES		
	3"	4"	6"
V	8"	10.5"	18"
W	20"	23"	27"
X	9"	9"	12"
Y	6'-1"	7'	7'-5"

METER VAULT & BY-PASS SPECIFICATIONS

- NOTIFY THE UTILITY MAINTENANCE DEPARTMENT PRIOR TO CONSTRUCTION OF VAULT OR BY-PASS ASSEMBLY.
- THE METER VAULT CAN BE EITHER POURED IN PLACE OR PREFABRICATED. CONCRETE SHALL BE 6" THICK AND BE 3000 PSI REINFORCED WITH #4 STEEL BARS ON 12" CENTERS EACH WAY IF THE VAULT IS POURED IN PLACE. PREFABRICATED VAULTS SHALL BE 4" THICK AND BE 4500 PSI CONCRETE #4 STEEL BARS ON 8" CENTERS. THESE ARE MINIMUM SPECIFICATIONS.
- THE VAULT WILL NOT BE PUT IN ANY DRIVE OR PARKING AREAS AND MUST BE LOCATED IN A UTILITY EASEMENT.
- A DRAWING WITH THE EXACT MEASUREMENTS OF THE METER VAULT AND BY-PASS WILL BE GIVEN TO THE CONTRACTOR FOR A 3", 4" and 6" METER.
- THE VAULT LID SHALL BE A BELLO LID, TYPE Q-4 SINGLE LEAF DESIGN. ANGLE FRAME IS 4" STEEL WITH STRAP ANCHORS BOLTED TO THE EXTERIOR. THE LEAF IS 1/2" STEEL DIAMOND PATTERN PLATE, PIVOTING ON TONSON BARS FOR EASY OPERATION. THE MINIMUM LIVE LOAD CAPACITY IS 150 LBS. PER SQUARE FOOT. THE SIZE OF THE LID IS 3'x3'.
- THE LID SHALL BE PAINTED WITH 43-36 TYPING DIFFERENT ALUMINUM PAINT OR APPROVED EQUAL.
- CONTRACTOR SHALL MAKE 3 TAPS INSIDE THE VAULT. TAP A MUST BE AT LEAST TWO PIPE DIAMETERS DOWNSTREAM OF METER AND MUST BE 2". TAPS B & C MUST BE MADE AT APPROXIMATELY 45° ANGLE ON EACH END OF THE PIPING BEFORE IT INTERSECTS THE WALL. CONTRACTOR SHALL FURNISH MUELLER NO. 8-10499 FOR 3"x2", MUELLER NO. 8-10604 FOR 4"x2", AND MUELLER NO. 8-10508 FOR 6"x2", OR APPROVED EQUAL SERVICE TAPPLERS, BRASS TAPPLERS AND NO. 7500 GREG BRASS OR APPROVED EQUAL GATE VALVES.
- THE STRAINER, METER, AND FURNISHING COUPLERS WILL BE PROVIDED AND INSTALLED BY THE TOWN OF ADDISON AT THE CONTRACTOR'S EXPENSE.
- THE STRAINER, METER AND FURNISHING COUPLERS WILL NOT BE SET UNTIL THE METER VAULT AND TAPS ARE ACCEPTED BY THE TOWN OF ADDISON, UTILITY MAINTENANCE DEPARTMENT.
- THE GATE VALVES ARE REQUIRED TO BE MODEL A-2370-2 FLANGED EIGHT-PORT GATE VALVES.
- THE BOTTOM OF THE METER VAULT MUST BE 4" THICK CONCRETE WITH A MIN. OF 11" CENTER TO CENTER 4" x 4" REINFORCING BARS UNDER THE VAULT. A 3" x 3" x 12" DEEP AND 1" IN DIAMETER SHALL BE INSTALLED TO ONE SIDE OF THE CENTER OF THE BOTTOM SLAB. IF PREFABRICATED IN FIELD WHEN THE JOINT JOINS THE TRENCH, A LATER 4" x 4" x 12" SHALL BE USED TO SEAL THE JOINT.
- CONTRACTOR SHALL HAVE A CHOICE OF EITHER HAVING A LINE SHAL UNL STOVE MODEL NO-2-32-B-4 FOR A 3" DIA. PIPE, NO-2-32-B-4 OR NO-19-37-B-2" FOR 2" PIPE CAST IN THE VAULT OR HAVE THE VAULT WALL GORED BEFORE INSTALLATION OF VAULT AND PIPING. IN EITHER CASE, A LINE SHAL MODEL NO. 12-408-C MUST BE USED TO SEAL THE ANGULAR SPACE BETWEEN THE PIPE AND WALL OPENING. BRASS OR OF THE WALL WITH A MINIMUM OF 4" IS PERMITTED.
- UNDER EACH VALVE WILL BE A CONCRETE SUPPORT.
- DEPTH OF VAULT SHALL BE A MINIMUM OF 4' FEET.



HALF-SECTION TYPICAL HIGHWAY CROSSING NO SCALE

NOTE: ENCASEMENT PIPE MAY BE ELIMINATED FOR CITY STREETS.

TABLE OF QUANTITIES OF MATERIALS IN CUBIC YARDS PER 100 LINEAR FEET						
INSIDE DIAMETER OF PIPE	APPROX. OUTSIDE DIAMETER OF PIPE	"X" IS A MINIMUM DEPTH	"B" TRENCH WIDTH FOR COMPUTATION OF QUANTITIES	CONCRETE		CRUSHED STONE FOR CL" EMBEDMENT
				FOR EMBEDMENT	FOR ENCASEMENT	
REINFORCED CONCRETE CYLINDER PIPE						
14"	17.25"	2.53"	34"	6.91	16.07	5.16
16"	19.38"	2.84"	36"	7.50	17.76	5.64
18"	21.78"	3.19"	38"	8.11	19.52	6.16
24"	27.75"	4.06"	44"	9.97	24.90	9.28

RECORD DRAWING

NO.	REVISION	BY	DATE
TOWN OF ADDISON, TEXAS DEPARTMENT OF ENGINEERING			
STANDARD CONSTRUCTION DETAILS WATER			
WATER PIPE DETAILS			
APPROVED		H. WAYNE GINN, P.E.	
DATE MARCH, 1984		SHEET SD-17	

