

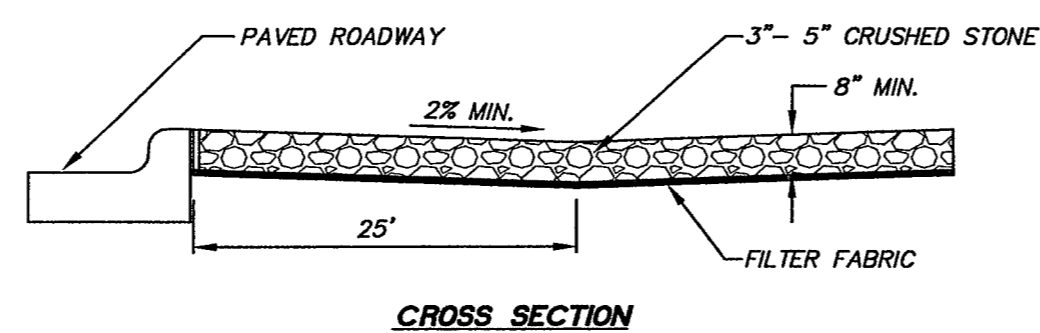
CROSS SECTION

SPECIFIC APPLICATION

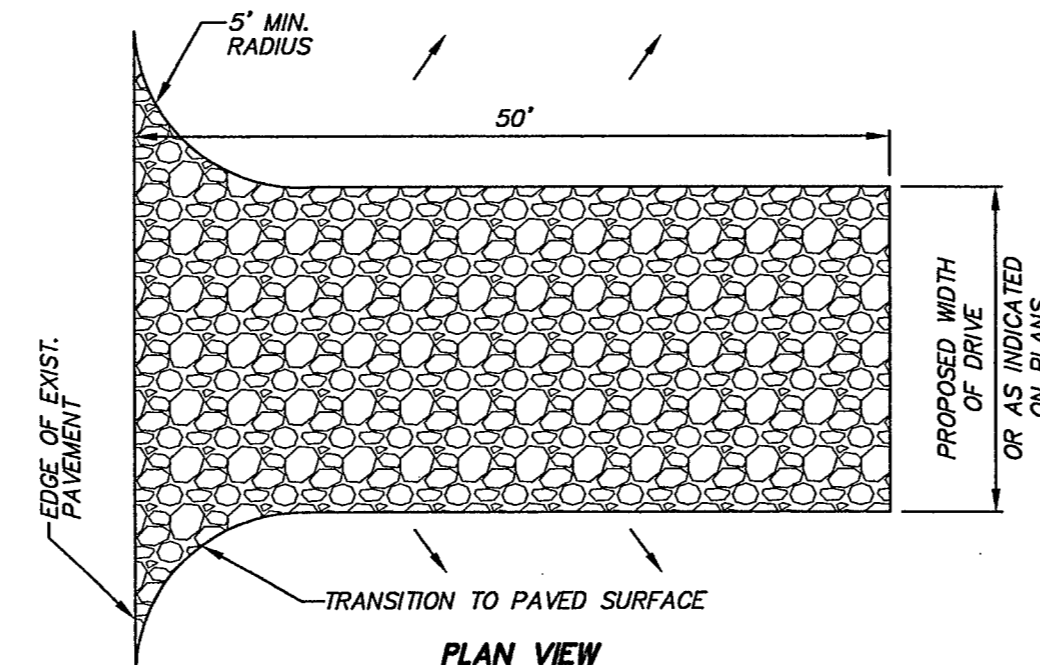
THIS METHOD OF INLET PROTECTION IS APPLICABLE WHERE HEAVY CONCENTRATION FLOWS ARE EXPECTED, BUT NOT WHERE PONDING AROUND THE STRUCTURE MIGHT CAUSE EXCESSIVE AND UNPROTECTED AREAS.

INLET PROTECTION

NOT TO SCALE



CROSS SECTION



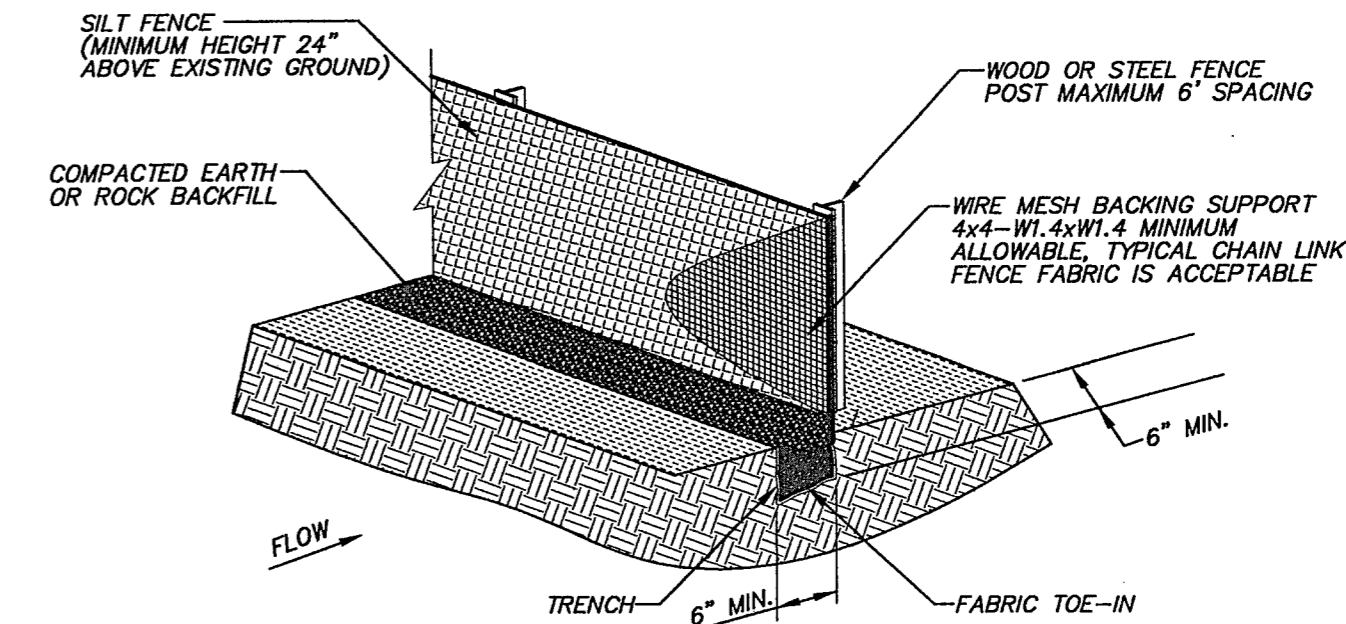
PLAN VIEW

STABILIZED CONSTRUCTION ACCESS

NOT TO SCALE

NOTES:

1. STONE SIZE: 3"-5" CRUSHED ROCK OR ACCEPTABLE CRUSHED PORTLAND CEMENT CONCRETE.
2. LENGTH: AS EFFECTIVE, BUT NOT LESS THAN 30 FEET.
3. THICKNESS: NOT LESS THAN 6".
4. WIDTH: NOT LESS THAN FULL WIDTH OF ALL POINTS OF INGRESS OR EGRESS.
5. WASHING: WHEN NECESSARY, WHEELS SHALL BE CLEANED TO REMOVE SEDIMENT PRIOR TO ENTRANCE ONTO PUBLIC ROADWAY. WHEN WASHING IS REQUIRED, IT SHALL BE DONE ON AN AREA STABILIZED WITH CRUSHED STONE WHICH DRAINS INTO AN APPROVED TRAP OR SEDIMENT BASIN. ALL SEDIMENT SHALL BE PREVENTED FROM ENTERING ANY STORM DRAIN, DITCH OR WATERCOURSE USING APPROVED METHODS.
6. MAINTENANCE: THE ENTRANCE SHALL BE MAINTAINED IN CONDITION WHICH WILL PREVENT TRACKING OR FLOWING OF SEDIMENT ONTO PUBLIC ROADWAYS. THIS MAY REQUIRE PERIODIC TOP DRESSING WITH ADDITIONAL STONE AS CONDITIONS DEMAND, AND REPAIR AND/OR CLEANOUT OF ANY MEASURES USED TO TRAP SEDIMENT. ALL SEDIMENT SPILLED, DROPPED, WASHED, OR TRACKED ONTO PUBLIC ROADWAY, MUST BE REMOVED IMMEDIATELY.
7. DRAINAGE: ENTRANCE MUST BE PROPERLY GRADED OR INCORPORATE A DRAINAGE SWALE TO PREVENT RUNOFF FROM LEAVING THE CONSTRUCTION SITE.
8. CONTRACTOR TO COORDINATE EXACT LOCATION OF THIS DETAIL.

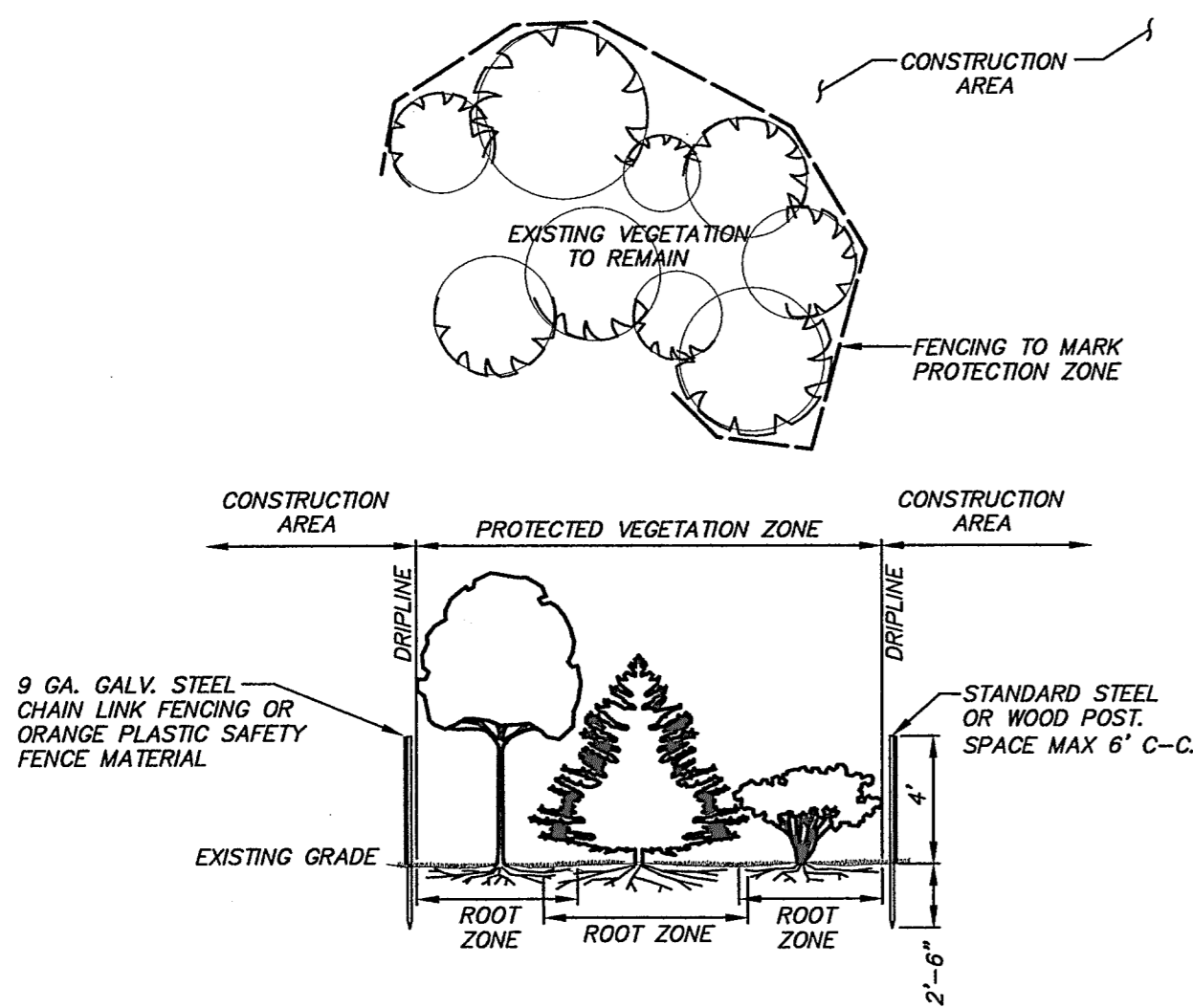


NOTE:

1. WOOD OR STEEL POSTS WHICH SUPPORT THE SILT FENCE SHALL BE INSTALLED ON A SLIGHT ANGLE TOWARD THE ANTICIPATED RUNOFF SOURCE. THE POSTS MUST BE EMBEDDED A MINIMUM OF ONE FOOT FOR STEEL OR TWO FEET FOR WOOD.
2. THE TOE OF THE SILT FENCE SHALL BE TRENCHED IN WITH A SPADE OR MECHANICAL TRENCHER, SO THAT THE DOWNSLOPE FACE OF THE TRENCH IS FLAT AND PERPENDICULAR TO THE LINE OF FLOW. WHERE FENCE CANNOT BE TRENCHED IN (E.G. PAVEMENT), WEIGHT FABRIC FLAP WITH WASHED GRAVEL ON THE UPHILL SIDE TO PREVENT FLOW UNDER FENCE.
3. THE TRENCH MUST BE A MINIMUM OF 6 INCHES DEEP AND 6 INCHES WIDE TO ALLOW FOR THE SILT FENCE FABRIC TO BE LAID IN THE GROUND AND BACKFILLED WITH COMPACTED MATERIAL.
4. SILT FENCE SHALL BE SECURELY FASTENED TO EACH STEEL SUPPORT POST OR TO WOVEN WIRE, WHICH IS IN TURN ATTACHED TO THE STEEL SUPPORT POST. THERE SHALL BE A 6 INCH DOUBLE OVERLAP, SECURELY FASTENED WHERE ENDS OF FABRIC MEET.
5. INSPECTION SHALL BE MADE WEEKLY OR AFTER EACH RAINFALL. REPAIR OR REPLACEMENT SHALL BE MADE PROMPTLY AS NEEDED.
6. SILT FENCE SHALL BE REMOVED WHEN THE SITE IS COMPLETELY STABILIZED SO AS NOT TO BLOCK OR IMPEDE STORM FLOW OR DRAINAGE.
7. ACCUMULATED SILT SHALL BE REMOVED WHEN IT REACHED A DEPTH OF 6 INCHES. THE SILT SHALL BE DISPOSED OF AT AN APPROVED SITE AND IN SUCH A MANNER AS TO NOT CONTRIBUTE TO ADDITIONAL SILTATION.
8. CONTRACTOR SHALL PROVIDE TRIANGULAR SEDIMENT FILTER DIKE WHERE SILT FENCE IS REQUIRED BUT NOT INSTALLABLE.

SILT FENCE

NOT TO SCALE



TREE PROTECTION DETAIL

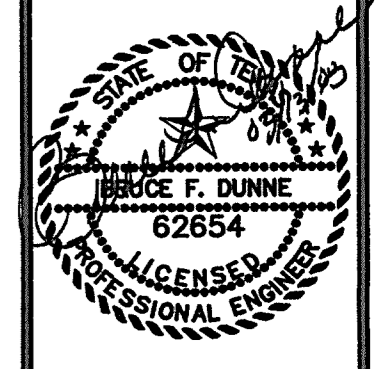
NOT TO SCALE

NO.	REVISION	BY	DATE

icon Consulting Engineers, Inc.
Civil, Electrical, Mechanical, Plumbing, Fire, and Energy Engineers
2501 Westwood Center, Suite 117
Springdale, TX 75909
Phone: (817) 552-8210
Fax: (817) 552-3126

EROSION & SEDIMENT CONTROL DETAILS

PHASE ONE DEMOLITION PLANS BROOKHAVEN VILLAGE ADDISON, TX



Date: 3/13/07
Scale: NTS
Drawn By: ICE
Reviewed By: ICE
Project: 5019-01a

SHEET
C3.2