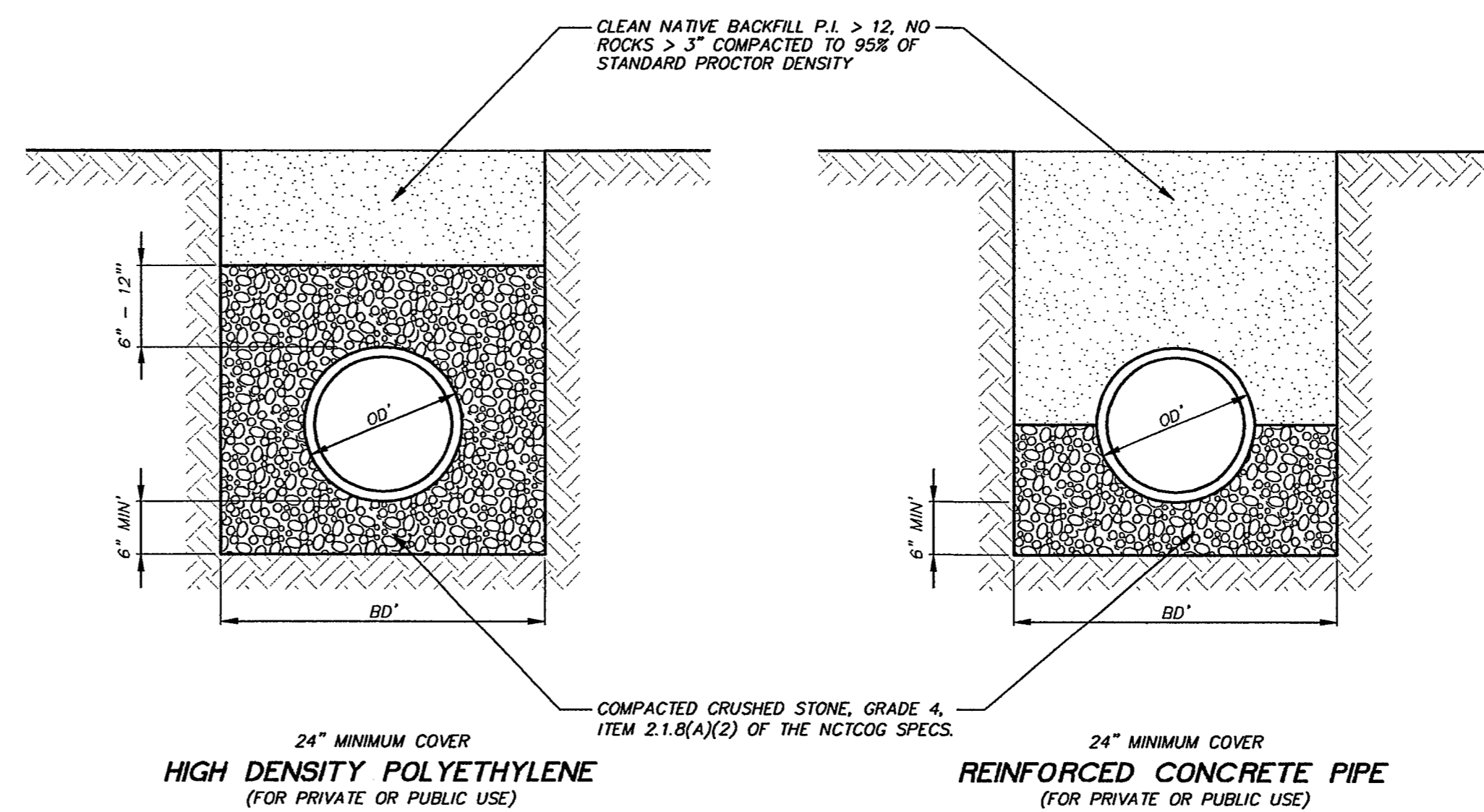
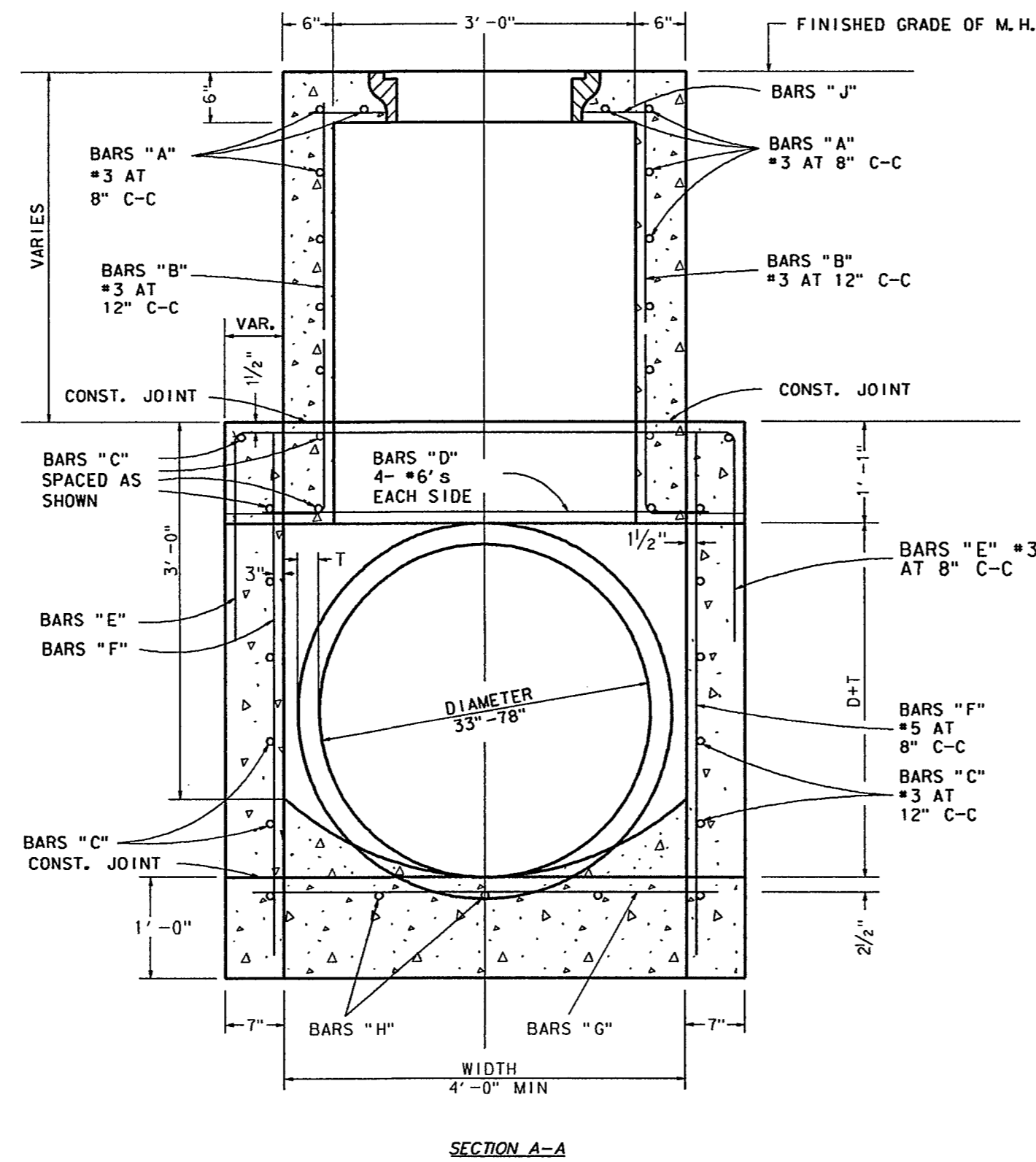
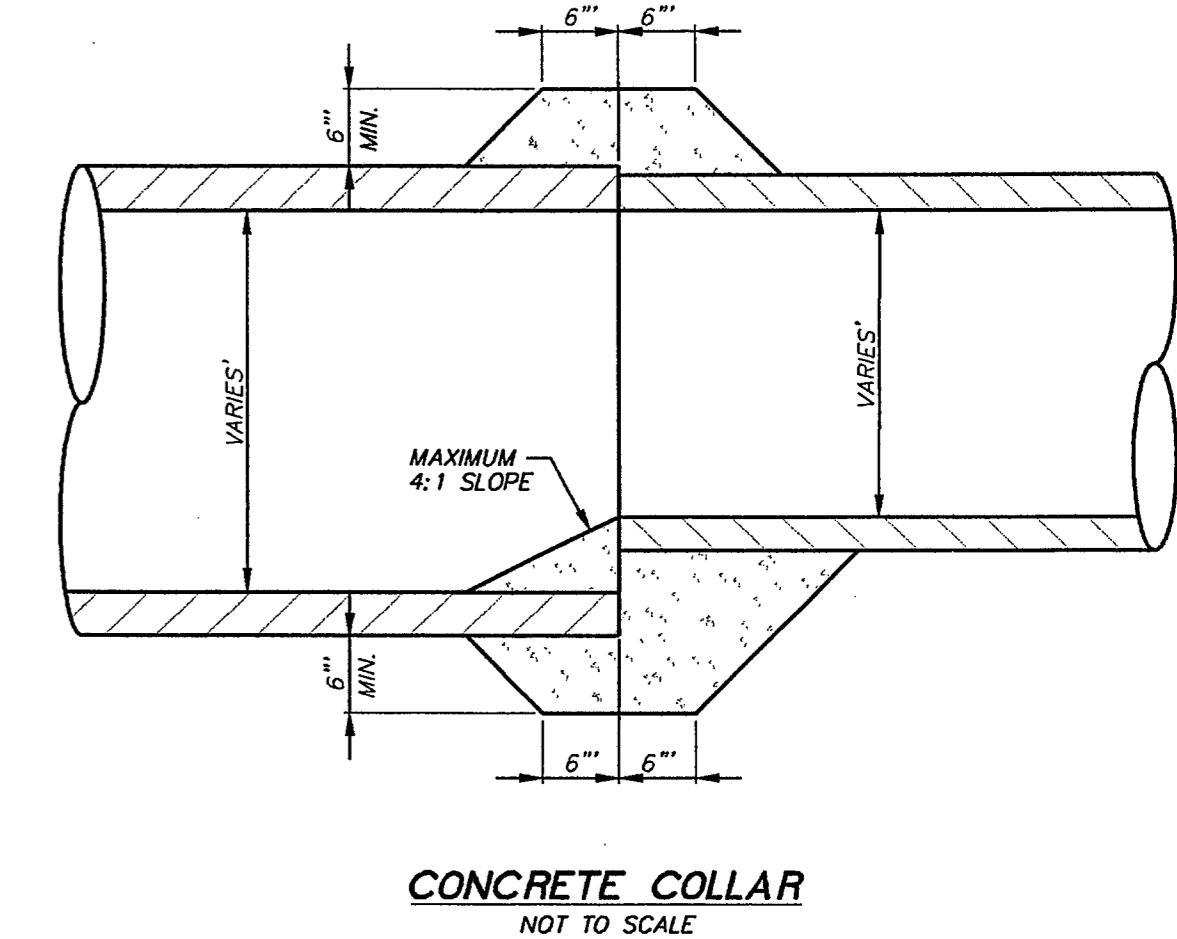


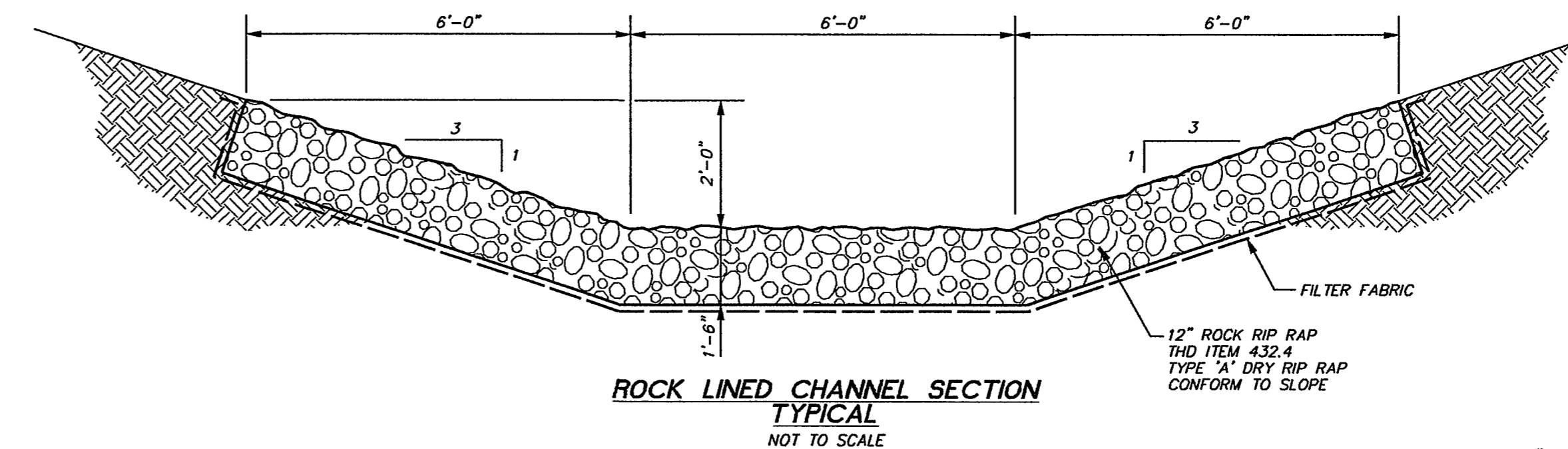
TYPE B STORM DRAIN MANHOLE
(FOR PIPE 33" TO 78" IN DIAMETER)



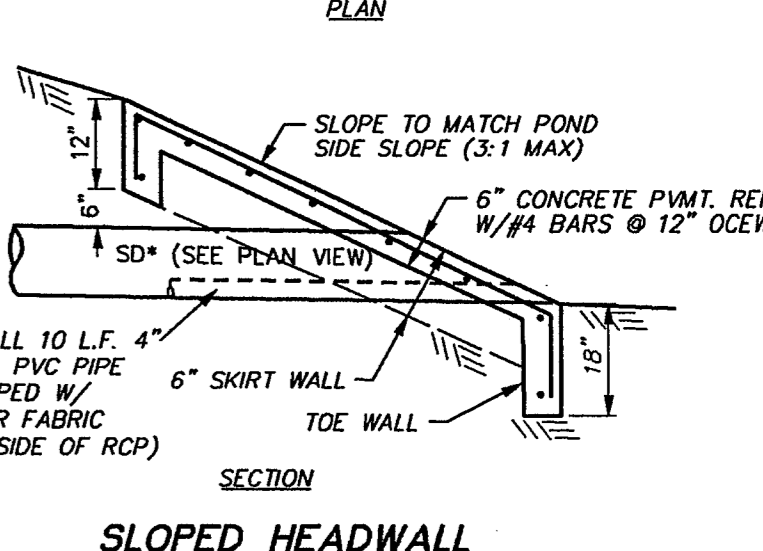
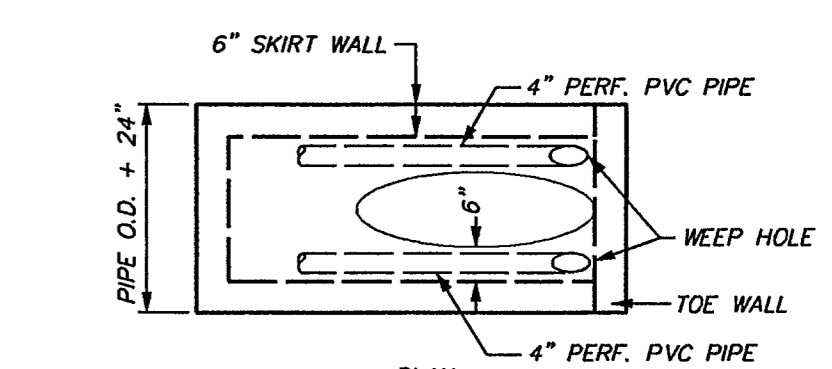
STORM DRAIN EMBEDMENT
NOT TO SCALE



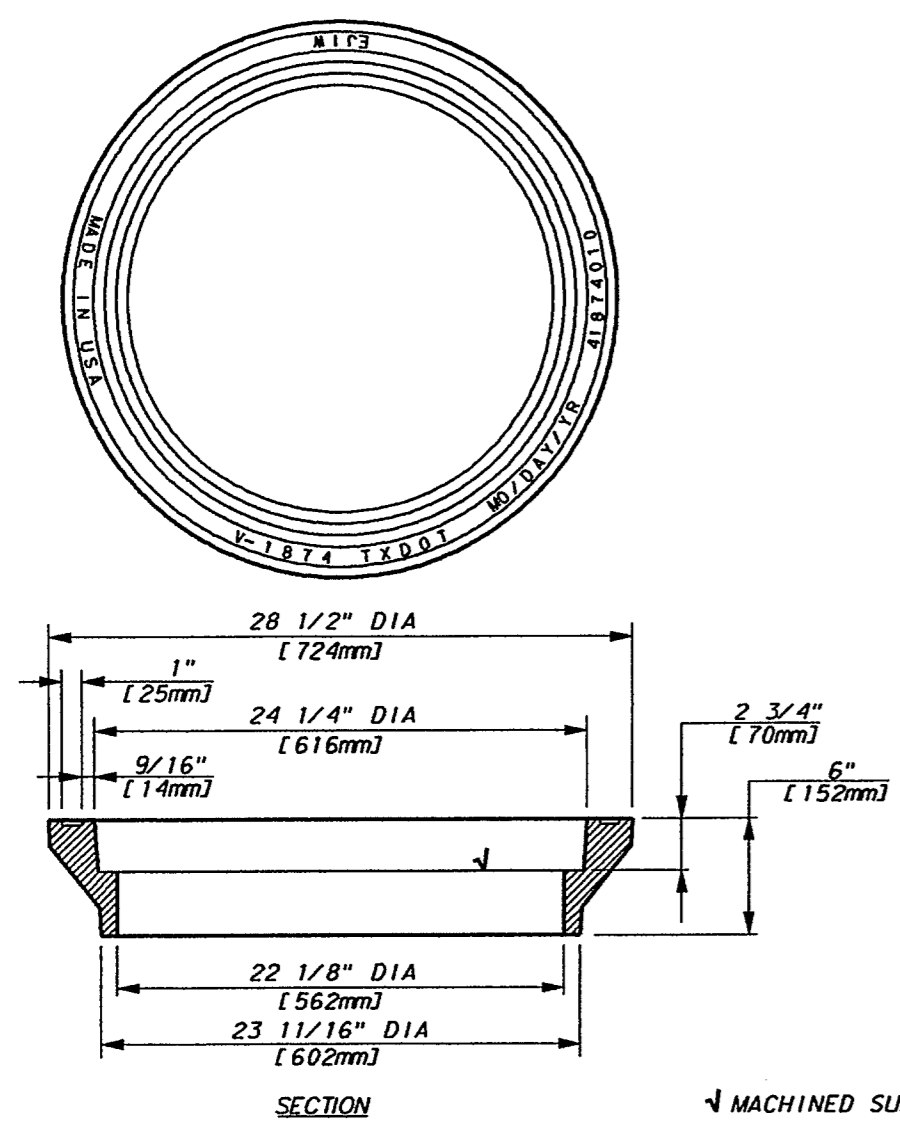
CONCRETE COLLAR
NOT TO SCALE



ROCK LINED CHANNEL SECTION
TYPICAL
NOT TO SCALE

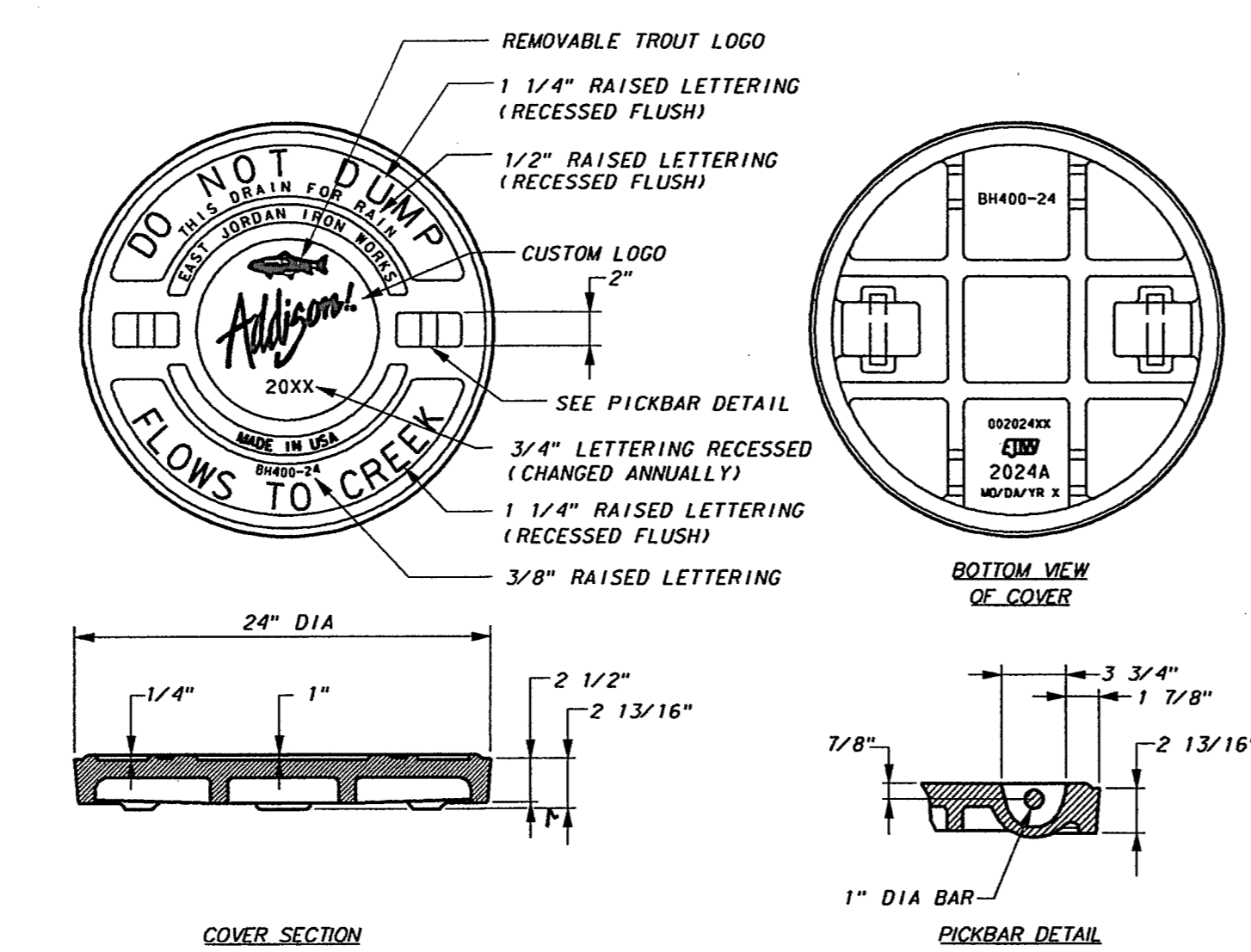


SLOPED HEADWALL
NOT TO SCALE



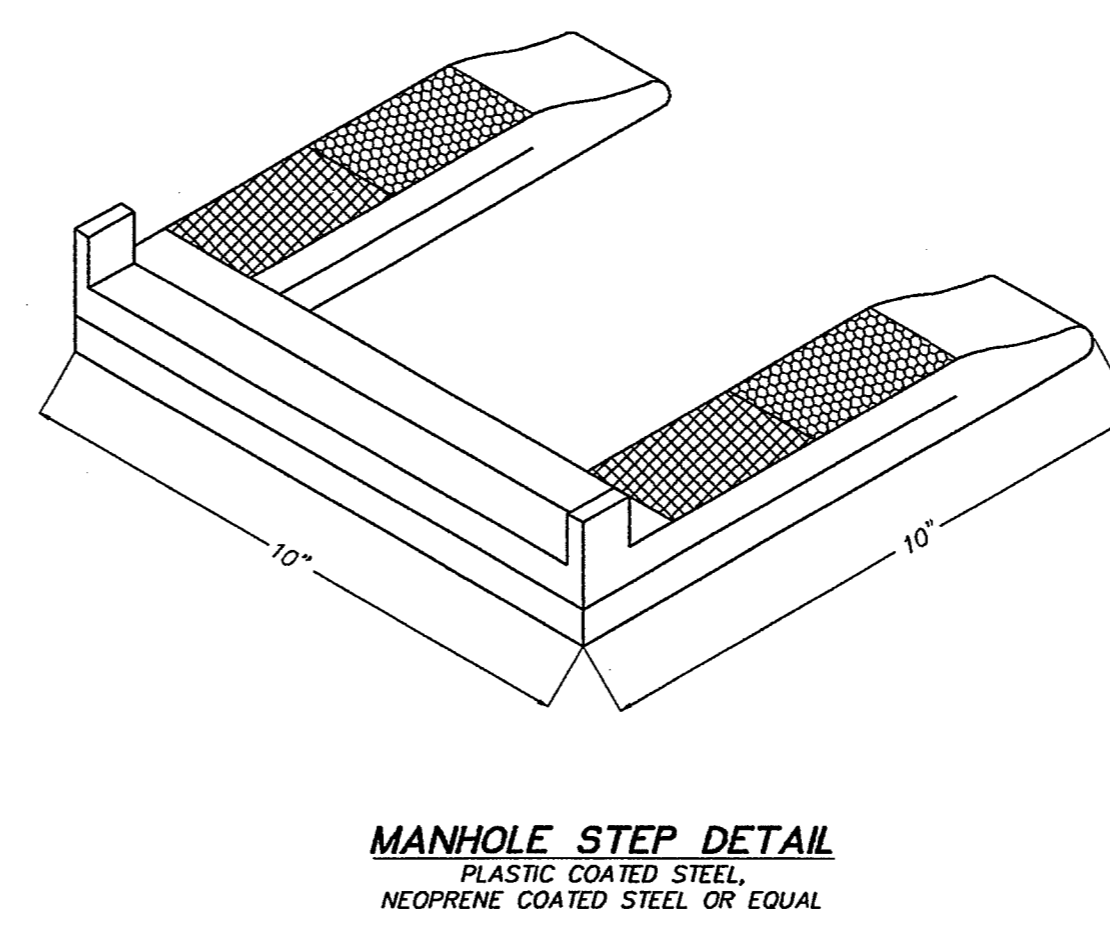
SECTION

MACHINED SURFACE



COVER SECTION

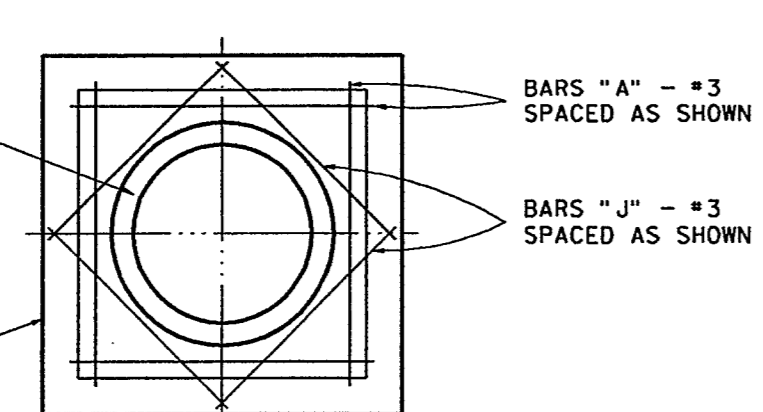
PICKBAR DETAIL



MANHOLE STEP DETAIL
PLASTIC COATED STEEL,
NEOPRENE COATED STEEL OR EQUAL

NOTE: FRAME AND COVER SHALL BE EAST JORDAN IRON WORKS CATALOG NO. V-1874 AND 2024A OR EQUAL AND SHALL BE OF GRAY CAST IRON CONFORMING TO ASTM A-48 CL 35.

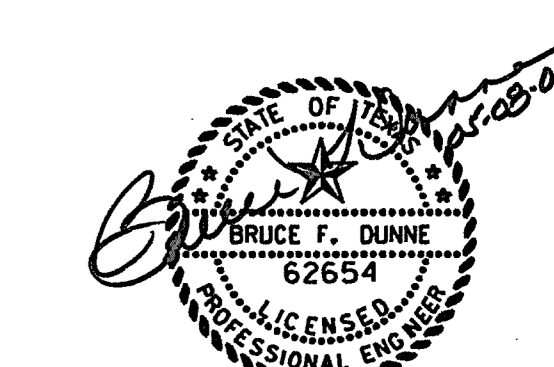
PROVIDE 3/4\"/>



TYPE A & TYPE B
STORM DRAIN MANHOLE
NOTE: MAX. PIPE SIZE 78"

- NOTES: APPLICABLE TO ALL MANHOLES
1. PREFABRICATED MANHOLES OF EQUIVALENT STRENGTH AND DESIGN MAY BE SUBSTITUTED WITH THE APPROVAL OF AN ENGINEER.
 2. CONCRETE SHALL HAVE A MINIMUM COMPRESSIVE STRENGTH OF 4000 LBS. PER SQUARE INCH AT 28 DAYS.
 3. MANHOLES SHALL BE BUILT ON THE MAIN SEWER LINE. LATERAL PIPES MAY ENTER MANHOLES AT ANY LOCATION.
 4. MANHOLES WILL BE MEASURED AND PAID FOR AT THE CONTRACT UNIT PRICE PER EACH REGARDLESS OF MANHOLE DEPTH.
 5. CYLINDRICAL SHAPED MANHOLES MAY BE USED AS DIRECTED BY ENGINEER IN LIEU OF MANHOLE DESIGN SHOWN ON THIS PAGE.
 6. CONCRETE FOR PAVEMENT BLOCKOUTS SHALL BE CLASS HAND FINISH CONCRETE (4500 P.S.I.).

NOTE: PLASTIC COATED STEEL, NEOPRENE COATED STEEL STEPS OR EQUAL SHALL BE PLACED SECURELY INTO MANHOLE WALLS ON 15\"/>



NO.	REVISION	BY	DATE		
TOWN OF ADDISON DALLAS COUNTY, TEXAS					
STORM DRAIN RELOCATION BROOKHAVEN CLUB DRIVE					
STORM DRAIN DETAILS					
icon Consulting Engineers, Inc. 250 W. Southlake Blvd., Suite 117 Civil Engineers - Designers - Planners Southlake, TX 76092 (817) 552-6210					
PROJECT	DESIGN	DRAWN	DATE	FILE	SHEET
5019-01	JAM	SAM	MAY 8, 2008	PW # 2007-001	5

STORM DRAIN RELOCATION - BROOKHAVEN CLUB DRIVE