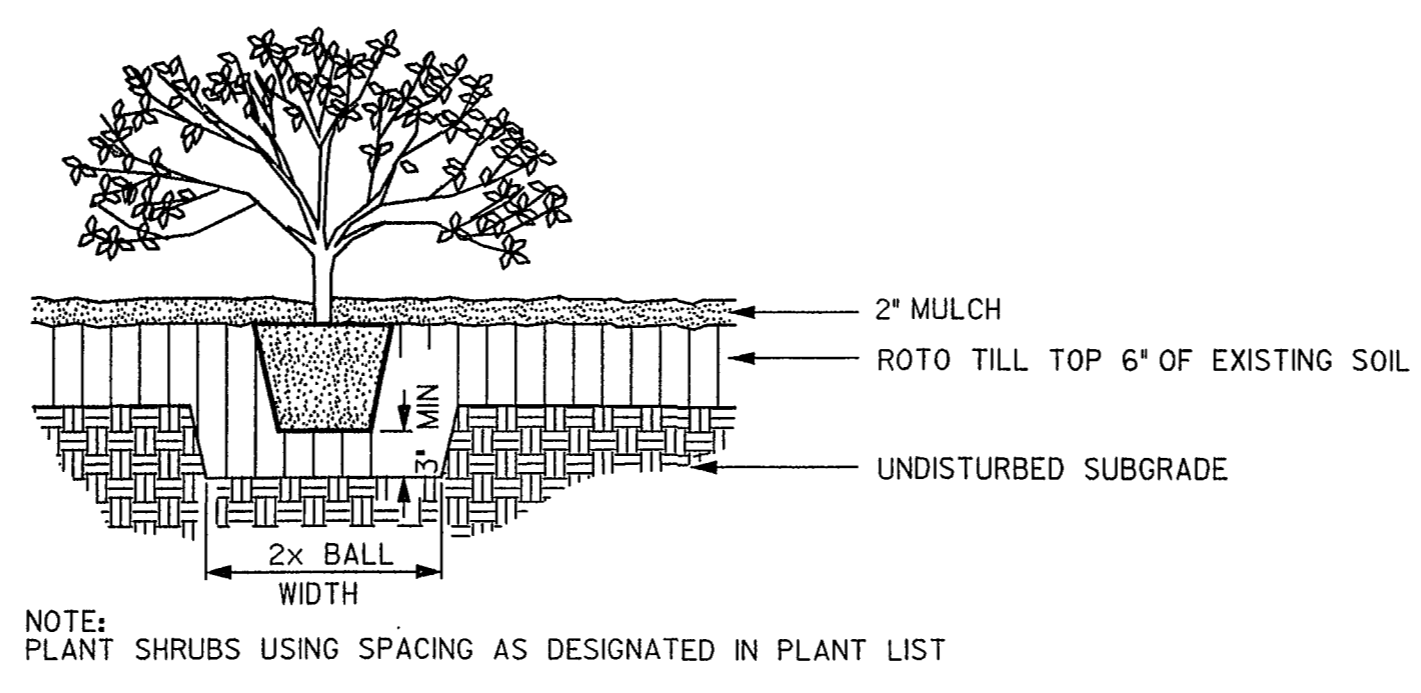
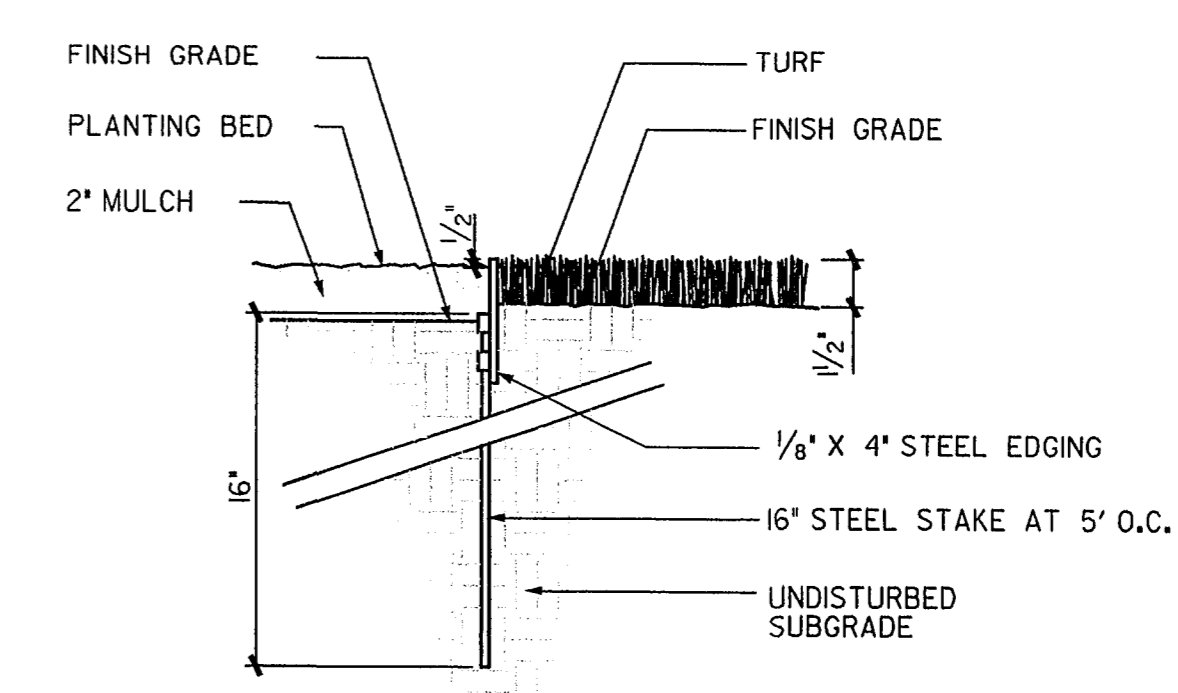


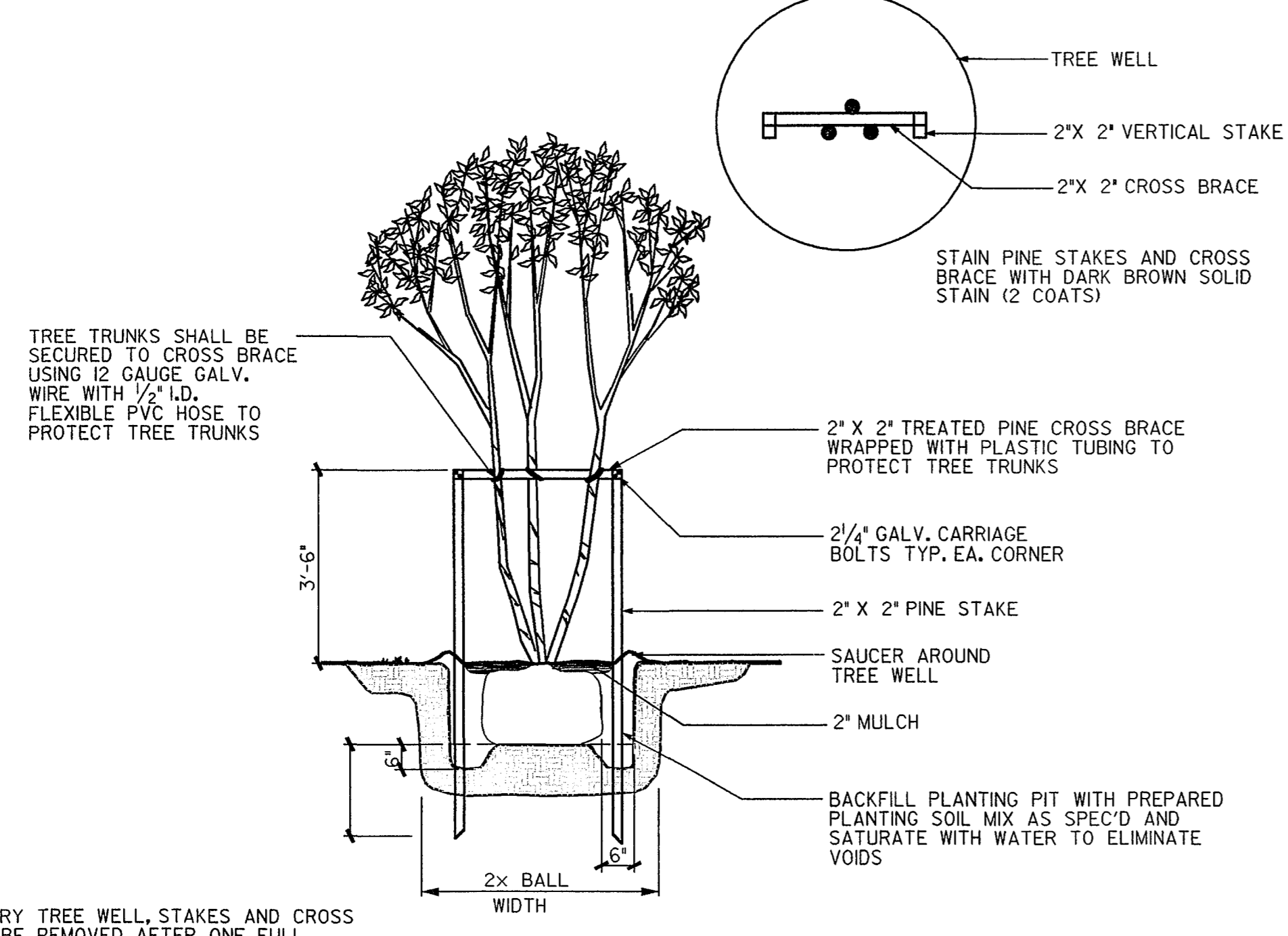
**GROUND COVER PLANTING DETAIL**  
N.T.S.



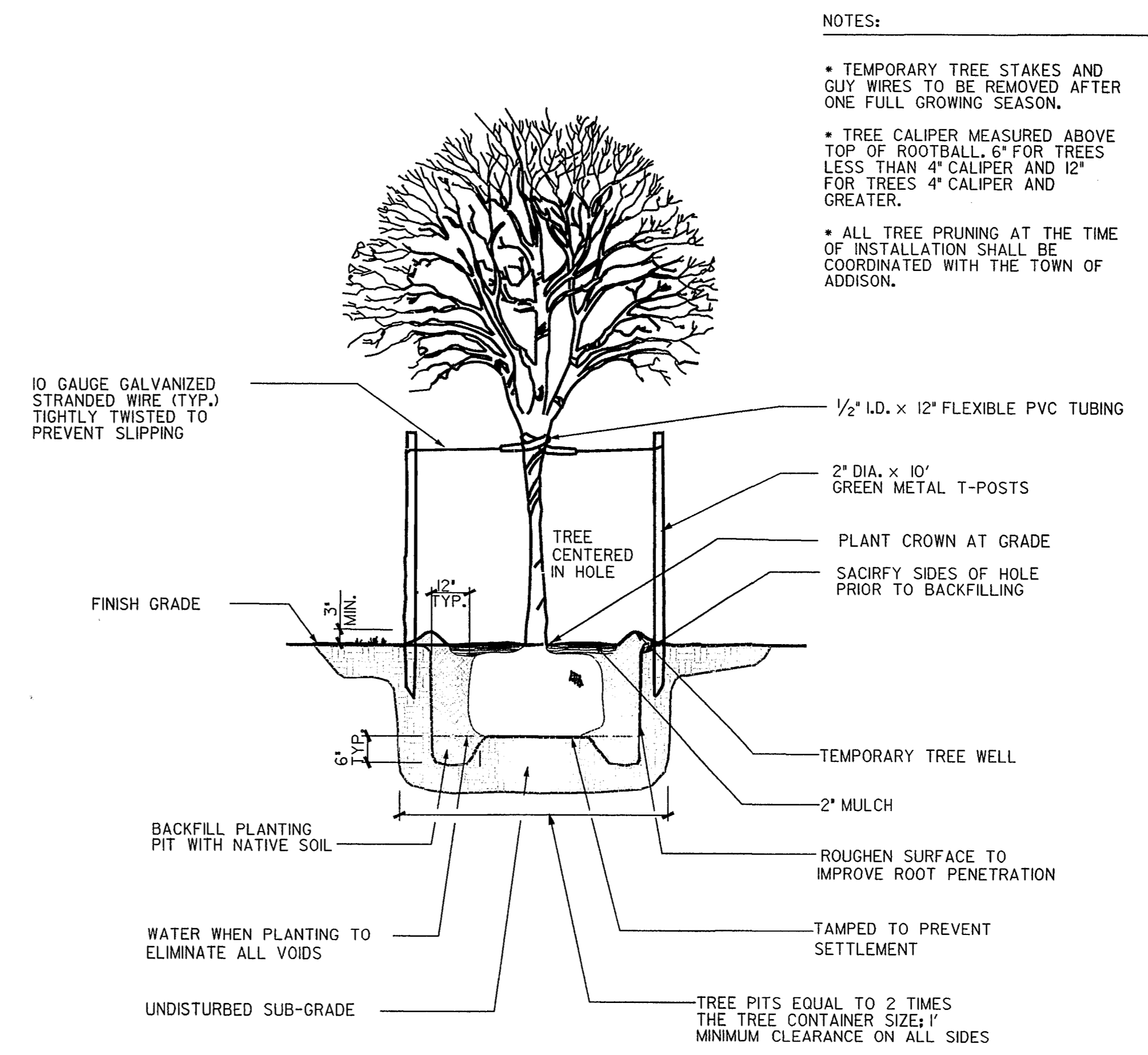
**SHRUB PLANTING DETAIL**  
N.T.S.



**STEEL EDGING**  
N.T.S.



**MULTI-TRUNK TREE PLANTING & STAKING DETAIL**  
N.T.S.



**TREE PLANTING & STAKING DETAIL**  
N.T.S.

- NOTES:
- TEMPORARY TREE STAKES AND GUY WIRES TO BE REMOVED AFTER ONE FULL GROWING SEASON.
  - TREE CALIPER MEASURED ABOVE TOP OF ROOTBALL. 6" FOR TREES LESS THAN 4" CALIPER AND 12" FOR TREES 4" CALIPER AND GREATER.
  - ALL TREE PRUNING AT THE TIME OF INSTALLATION SHALL BE COORDINATED WITH THE TOWN OF ADDISON.

**BROOKHAVEN CLUB DRIVE PARK**  
 Town of Addison  
 Parks Recreation & Landscape Development  
 P.O. Box 9010  
 Addison, Texas 75001

F&A JOB NUMBER:  
0228  
DATE ISSUED:  
Apr. 22, 2003  
REVISIONS:

SHEET NUMBER:  
DT-2

**PLANTING DETAILS**