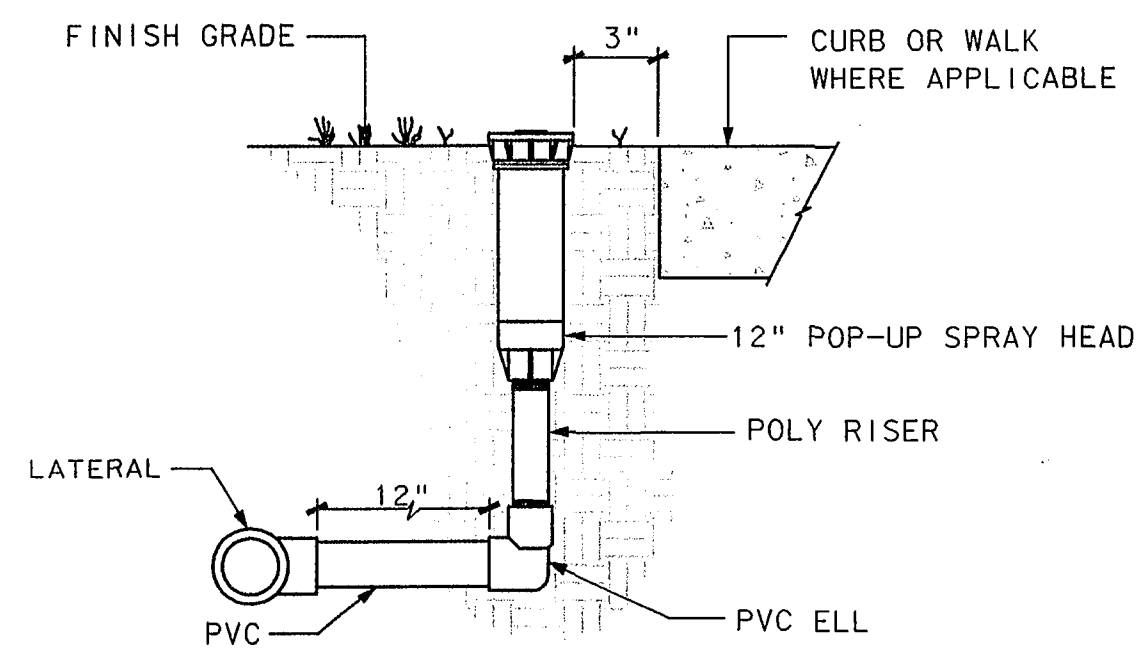


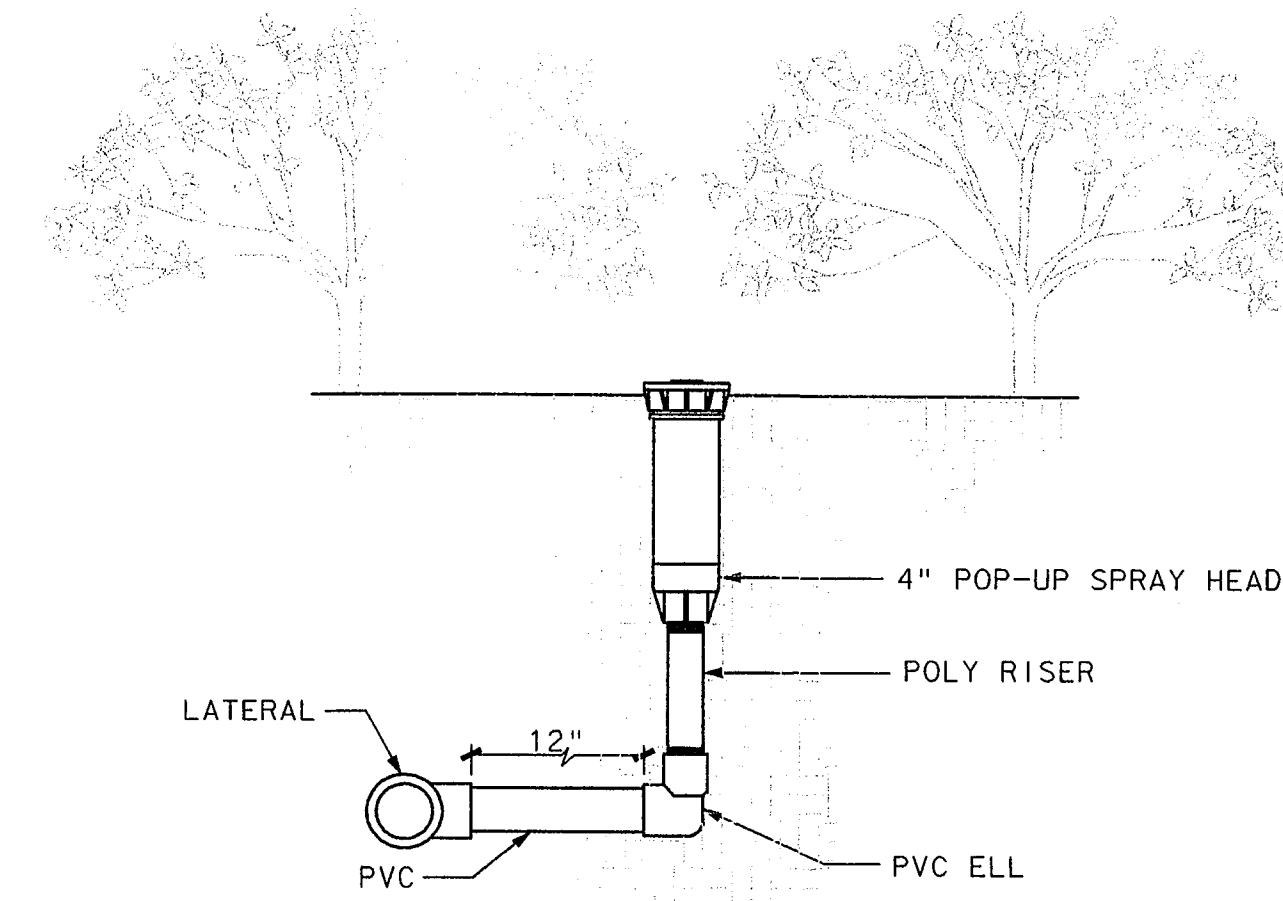
TURF POP-UP SPRAY HEAD DETAIL

NOT TO SCALE



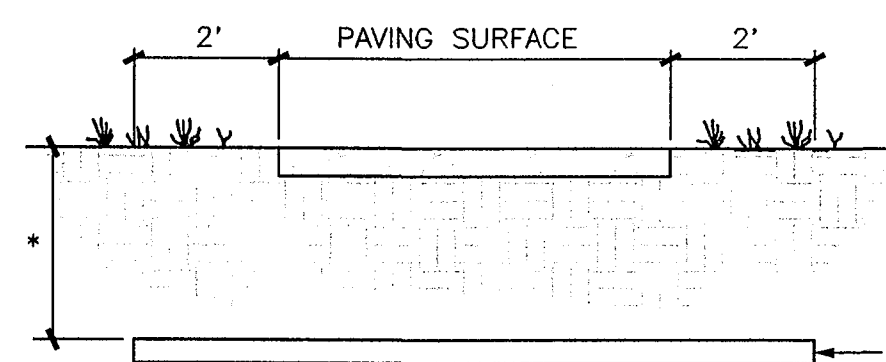
HIGH POP-UP SPRAY HEAD DETAIL

NOT TO SCALE



SHRUB POP-UP SPRAY HEAD DETAIL

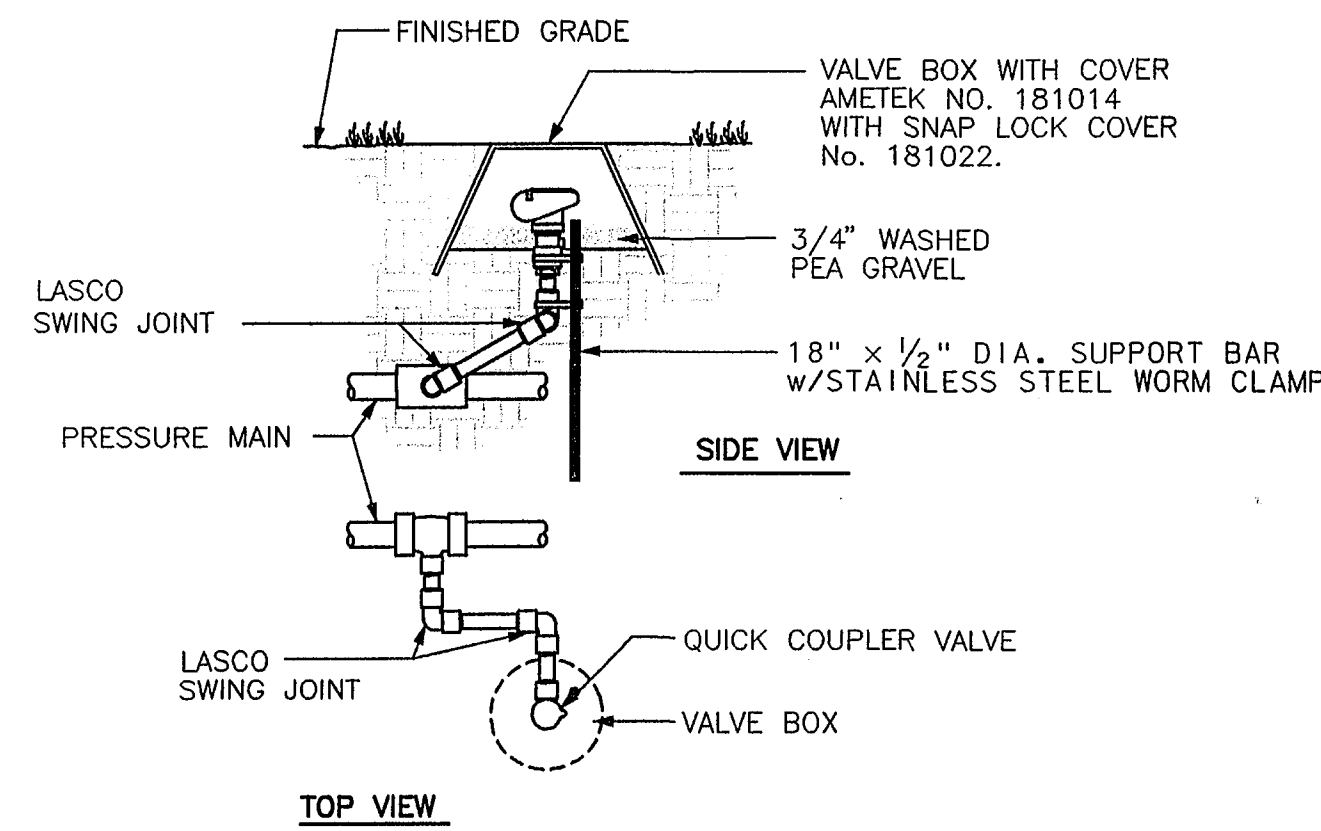
NOT TO SCALE



*18" MIN. FOR MAIN LINE
12" MIN. FOR LATERAL PIPING

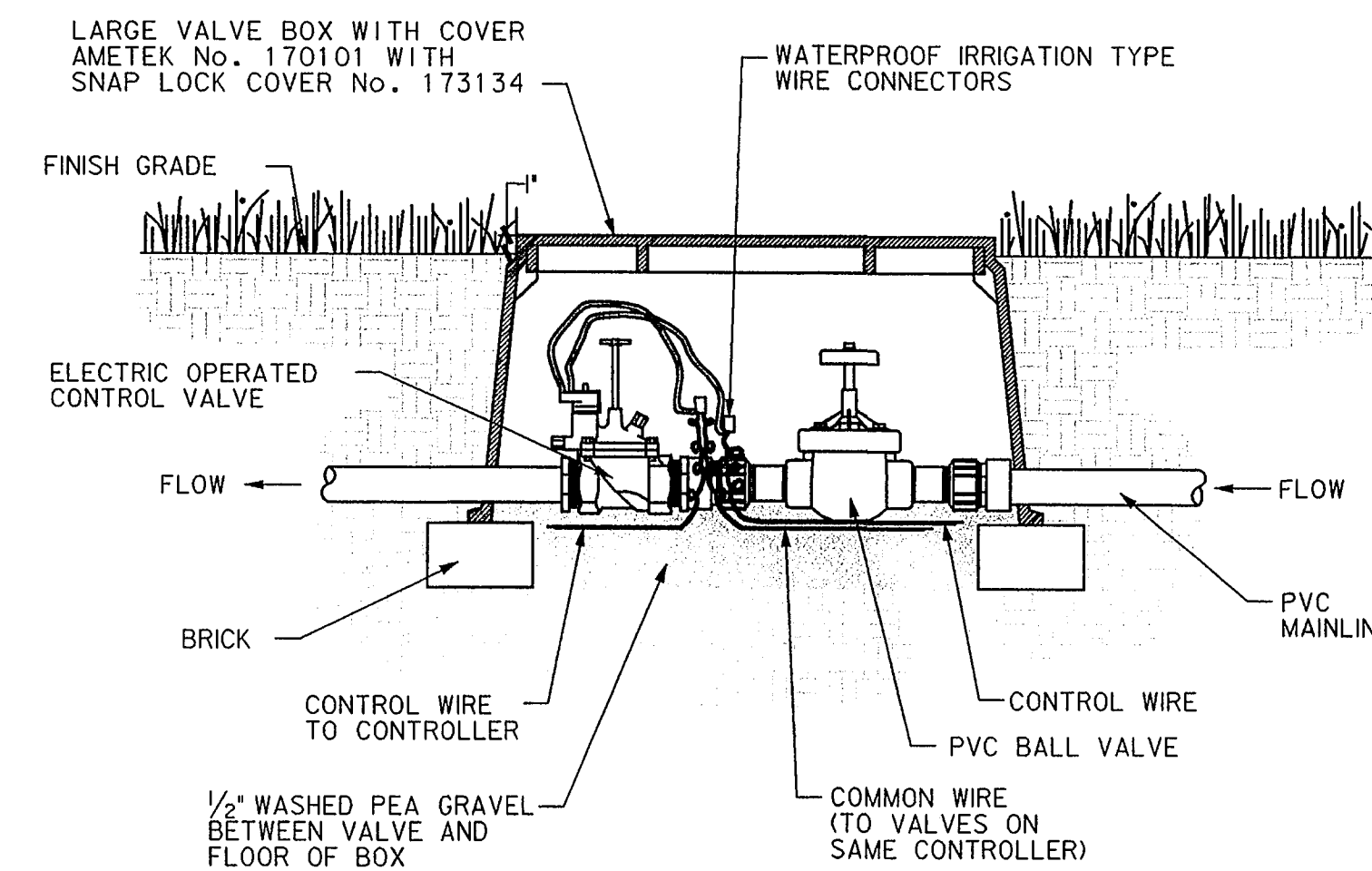
SLEEVE DETAIL

NOT TO SCALE



QUICK COUPLING VALVE DETAIL

NOT TO SCALE



NOTES

1. ALL WIRE TO BE INSTALLED PER LOCAL CODE.
2. TAPE AND BUNDLE WIRE EVERY TEN FEET.
3. PROVIDE EXPANSION COILS AT EACH WIRE CONNECTION IN VALVE BOX. (WRAP AROUND 1/2" PIPE 15 TIMES.)
4. COMPACT SOIL AROUND VALVE BOX TO SAME DENSITY AS UNDISTURBED ADJACENT SOIL.
5. ORIENT RECTANGULAR VALVE BOXES SO THAT THE EDGES ARE PARALLEL TO ADJACENT WALKS, CURBS, ETC.

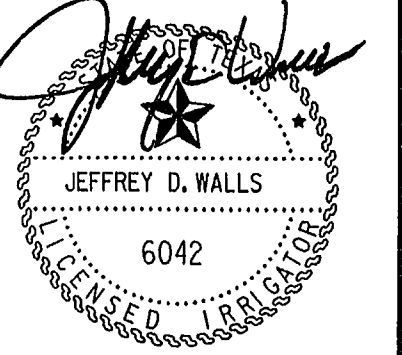
SOLENOID VALVE DETAIL

NOT TO SCALE

Frye Associates

2874 Ridgedale Dr.
Lewisville, Texas 75067

WATER SMART IRRIGATION, Inc.
P.O. BOX 60518
The Colony, Texas 76202



BROOKHAVEN CLUB DRIVE PARK
Town of Addison
Parks Recreation & Landscape Development
P.O. Box 9010
Addison, Texas 75001

Town of Addison

F&A JOB NUMBER:
0228

DATE ISSUED:
Apr. 22, 2003

REVISIONS:

SHEET NUMBER:

DT-3