

Revisions  
No. Date Items

△		
△		
△		
△		
△		

Drawn: sah  
Appr: sah  
Scale: 1"=30'-0"  
Date: 04/21/03  
Project No: 02066

Sheet Title  
**IRRIGATION PLAN**

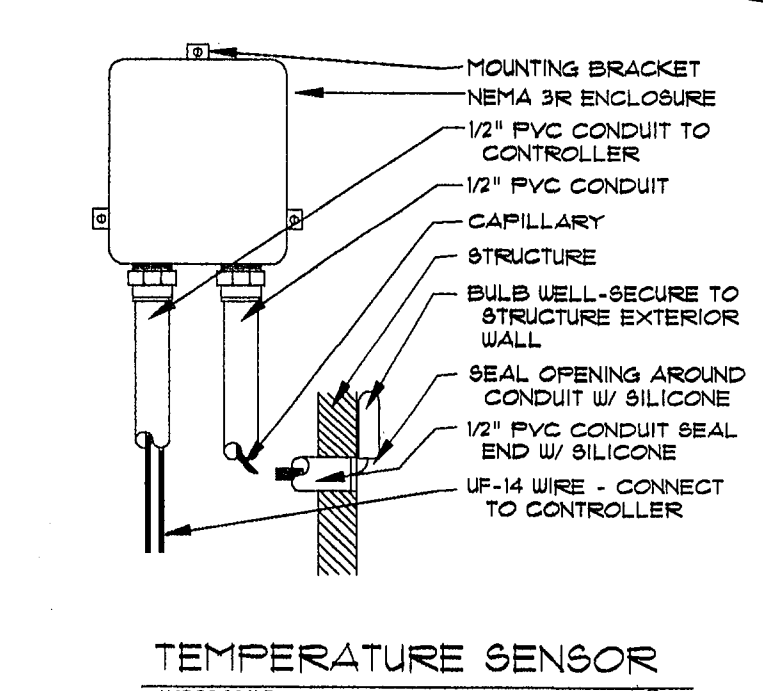
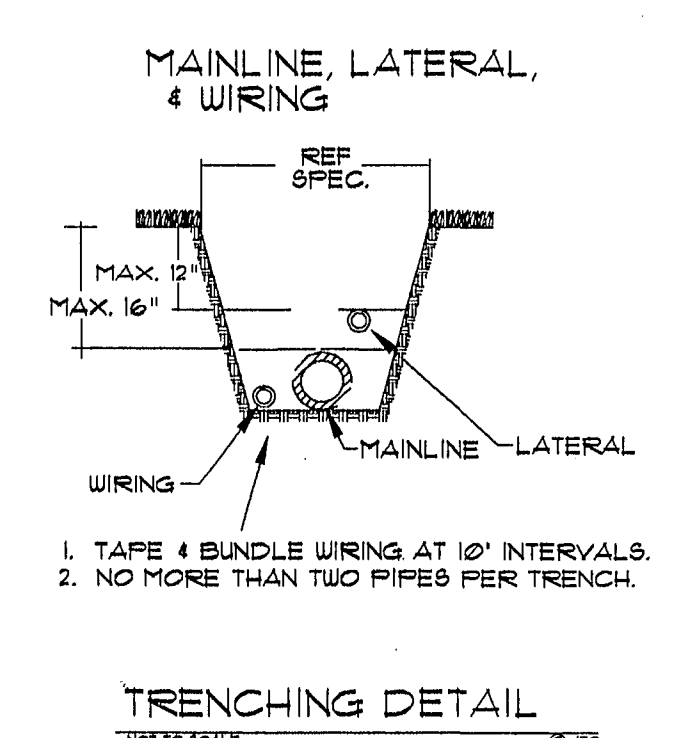
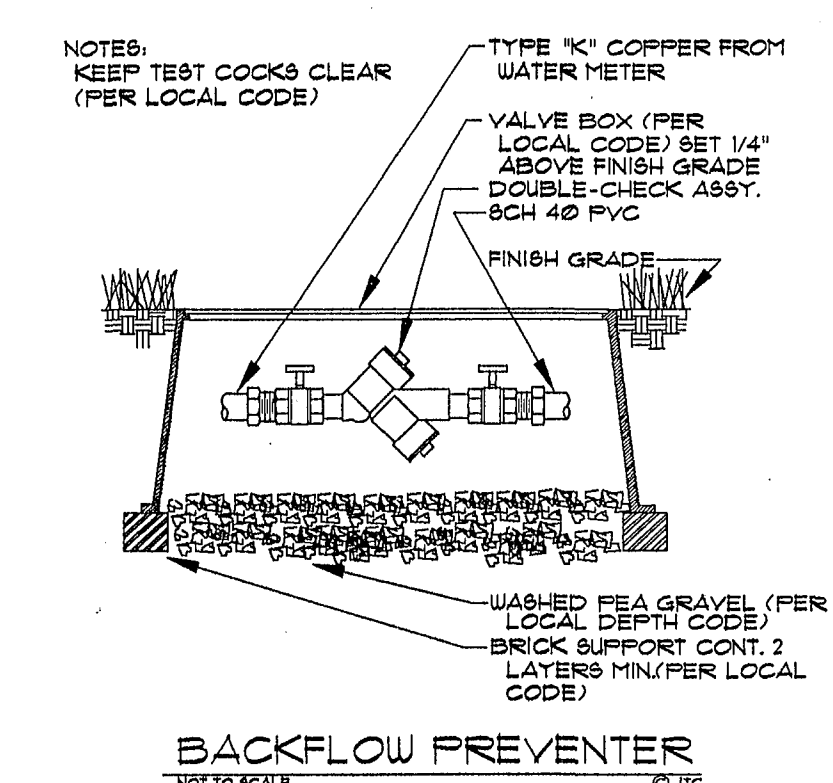
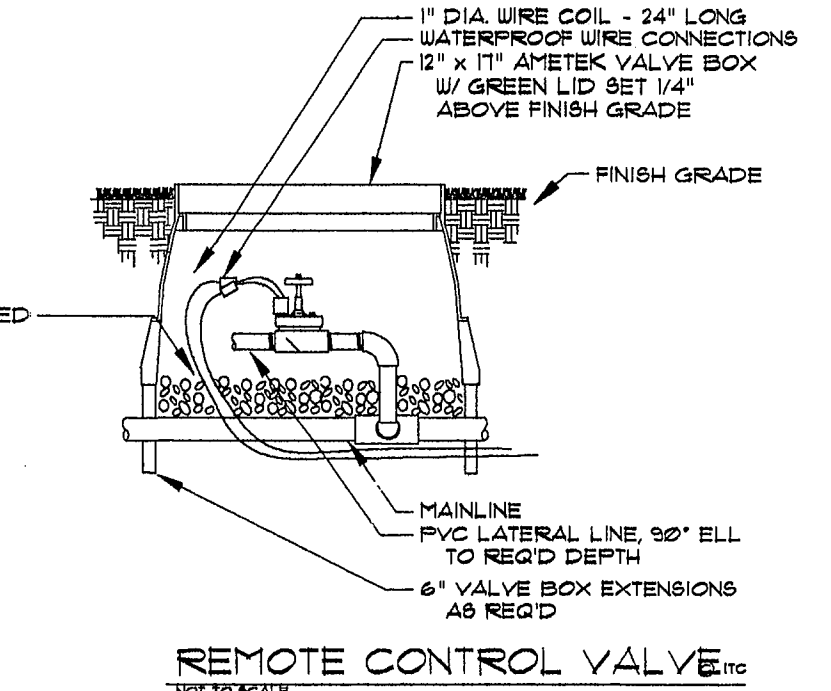
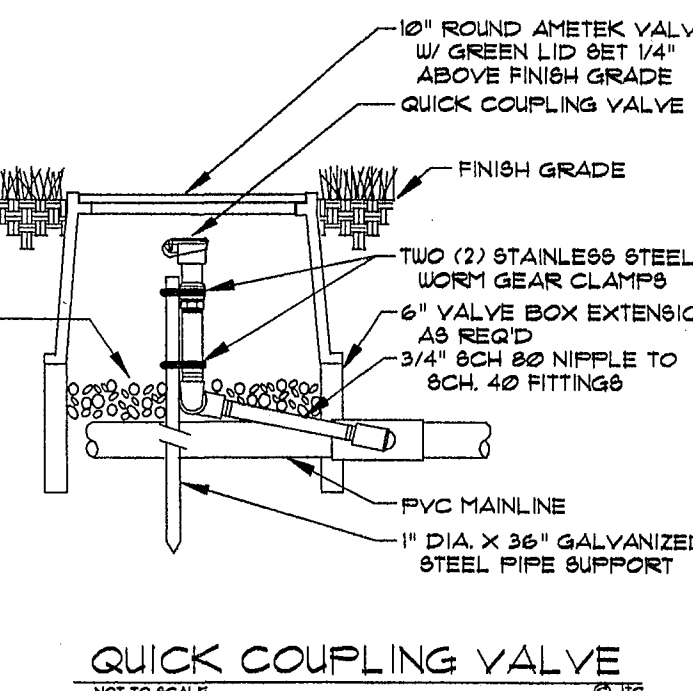
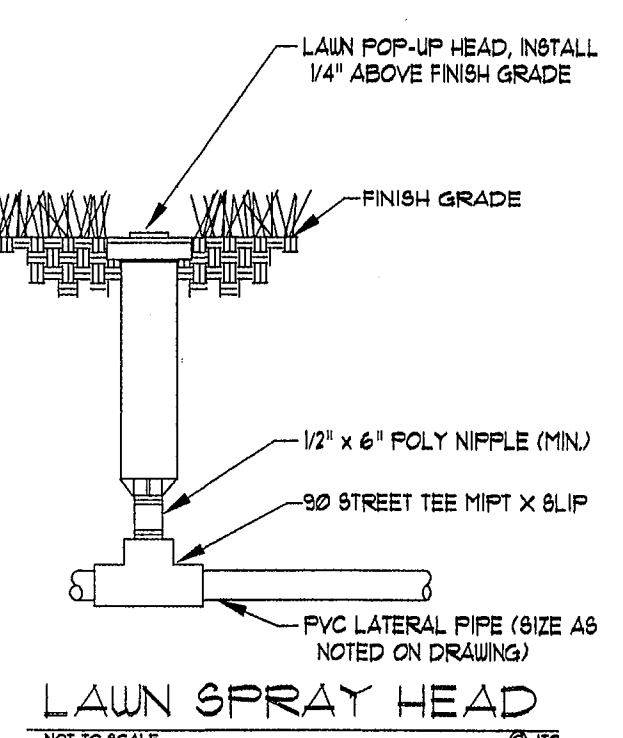
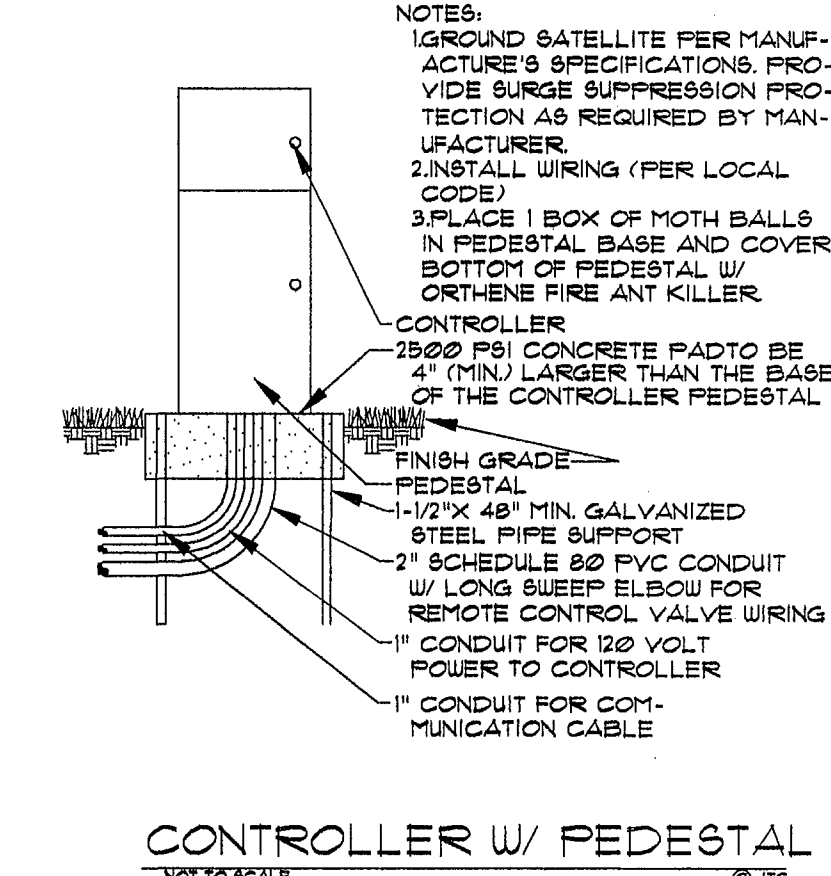
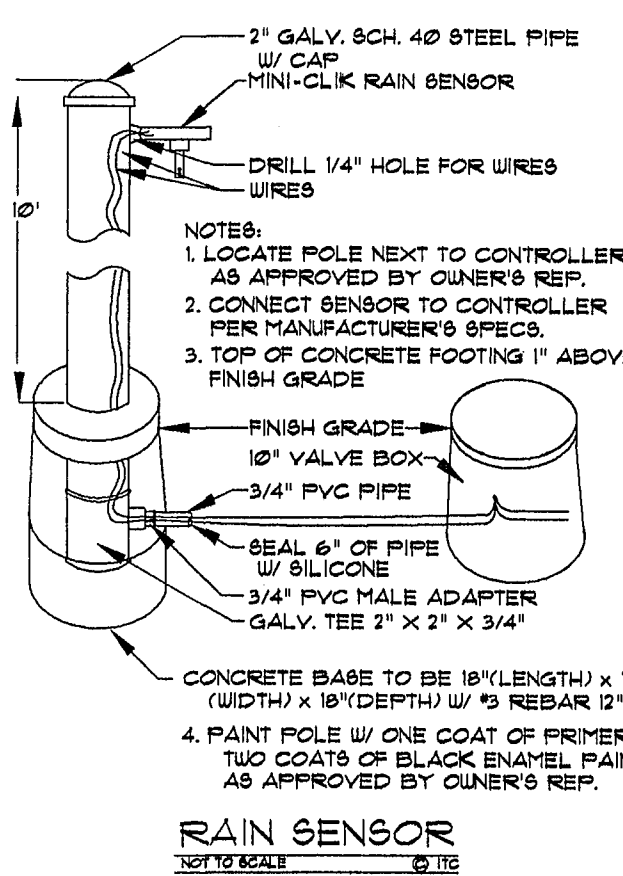
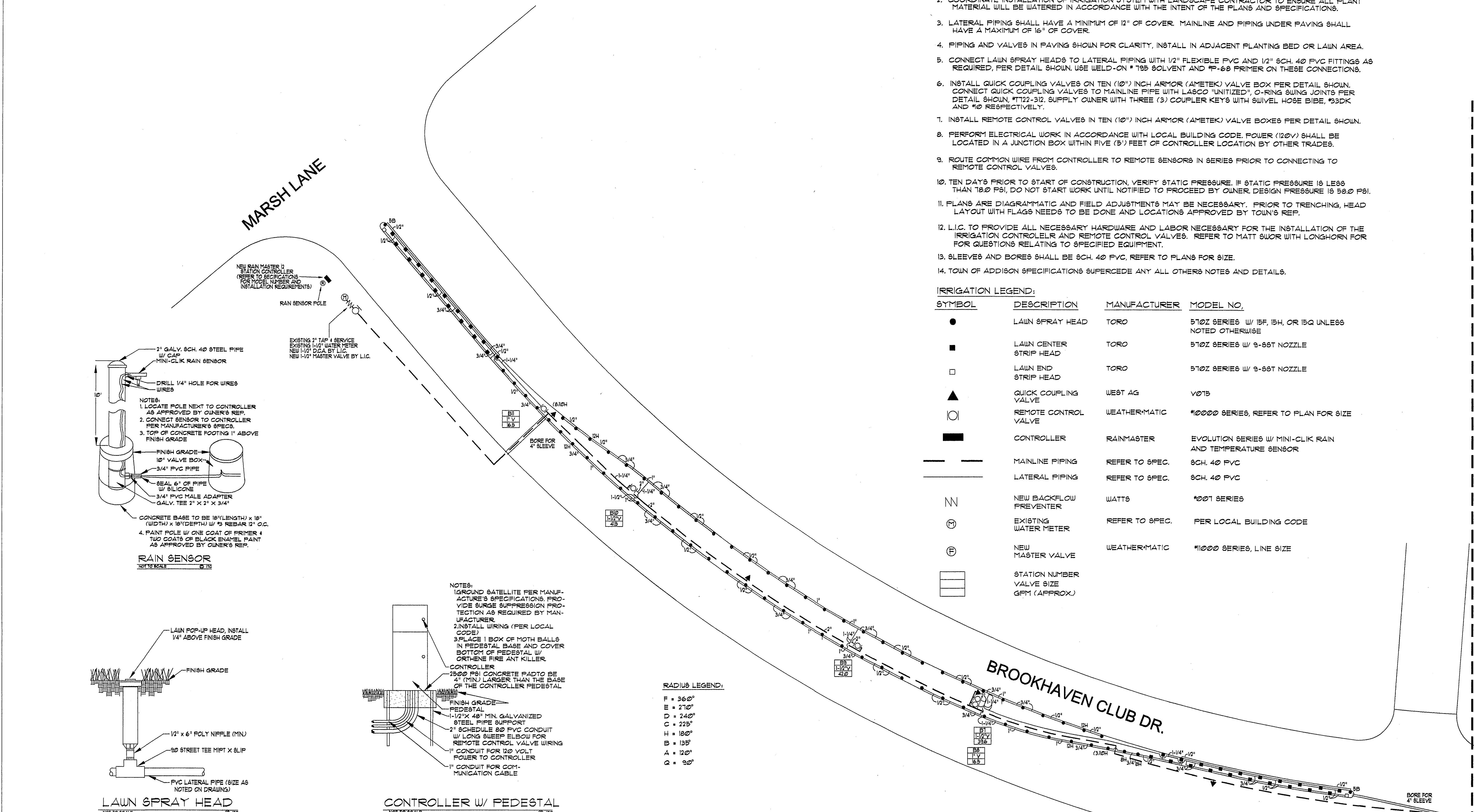
Sheet No. ir-5  
Page 5 of 5

**NOTES:**

- ALL 24 VOLT LEAD VALVE WIRING SHALL BE A MINIMUM OF UF-14 GA. SINGLE CONDUCTOR. ALL COMMON WIRING SHALL BE A MINIMUM OF UF-12 GA. SINGLE CONDUCTOR. REFER TO MANUFACTURER'S RECOMMENDATIONS FOR PROPER WIRE SIZE. WIRE SPLICES SHALL BE PERMANENT AND WATERPROOF.
- COORDINATE INSTALLATION OF IRRIGATION SYSTEM WITH LANDSCAPE CONTRACTOR TO ENSURE ALL PLANT MATERIAL WILL BE WATERED IN ACCORDANCE WITH THE INTENT OF THE PLANS AND SPECIFICATIONS.
- LATERAL PIPING SHALL HAVE A MINIMUM OF 12" OF COVER. MAINLINE AND PIPING UNDER PAVING SHALL HAVE A MAXIMUM OF 16" OF COVER.
- PIPING AND VALVES IN PAVING SHOWN FOR CLARITY, INSTALL IN ADJACENT PLANTING BED OR LAWN AREA.
- CONNECT LAWN SPRAY HEADS TO LATERAL PIPING WITH 1/2" FLEXIBLE PVC AND 1/2" SCH. 40 PVC FITTINGS AS REQUIRED, PER DETAIL SHOWN. USE WELD-ON # 199 SOLVENT AND # 68 PRIMER ON THESE CONNECTIONS.
- INSTALL QUICK COUPLING VALVES ON TEN (10") INCH ARMOR (AMETEK) VALVE BOX PER DETAIL SHOWN. CONNECT QUICK COUPLING VALVES TO MAINLINE PIPE WITH LASCO "UNITIZED", O-RING SWING JOINTS PER DETAIL SHOWN. #T22-312, SUPPLY OWNER WITH THREE (3) COUPLER KEYS WITH SWIVEL HOSE BIBE, #3DK AND #0 RESPECTIVELY.
- INSTALL REMOTE CONTROL VALVES IN TEN (10") INCH ARMOR (AMETEK) VALVE BOXES PER DETAIL SHOWN.
- PERFORM ELECTRICAL WORK IN ACCORDANCE WITH LOCAL BUILDING CODE. POWER (120V) SHALL BE LOCATED IN A JUNCTION BOX WITHIN FIVE (5) FEET OF CONTROLLER LOCATION BY OTHER TRADES.
- ROUTE COMMON WIRE FROM CONTROLLER TO REMOTE SENSORS IN SERIES PRIOR TO CONNECTING TO REMOTE CONTROL VALVES.
- TEN DAYS PRIOR TO START OF CONSTRUCTION, VERIFY STATIC PRESSURE. IF STATIC PRESSURE IS LESS THAN 18.0 PSI, DO NOT START WORK UNTIL NOTIFIED TO PROCEED BY OWNER. DESIGN PRESSURE IS 58.0 PSI.
- PLANS ARE DIAGRAMMATIC AND FIELD ADJUSTMENTS MAY BE NECESSARY. PRIOR TO TRENCHING, HEAD LAYOUT WITH FLAGS NEEDS TO BE DONE AND LOCATIONS APPROVED BY TOWN'S REP.
- L.I.C. TO PROVIDE ALL NECESSARY HARDWARE AND LABOR NECESSARY FOR THE INSTALLATION OF THE IRRIGATION CONTROLLER AND REMOTE CONTROL VALVES. REFER TO MATT SWOR WITH LONGHORN FOR QUESTIONS RELATING TO SPECIFIED EQUIPMENT.
- SLEEVES AND BORES SHALL BE SCH. 40 PVC. REFER TO PLANS FOR SIZE.
- TOWN OF ADDISON SPECIFICATIONS SUPERCEDE ANY ALL OTHERS NOTES AND DETAILS.

**IRRIGATION LEGEND:**

SYMBOL	DESCRIPTION	MANUFACTURER	MODEL NO.
●	LAWN SPRAY HEAD	TORO	510Z SERIES W/ 15F, 15H, OR 15Q UNLESS NOTED OTHERWISE
■	LAWN CENTER STRIP HEAD	TORO	510Z SERIES W/ 9-55T NOZZLE
□	LAWN END STRIP HEAD	TORO	510Z SERIES W/ 9-55T NOZZLE
▲	QUICK COUPLING VALVE	WEST AG	V07B
○	REMOTE CONTROL VALVE	WEATHERMATIC	*1000 SERIES, REFER TO PLAN FOR SIZE
■	CONTROLLER	RAINMASTER	EVOLUTION SERIES W/ MINI-CLIK RAIN AND TEMPERATURE SENSOR
—	MAINLINE PIPING	REFER TO SPEC.	SCH. 40 PVC
—	LATERAL PIPING	REFER TO SPEC.	SCH. 40 PVC
NN	NEW BACKFLOW PREVENTER	WATTS	*001 SERIES
⊙	EXISTING WATER METER	REFER TO SPEC.	PER LOCAL BUILDING CODE
⊕	NEW MASTER VALVE	WEATHERMATIC	*1000 SERIES, LINE SIZE
□	STATION NUMBER	VALVE SIZE	GPM (APPROX.)



MATCHLINE 'D' - SEE SHEET IR-4