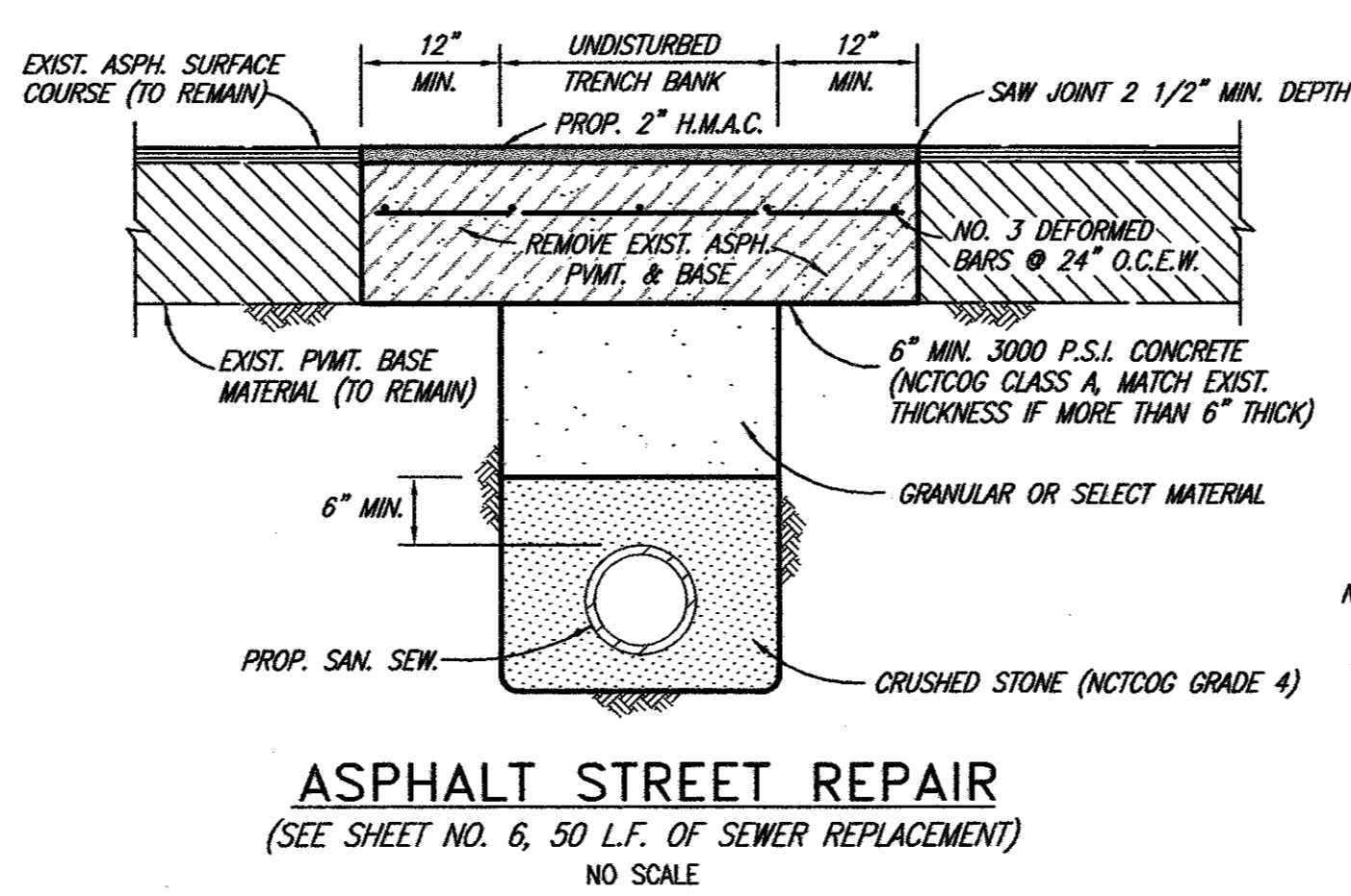


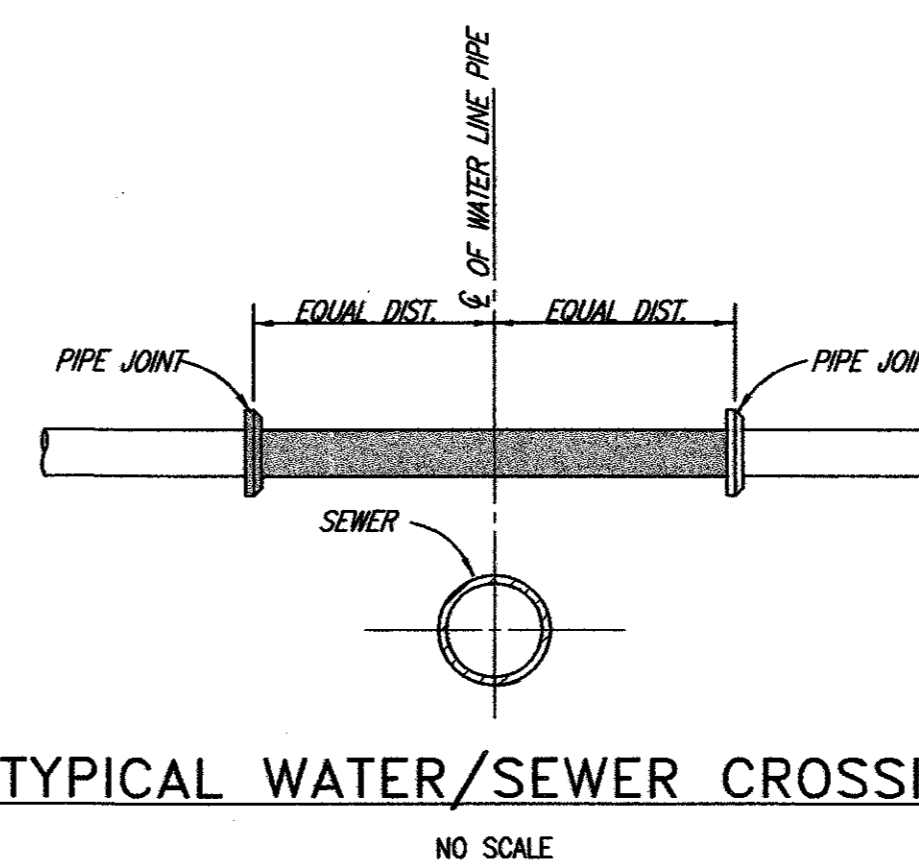
STANDARD CLEANOUT
NO SCALE



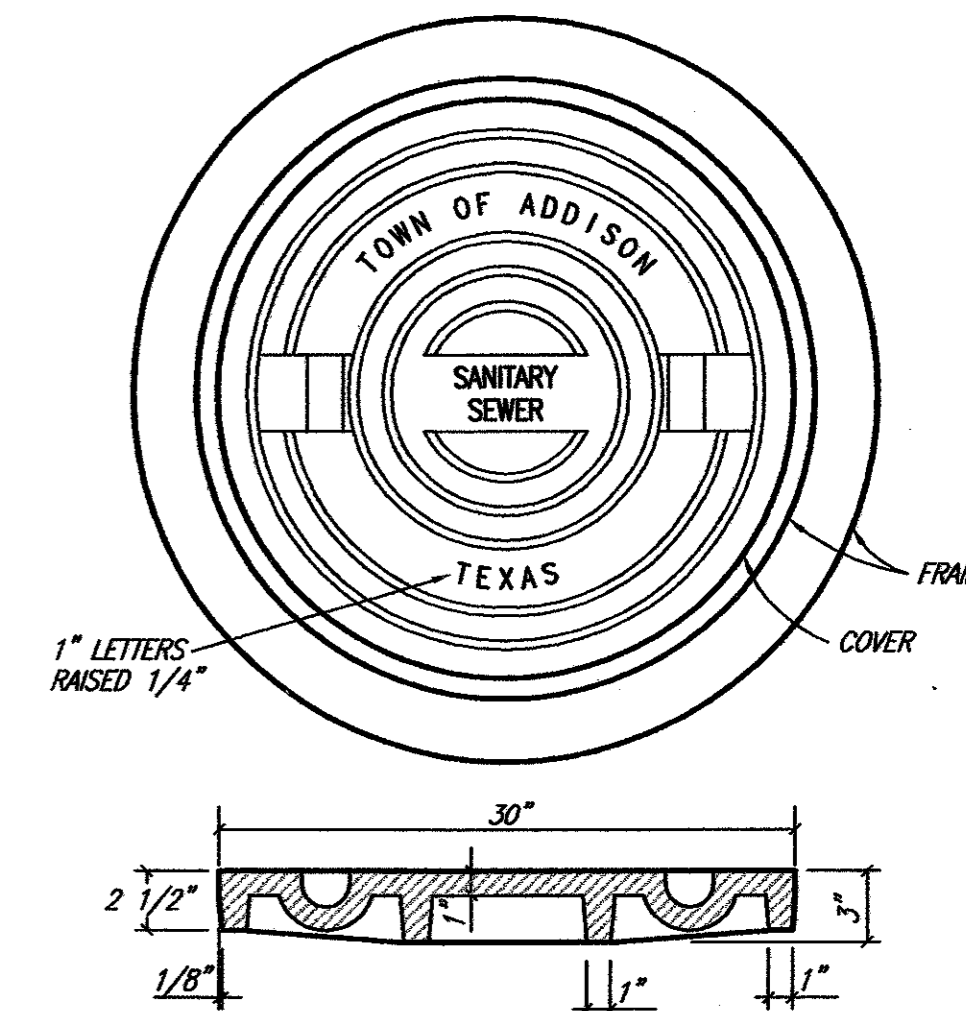
ASPHALT STREET REPAIR
(SEE SHEET NO. 6, 50 L.F. OF SEWER REPLACEMENT)
NO SCALE

NCTCOG GRADE 4 CRUSHED STONE:

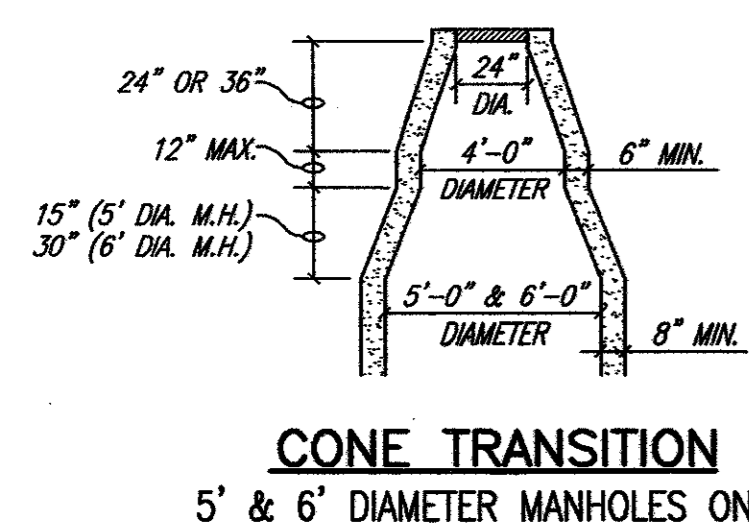
SIEVE SIZE	PERCENT RETAINED
1 1/2"	0%
1"	0-5%
1/2"	40-75%
NO. 4	90-100%
NO. 8	95-100%



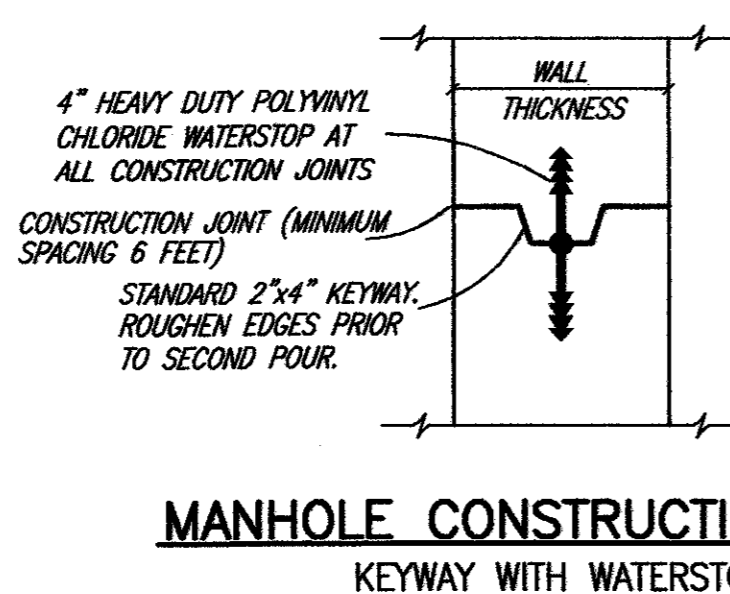
TYPICAL WATER/SEWER CROSSING
NO SCALE



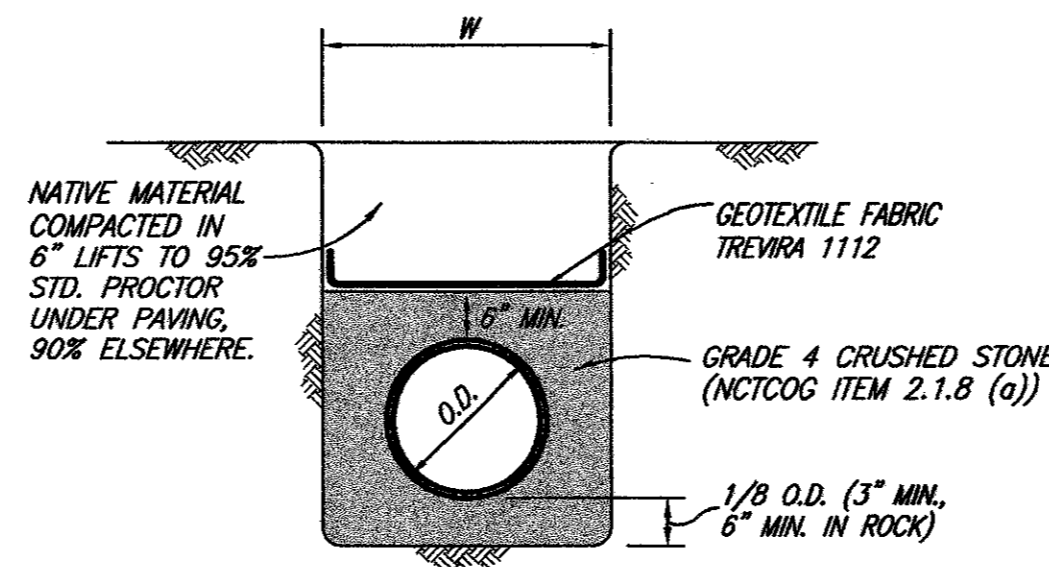
MANHOLE RING AND COVER
NO SCALE



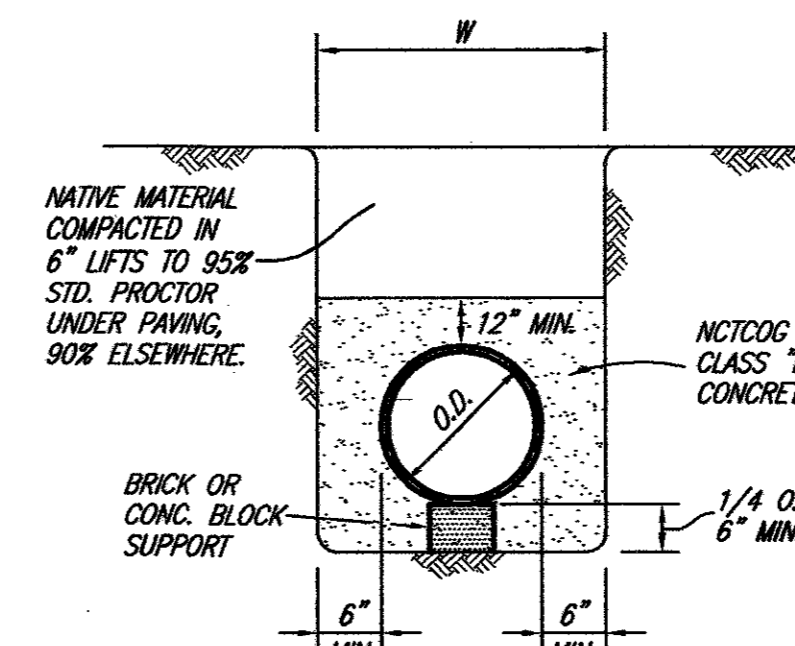
CONE TRANSITION
5' & 6' DIAMETER MANHOLES ONLY



MANHOLE CONSTRUCTION JOINT
KEYWAY WITH WATERSTOP



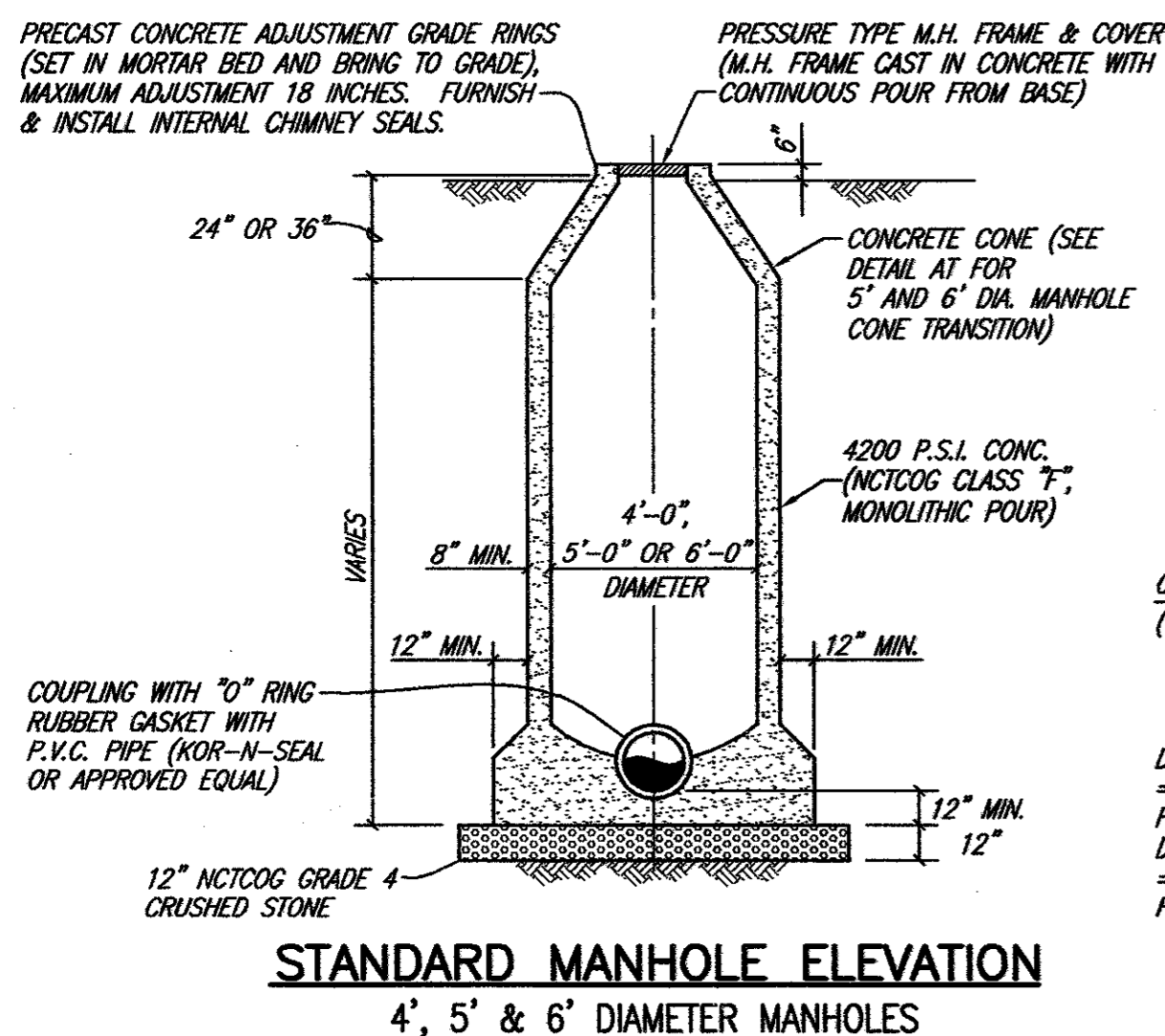
CLASS H EMBEDMENT
P.V.C. PIPE ONLY
STD. P.V.C. SEWER



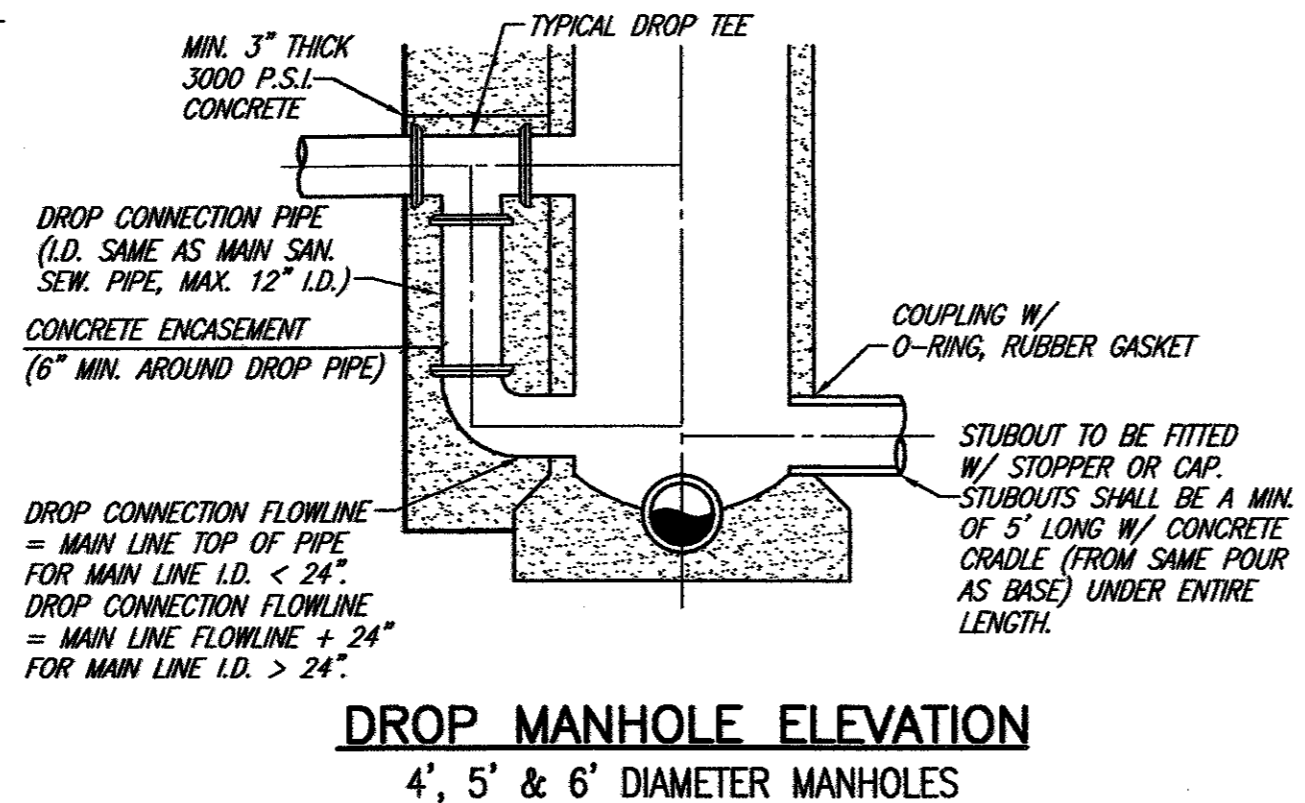
CLASS G EMBEDMENT
CONCRETE ENCASEMENT

NCTCOG GRADE 4 CRUSHED STONE:

SIEVE SIZE	PERCENT RETAINED
1 1/2"	0%
1"	0-5%
1/2"	40-75%
NO. 4	90-100%
NO. 8	95-100%

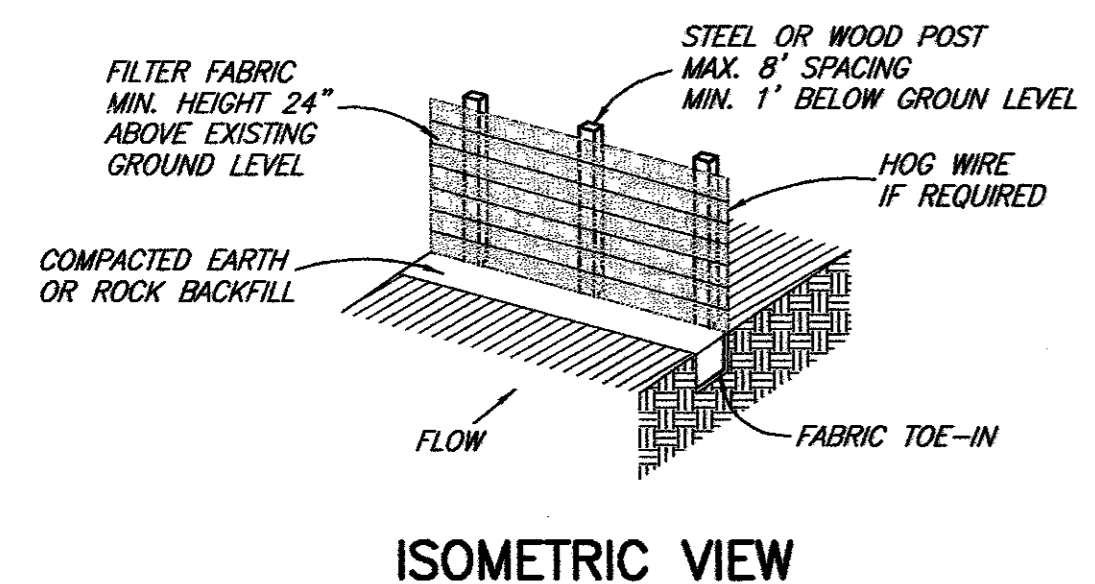


STANDARD MANHOLE ELEVATION
4', 5' & 6' DIAMETER MANHOLES

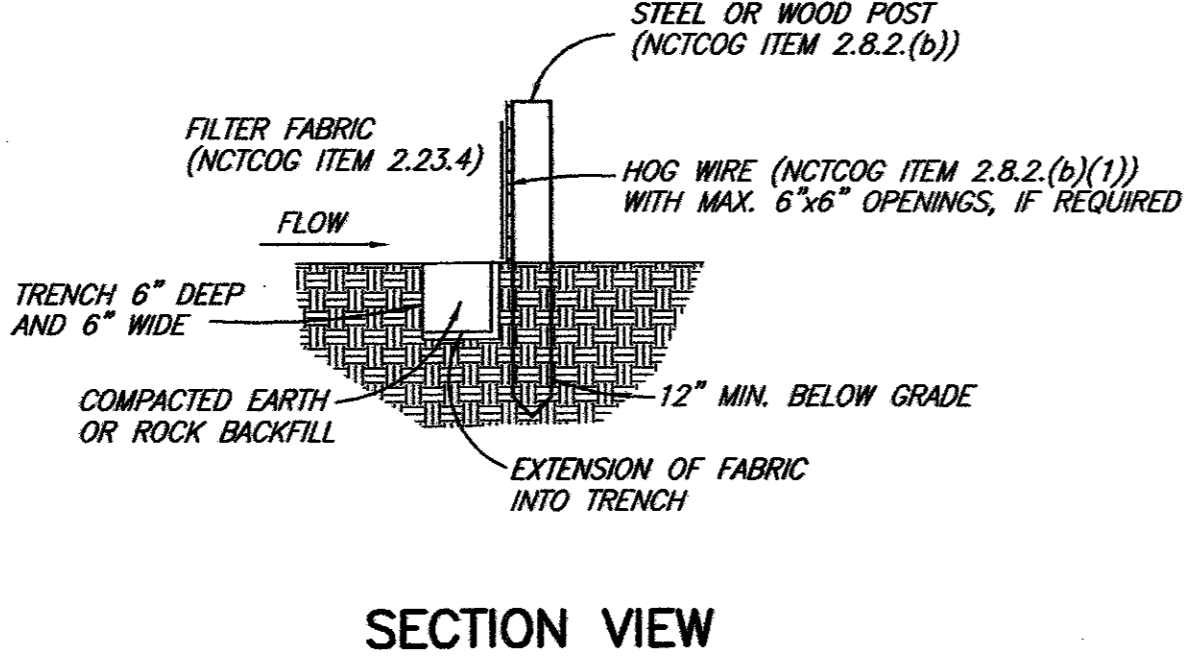


DROP MANHOLE ELEVATION
4', 5' & 6' DIAMETER MANHOLES

SANITARY SEWER MANHOLE (CAST IN PLACE)
PRECAST MANHOLES NOT ACCEPTABLE IN ADDISON. MANHOLES SHALL BE PLUMB TO WITHIN 1 INCH FOR EVERY 5 FEET OF VERTICAL DEPTH.
NO SCALE

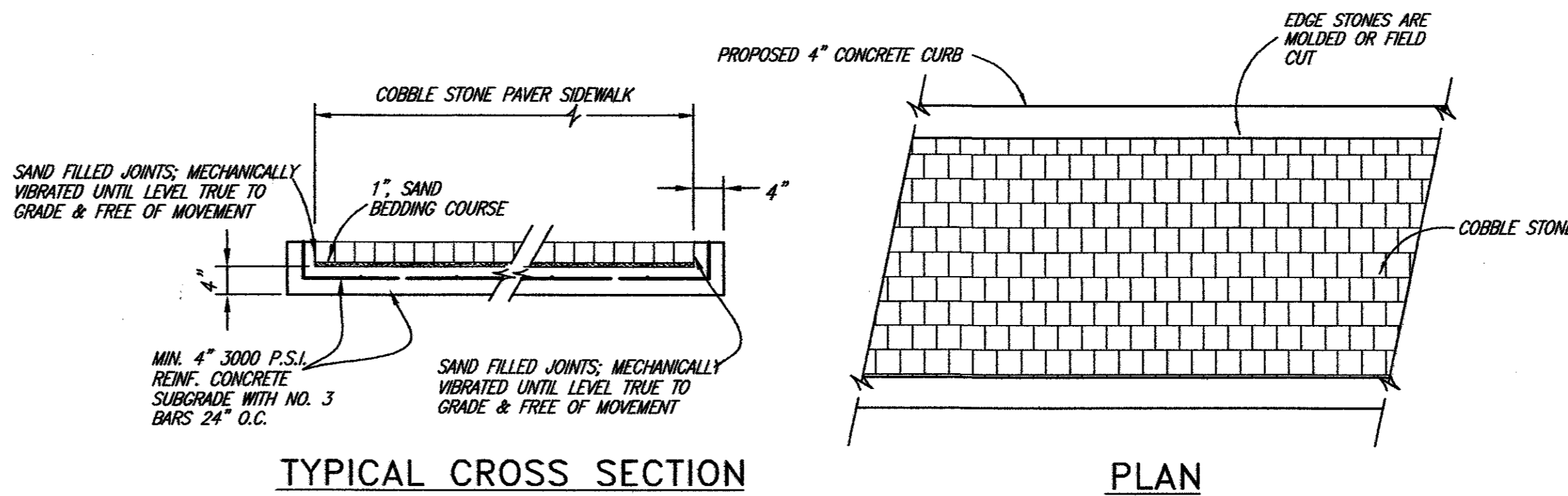


ISOMETRIC VIEW

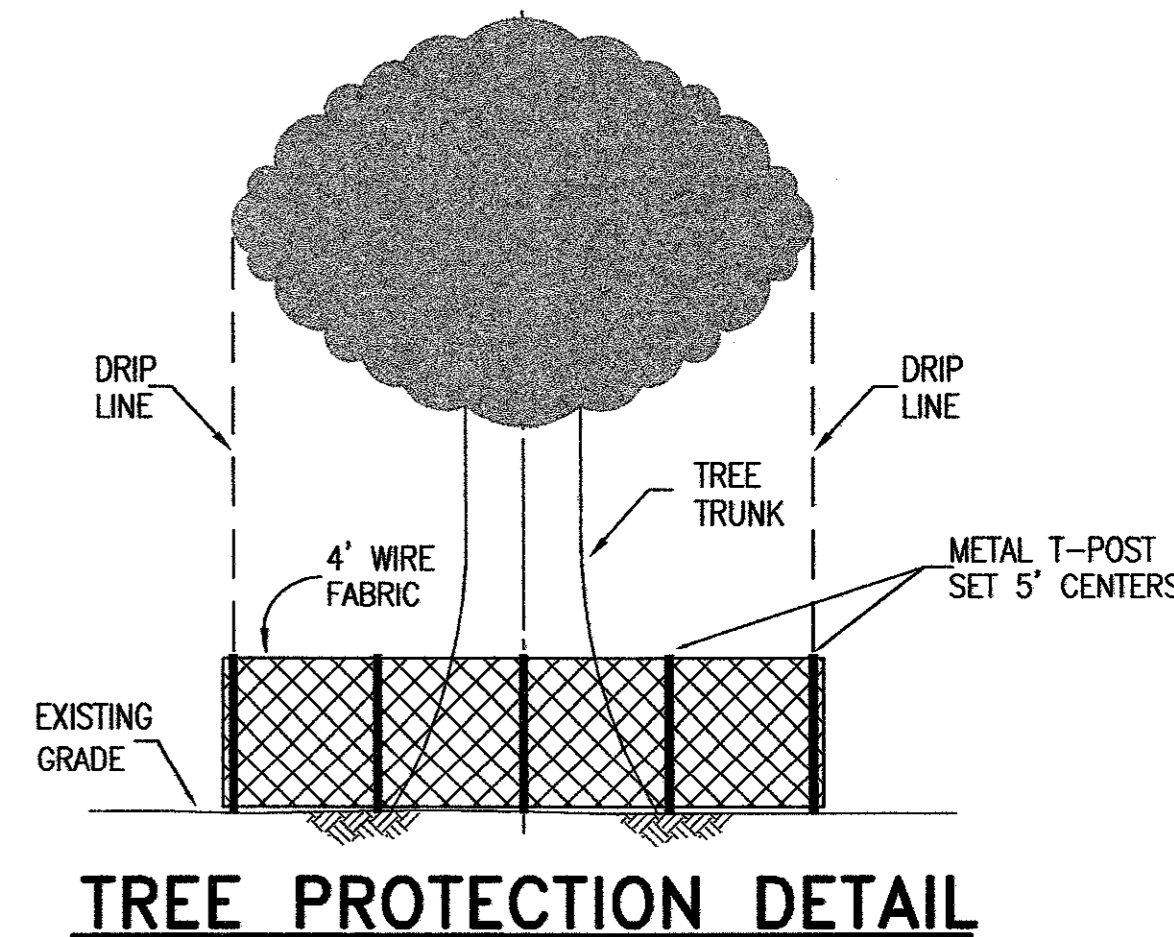


SECTION VIEW

SILT FENCE DETAIL
N.T.S.



TYPICAL CROSS SECTION
PLAN
SIDEWALK PAVING COBBLE STONE DETAIL



TREE PROTECTION DETAIL

These plans and related specifications were prepared for construction of this specific project only. Reuse of these documents is not permitted without written authorization of Birkhoff, Hendricks & Conway, L.L.P.

TOWN OF ADDISON, TEXAS

BROOKHAVEN CLUB DRIVE SANITARY SEWER LINE

DETAILS

BIRKHOFF, HENDRICKS & CONWAY, L.L.P.
CONSULTING ENGINEERS
Dallas, Texas

DESIGNED BY: J.W.B. PROJECT: 1999 123 SHEET NO. 10
DRAWN BY: S.J. & F. DATE: AUGUST, 2002 OF 11 SHEETS

THESE DOCUMENTS ARE FOR BIDDING, CONSTRUCTION, AND PERMIT PURPOSES.
John W. Birkhoff
DATE: 8/30/02

