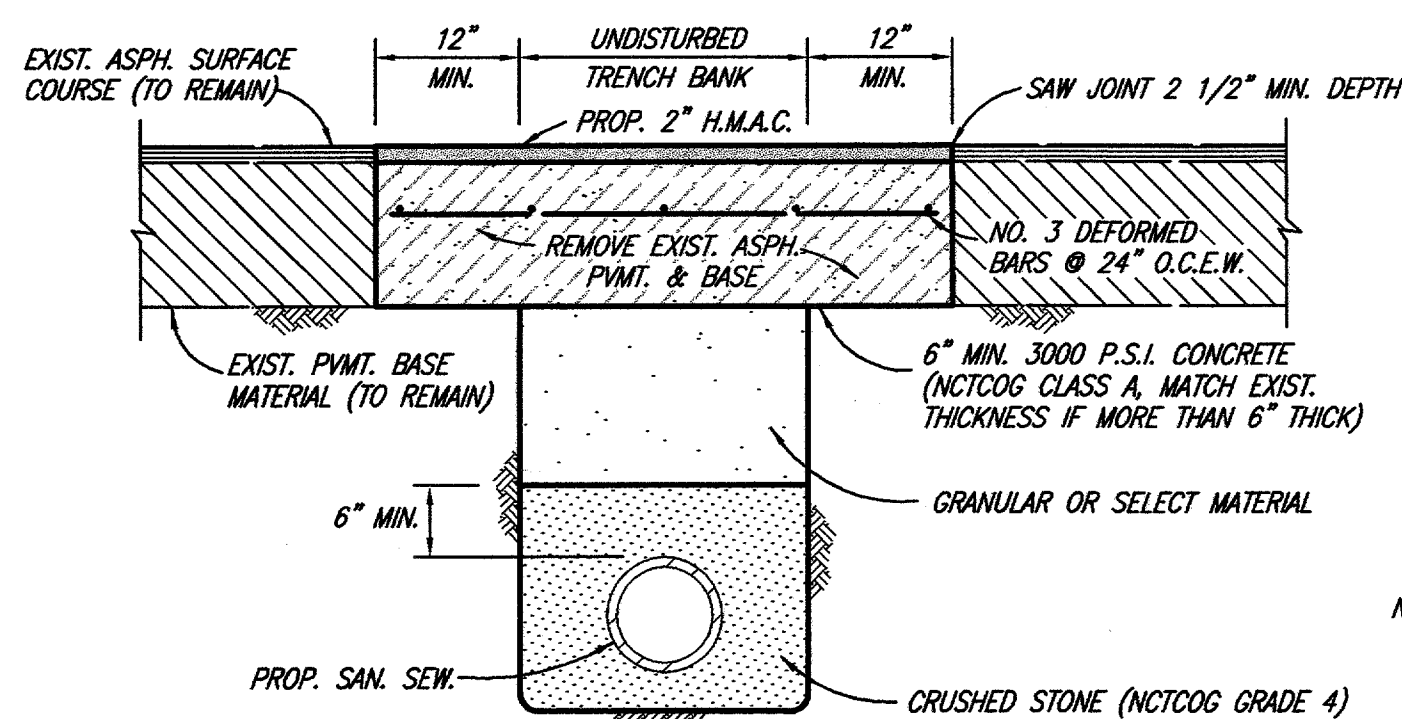


**STANDARD CLEANOUT**

NO SCALE



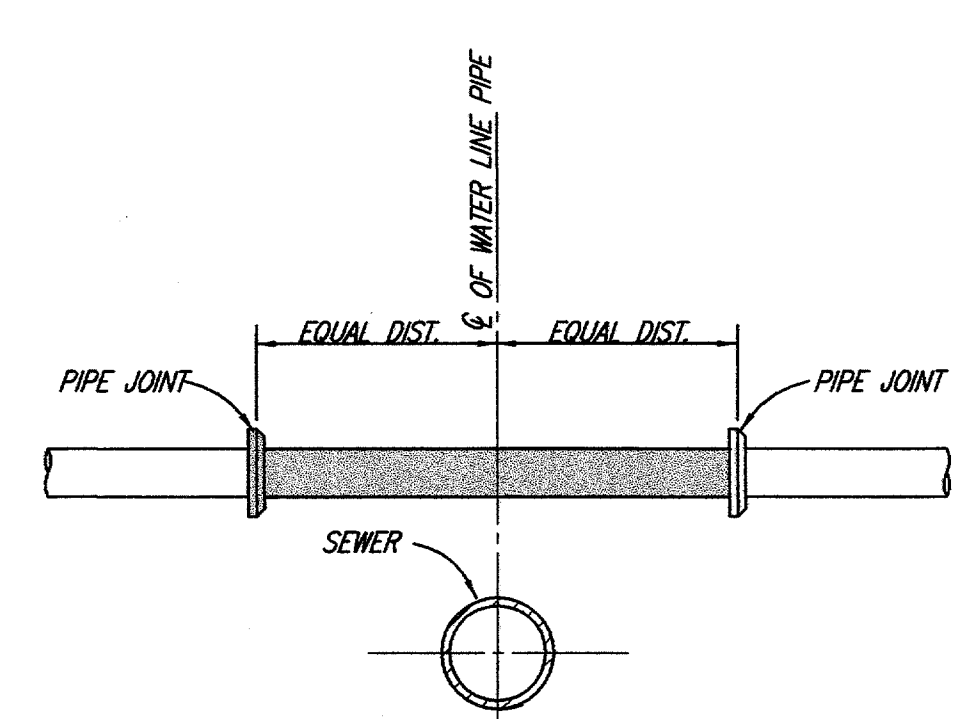
**ASPHALT STREET REPAIR**

(SEE SHEET NO. 6, 50 L.F. OF SEWER REPLACEMENT)

NO SCALE

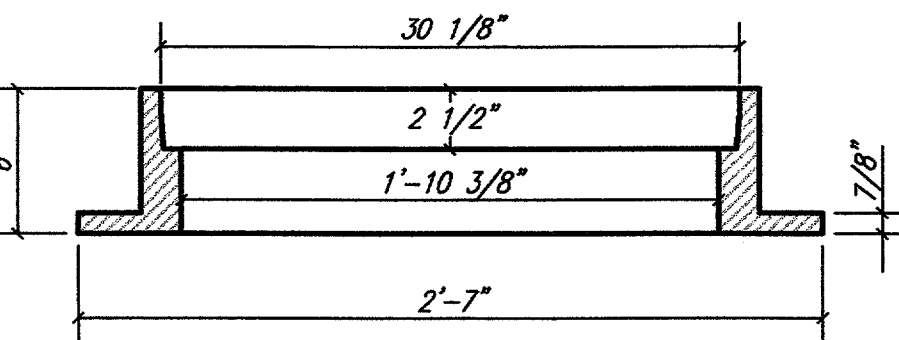
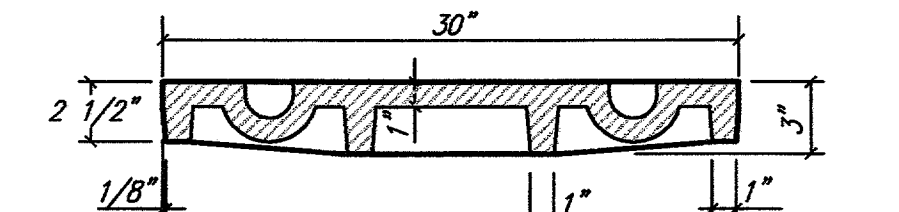
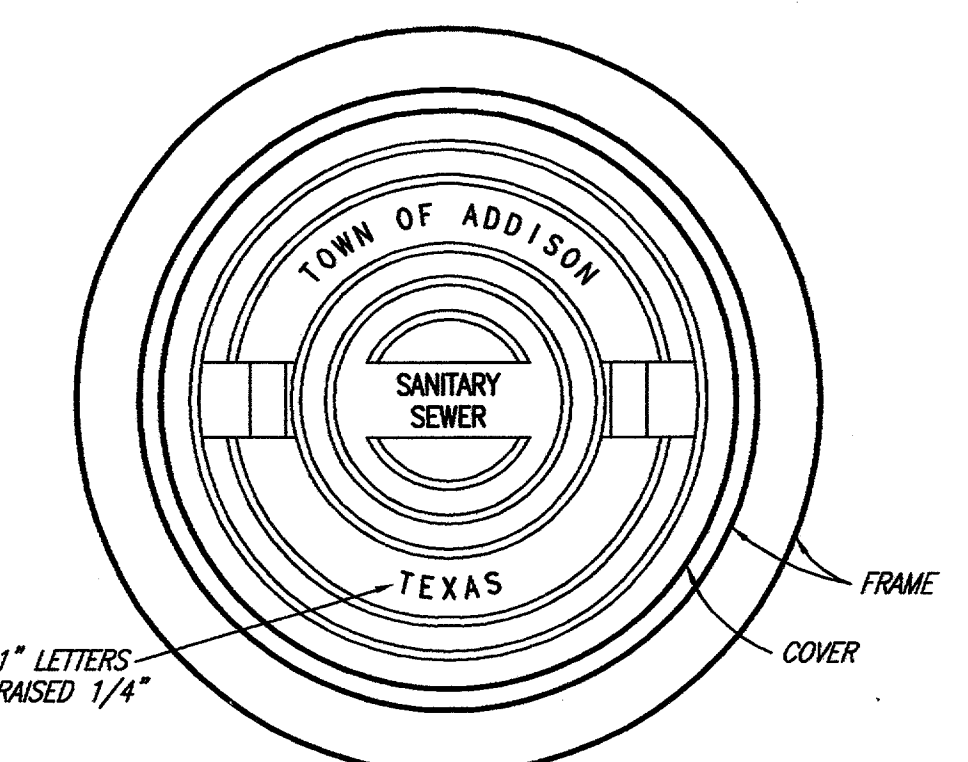
NCTCOG GRADE 4 CRUSHED STONE:

SIEVE SIZE	PERCENT RETAINED
1 1/2"	0%
1"	0-5%
1/2"	40-75%
NO. 4	90-100%
NO. 8	95-100%



**TYPICAL WATER/SEWER CROSSING**

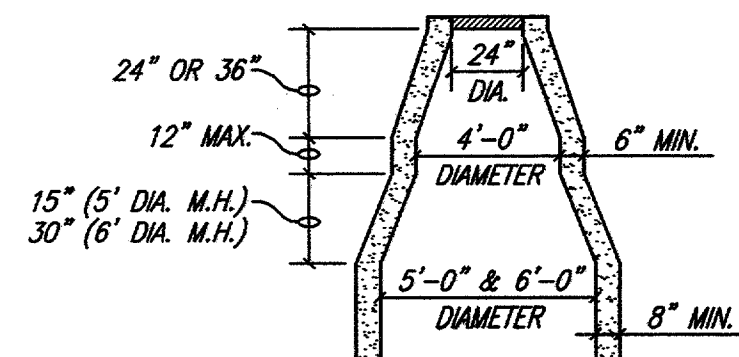
NO SCALE



NOTE: ASSEMBLY SHALL BE BASS & HAYS MODEL 400-24 (W/ PICK SLOTS) OR EQUAL (TOTAL WEIGHT 397 LBS.).

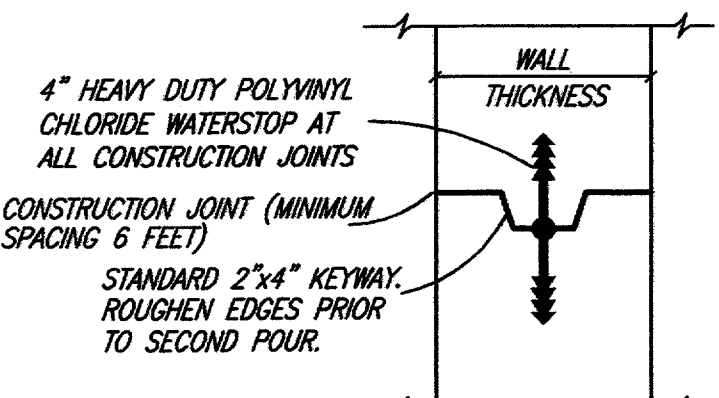
**MANHOLE RING AND COVER**

NO SCALE



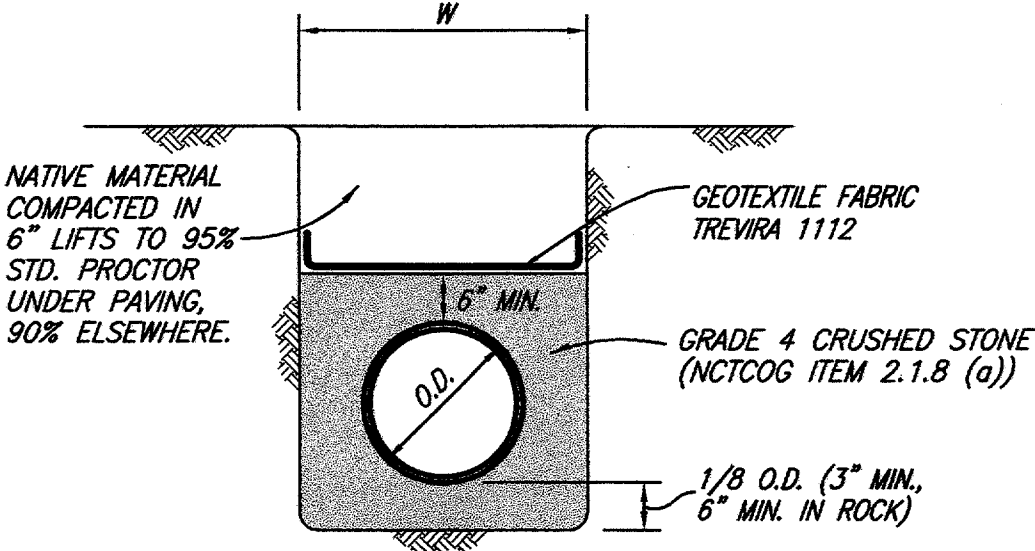
**CONE TRANSITION**

5' & 6' DIAMETER MANHOLES ONLY



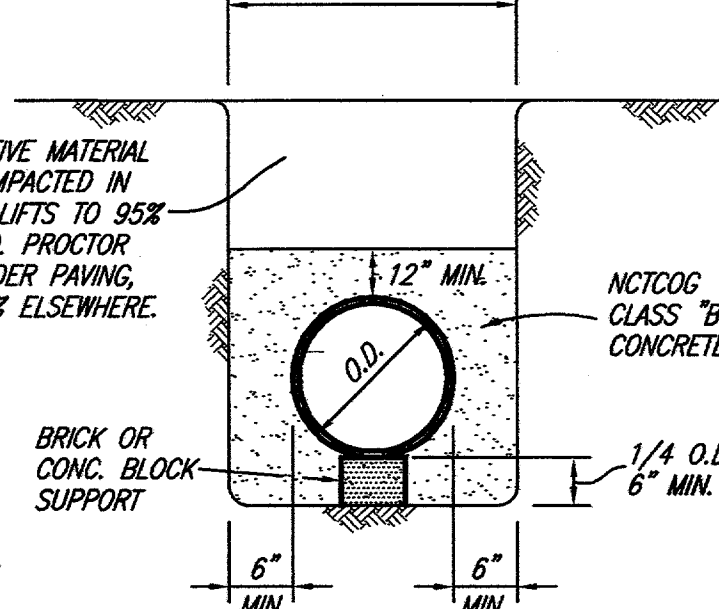
**MANHOLE CONSTRUCTION JOINT**

KEYWAY WITH WATERSTOP



**CLASS H EMBEDMENT**

P.V.C. PIPE ONLY  
STD. P.V.C. SEWER

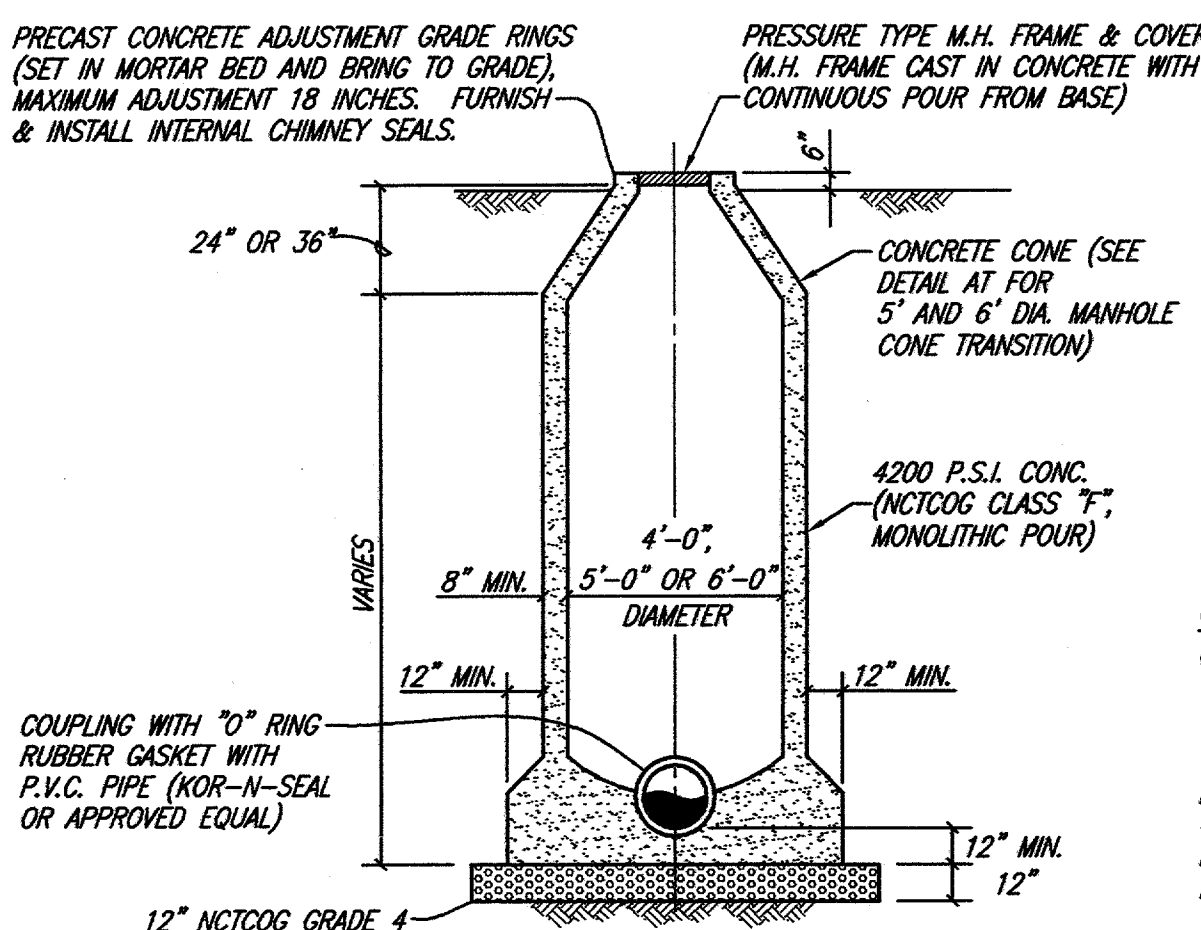


**CLASS G EMBEDMENT**

CONCRETE ENCASEMENT

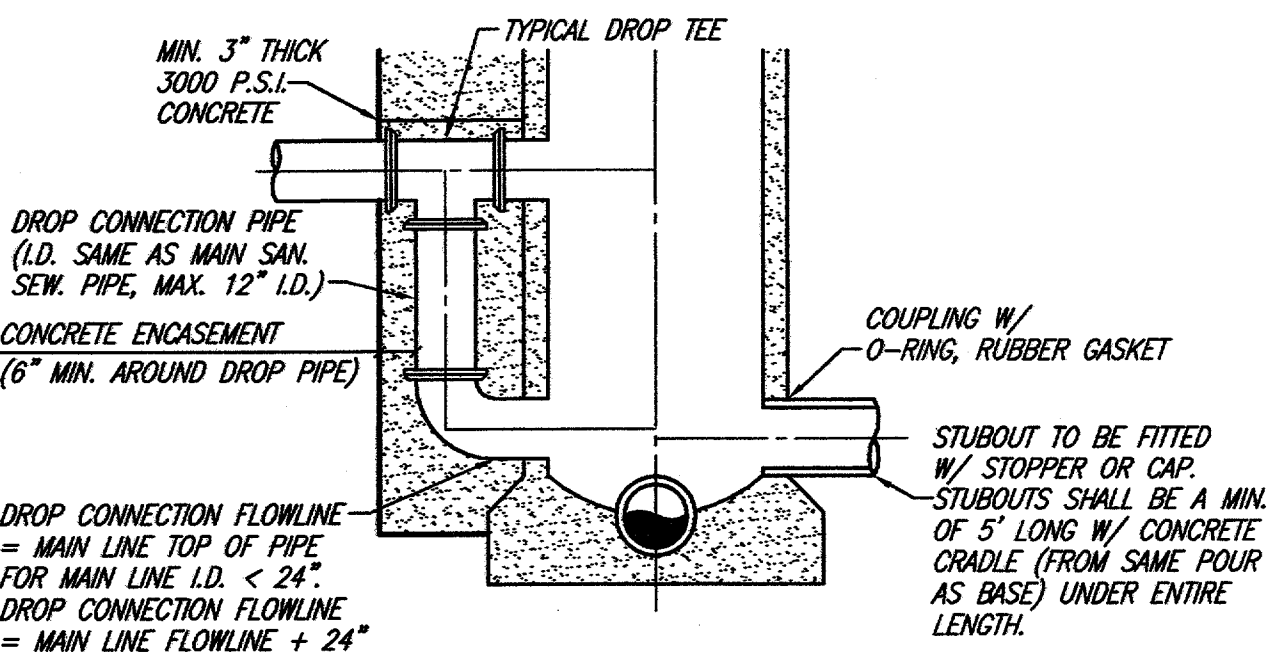
NCTCOG GRADE 4 CRUSHED STONE:

SIEVE SIZE	PERCENT RETAINED
1 1/2"	0%
1"	0-5%
1/2"	40-75%
NO. 4	90-100%
NO. 8	95-100%



**STANDARD MANHOLE ELEVATION**

4', 5' & 6' DIAMETER MANHOLES



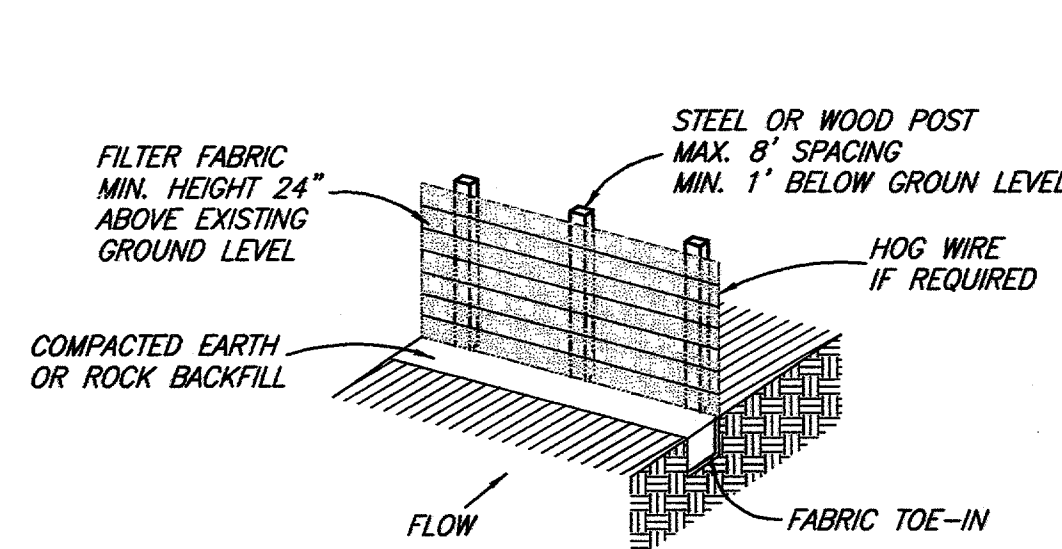
**DROP MANHOLE ELEVATION**

4', 5' & 6' DIAMETER MANHOLES

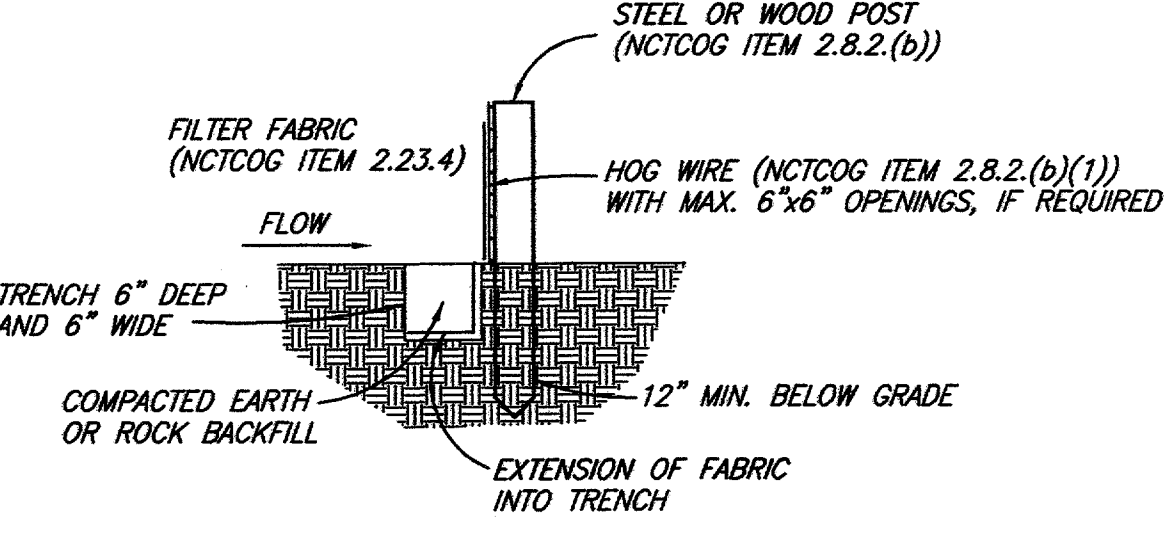
**SANITARY SEWER MANHOLE (CAST IN PLACE)**

PRECAST MANHOLES NOT ACCEPTABLE IN ADDISON. MANHOLES SHALL BE PLUMB TO WITHIN 1 INCH FOR EVERY 5 FEET OF VERTICAL DEPTH.

NO SCALE



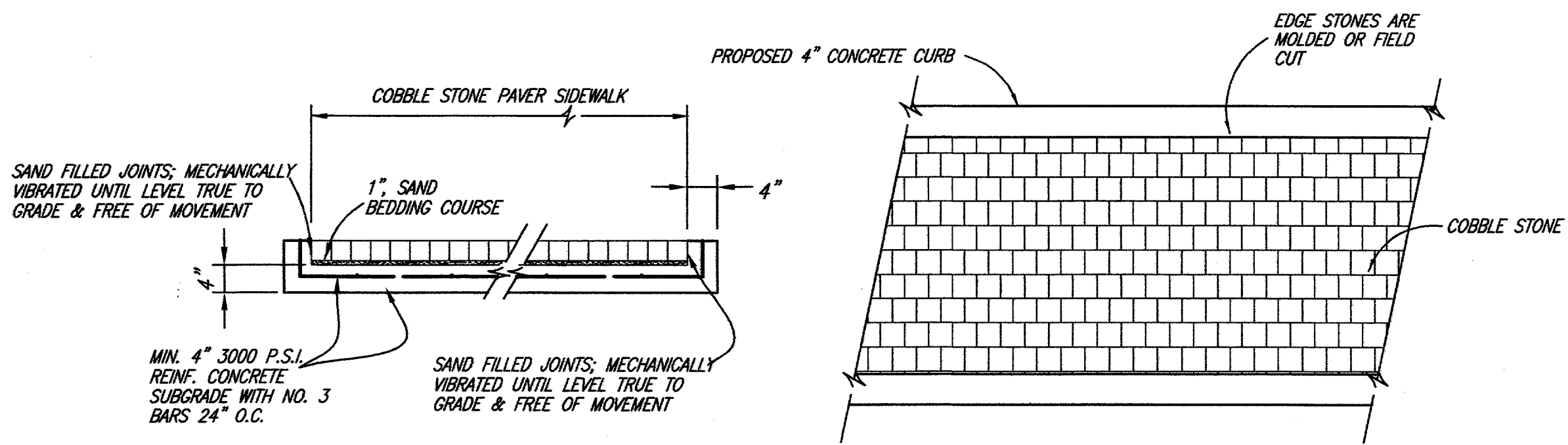
**ISOMETRIC VIEW**



**SECTION VIEW**

**SILT FENCE DETAIL**

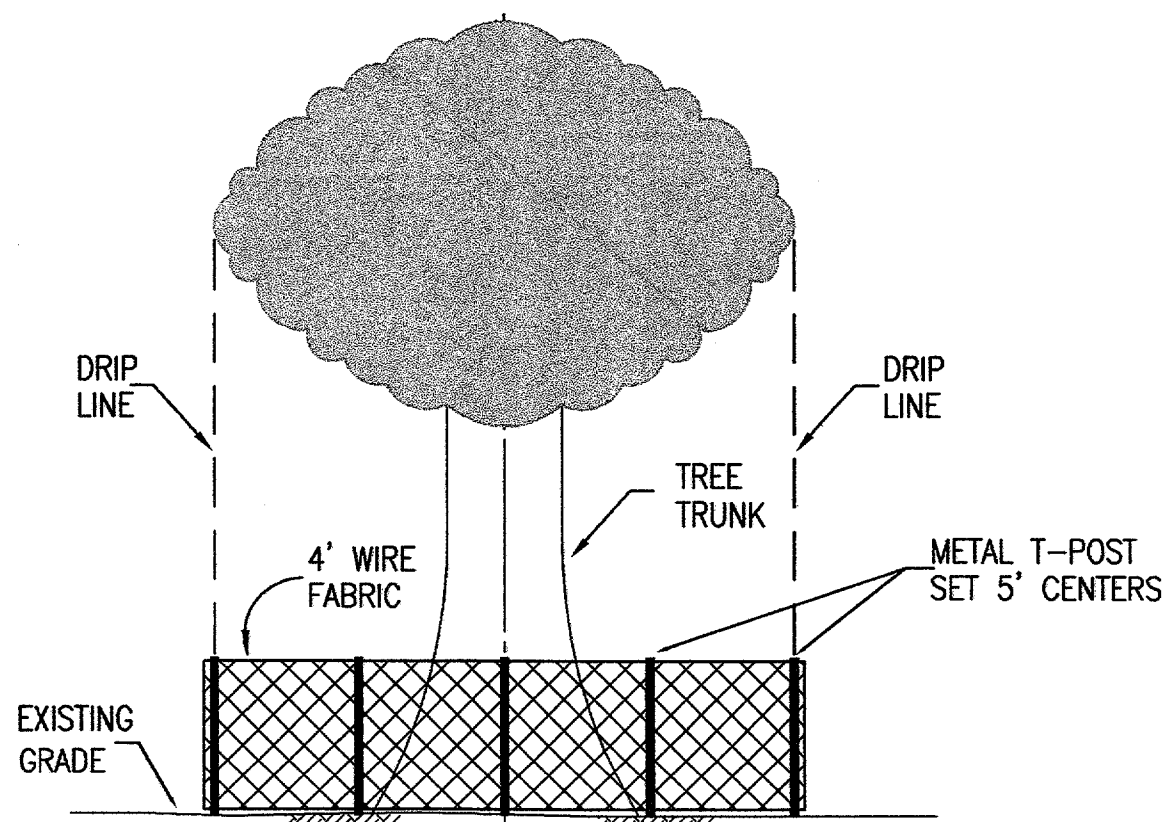
N.T.S.



**TYPICAL CROSS SECTION**

**PLAN**

**SIDEWALK PAVING COBBLE STONE DETAIL**



**TREE PROTECTION DETAIL**

These plans and related specifications were prepared for construction of this specific project only. Reuse of these documents is not permitted without written authorization of Birkhoff, Hendricks & Conway, L.L.P.

**TOWN OF ADDISON, TEXAS**

BROOKHAVEN CLUB DRIVE SANITARY SEWER LINE

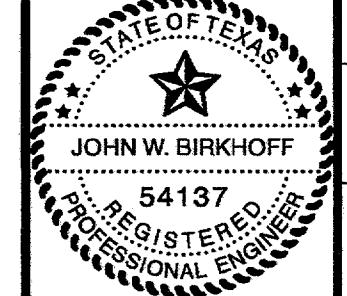
**DETAILS**

**BIRKHOFF, HENDRICKS & CONWAY, L.L.P.**  
CONSULTING ENGINEERS  
Dallas, Texas

DESIGNED BY: J.W.B.	PROJECT: 1999 123	SHEET NO. 10
DRAWN BY: S.J. & F.	DATE: AUGUST, 2002	OF 11 SHEETS

THESE DOCUMENTS ARE FOR BIDDING, CONSTRUCTION, AND PERMIT PURPOSES.

DATE: 8/30/02



08/30/02 R.L. 99123-14.DWG BLOCKS-ARR-2-W-SSX-YARDVLY, MANHOLE