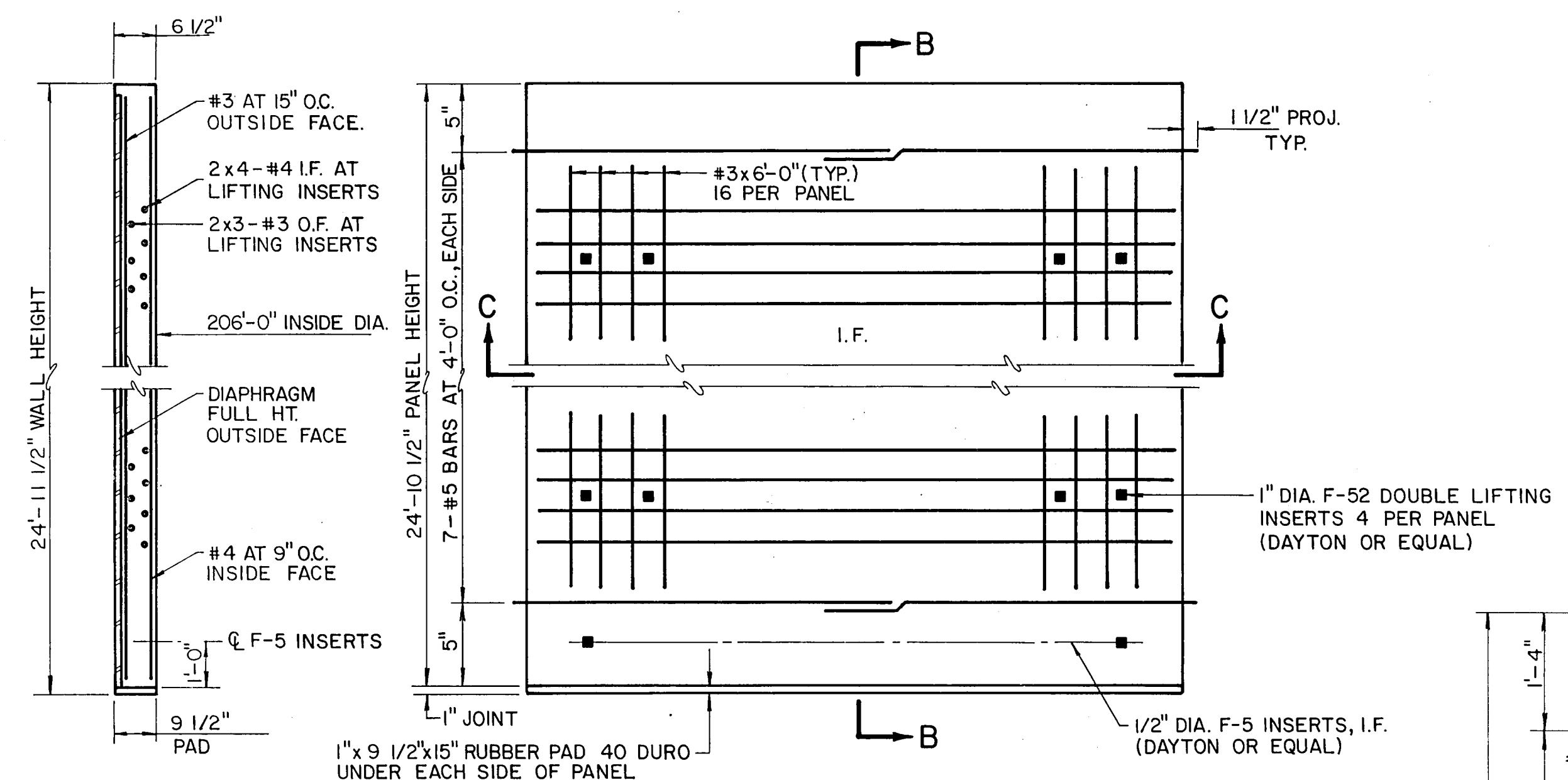
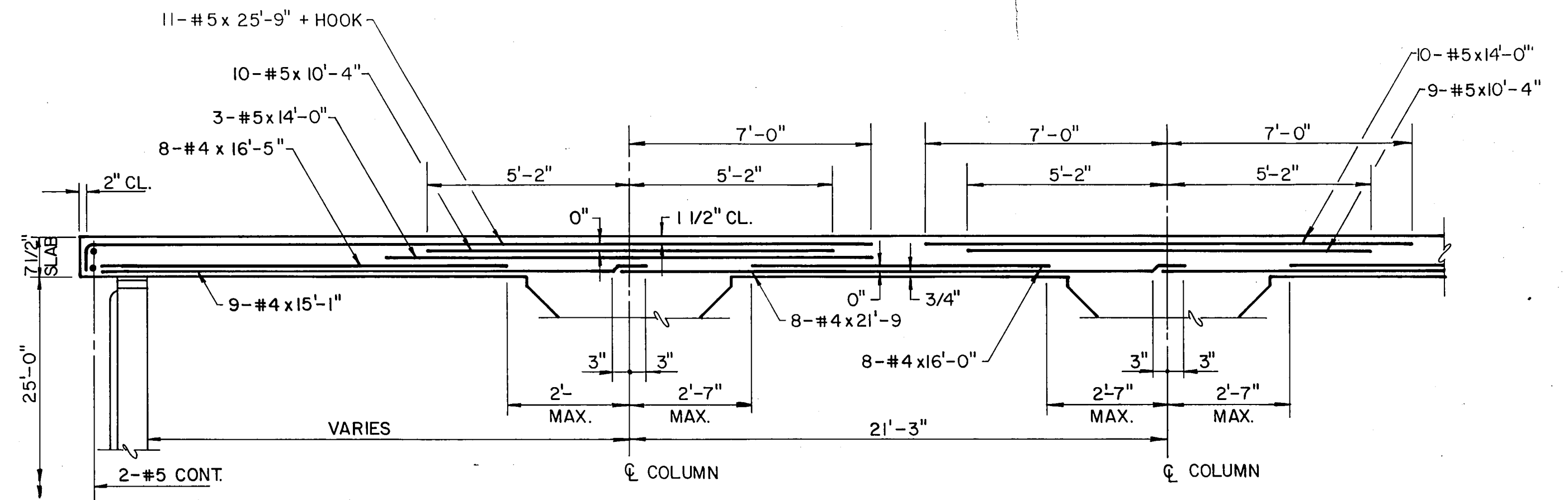


★ SECTION C-C

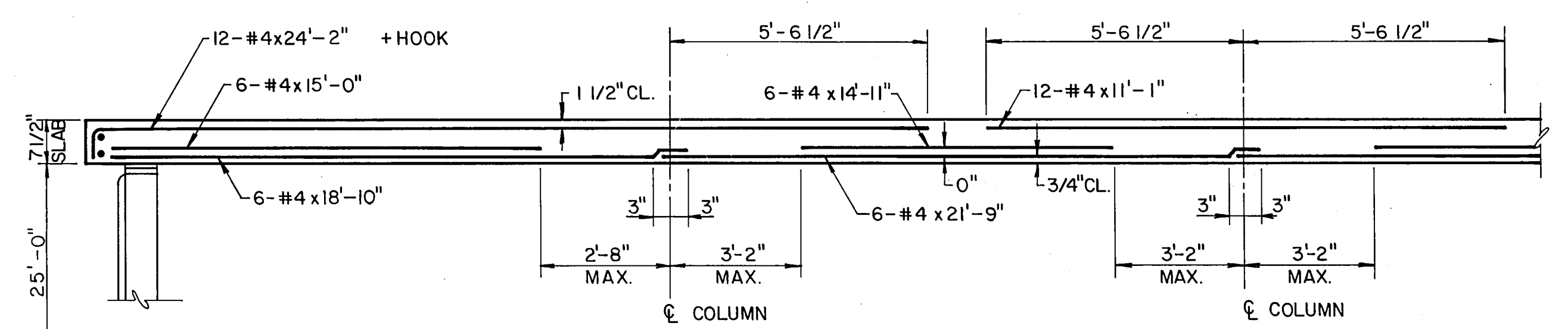


★ SECTION B-B

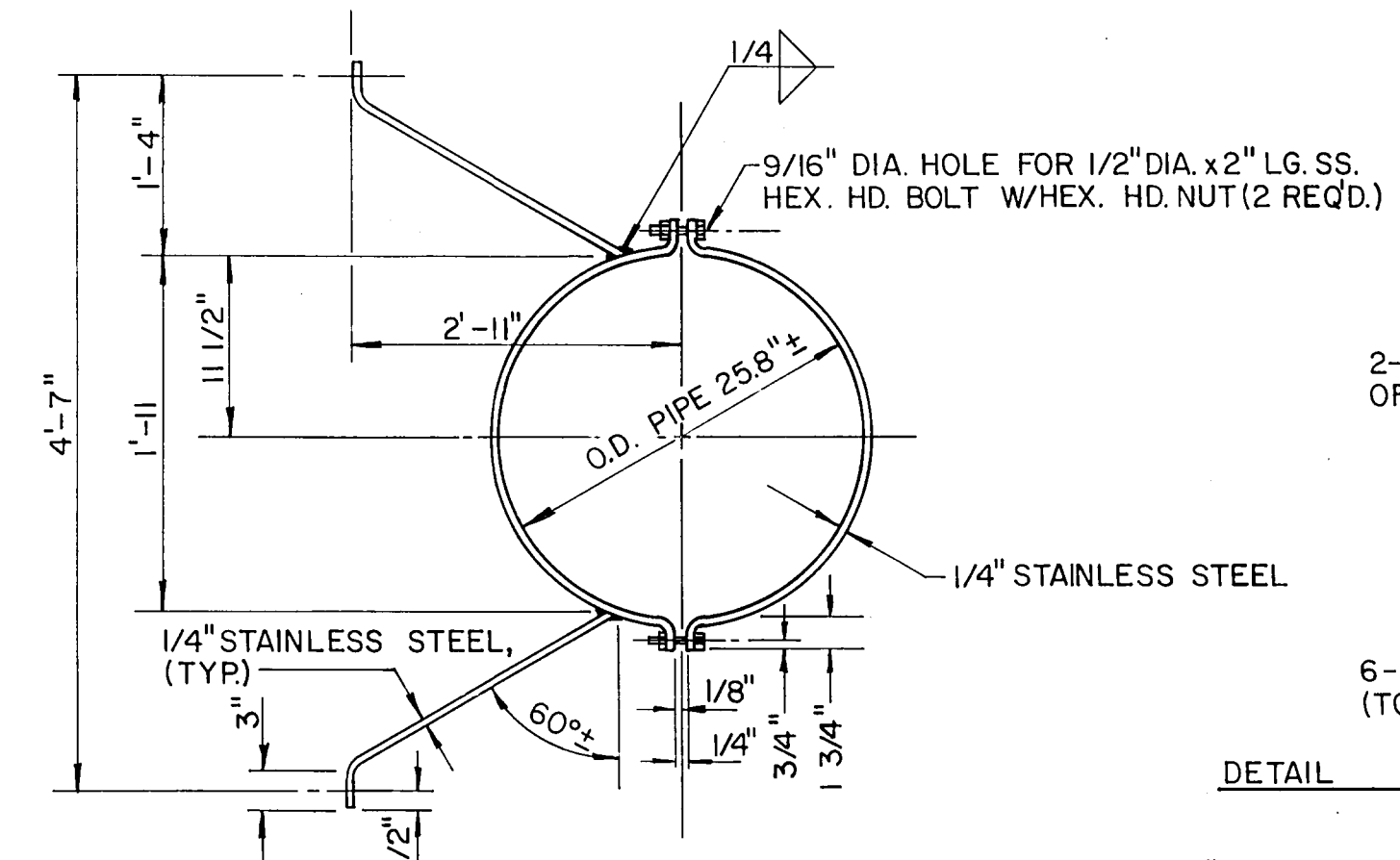
★ PANEL ELEVATION  
★ (60 REQ'D.)



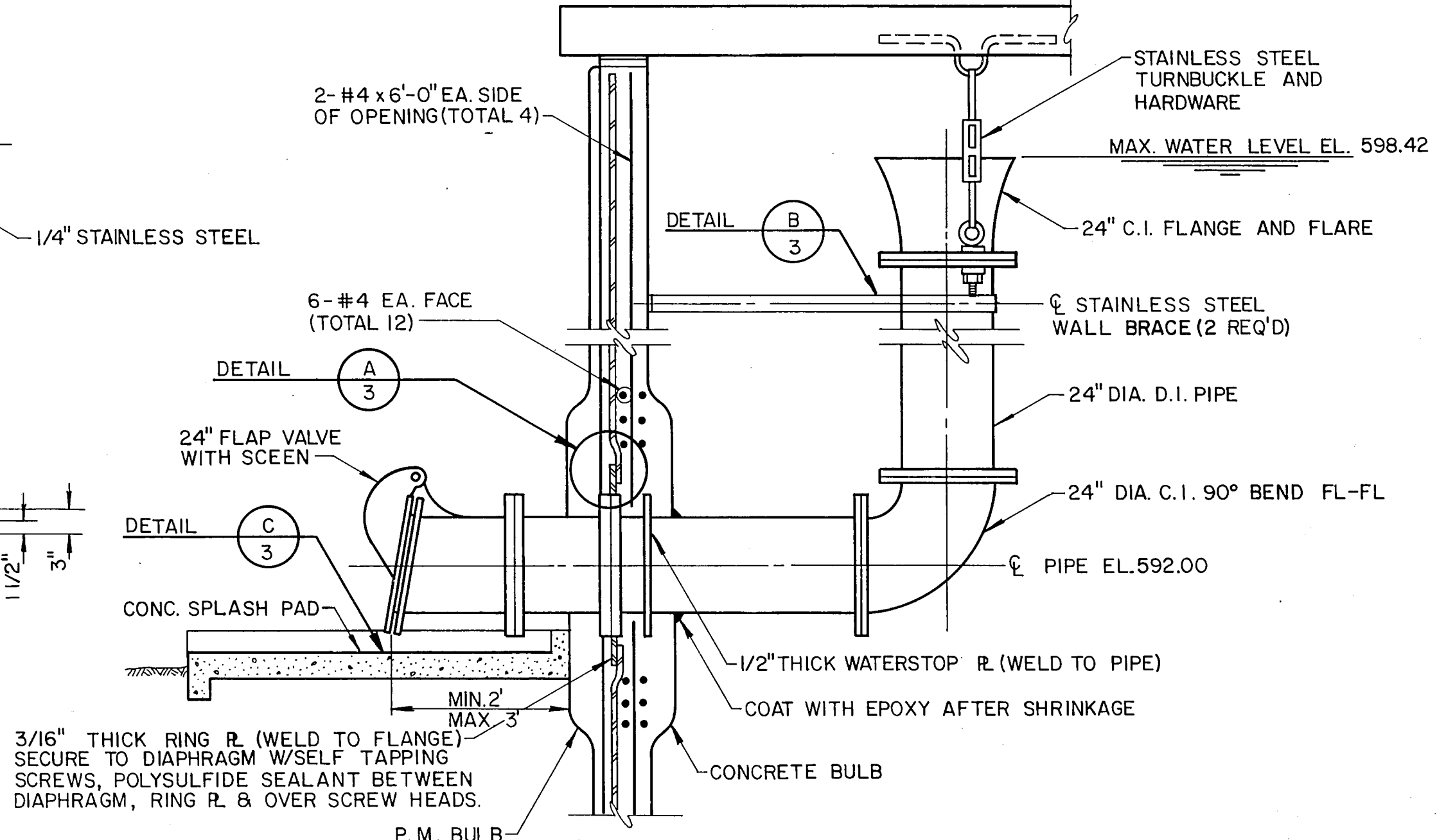
★ REINFORCEMENT THRU COLUMN STRIP



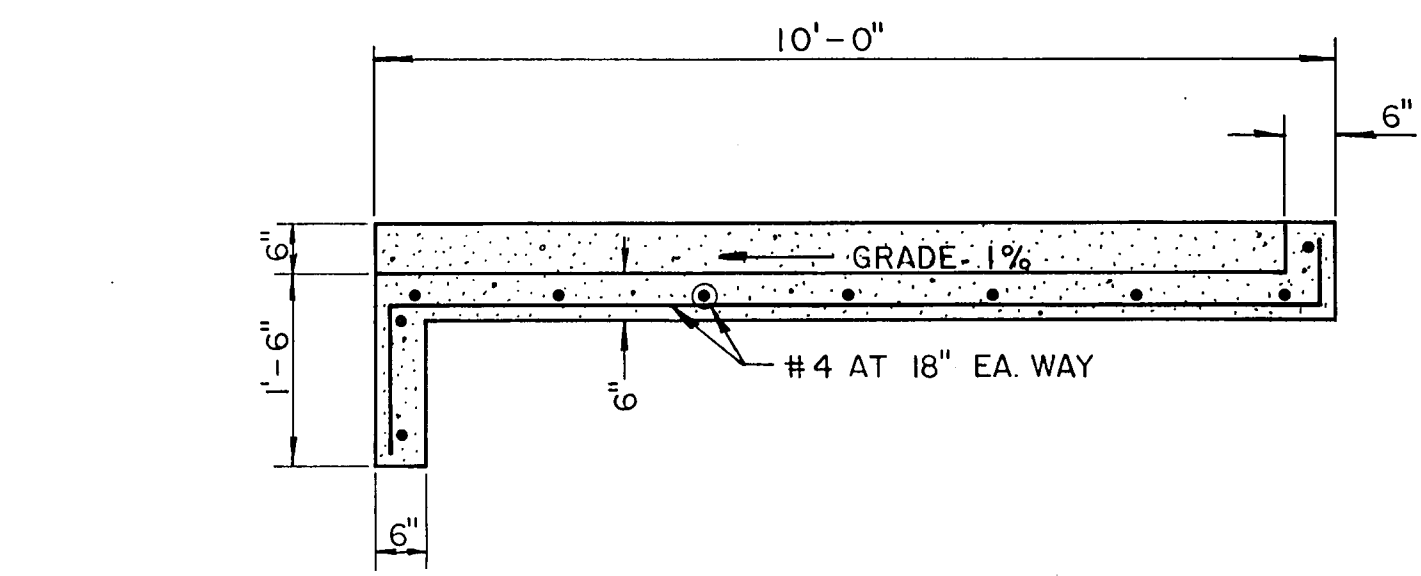
★ REINFORCEMENT THRU MIDDLE STRIP  
REINFORCEMENT SHOWN IN ONE DIRECTION ONLY FOR CLARITY



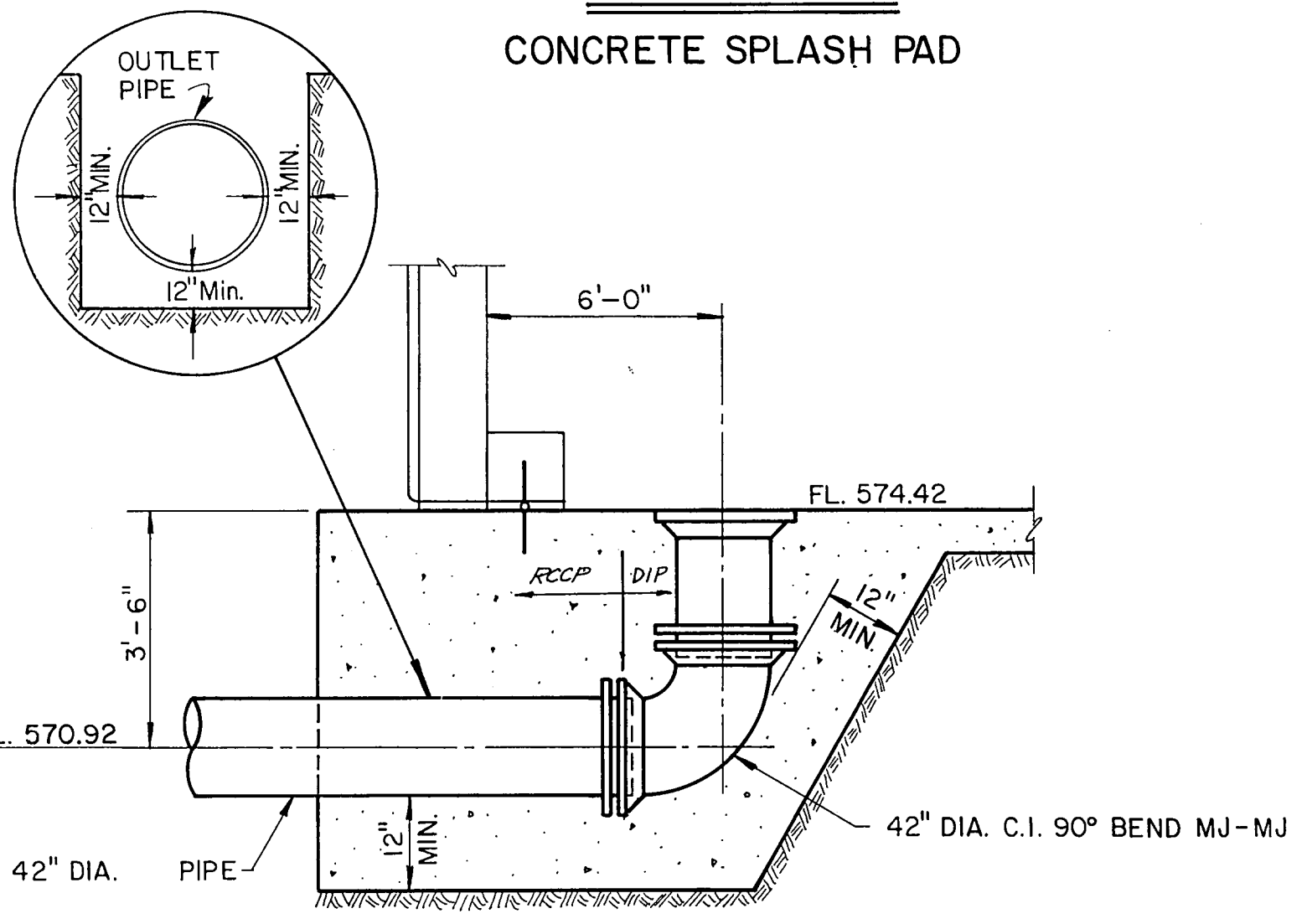
DETAIL B



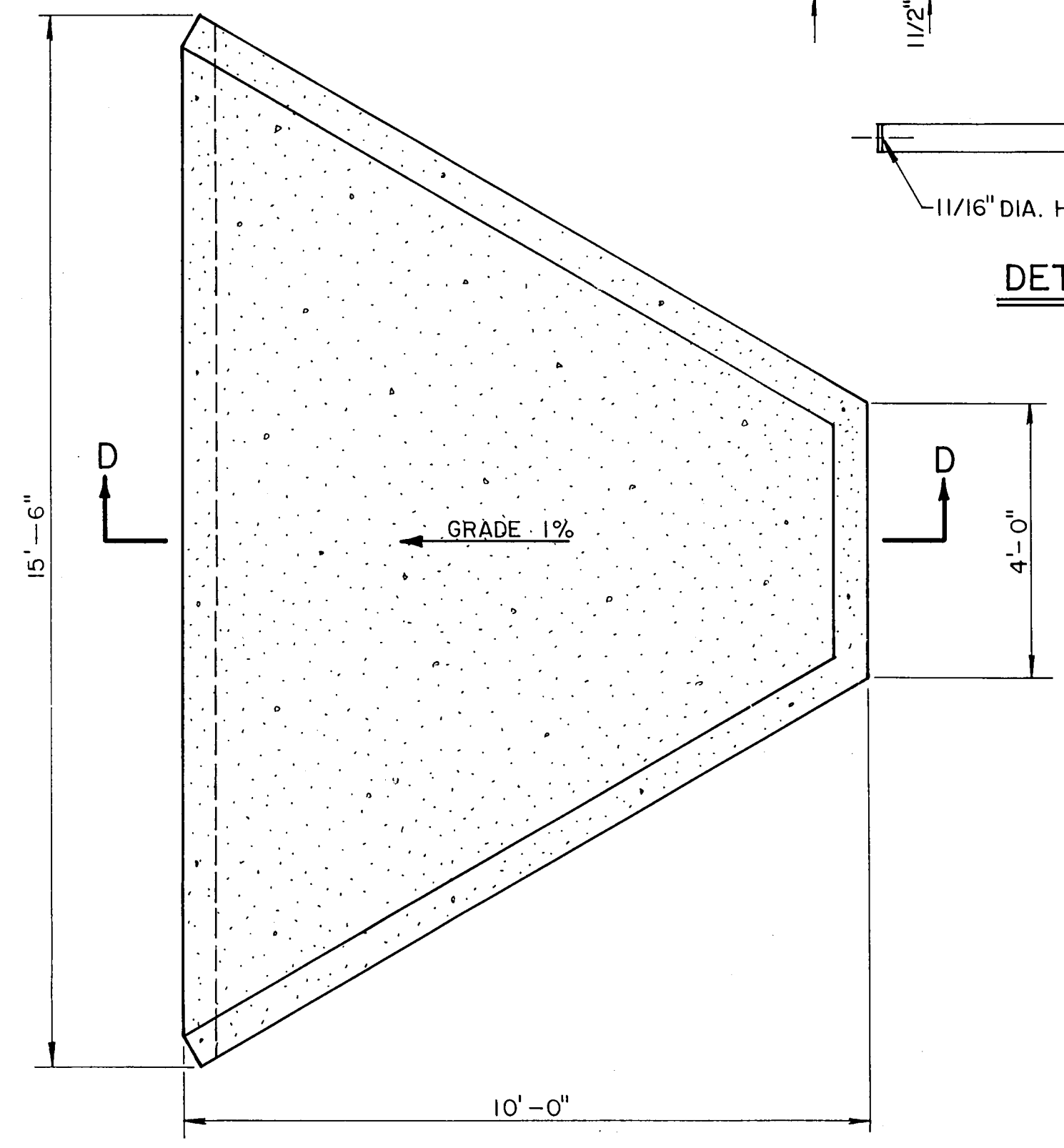
OVERFLOW DETAIL



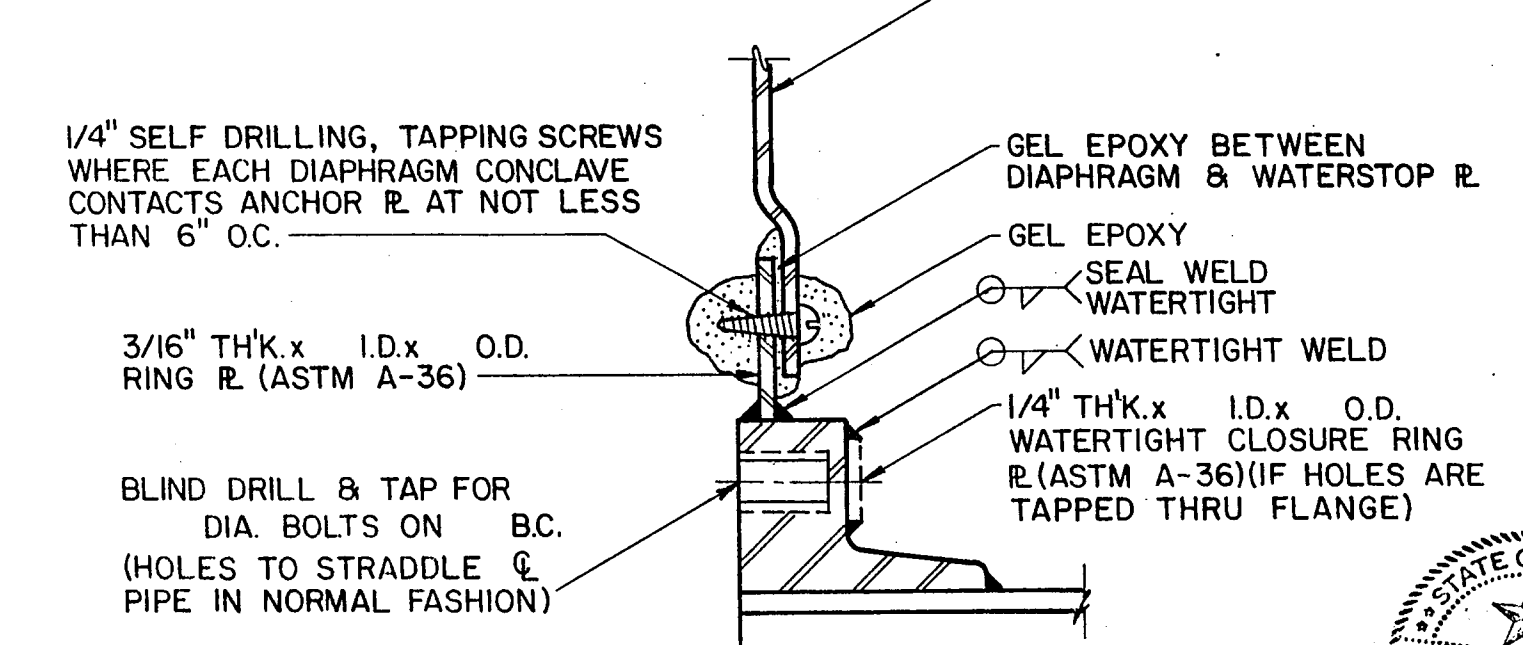
SECTION D-D  
CONCRETE SPLASH PAD



OUTLET PIPE DETAIL



DETAIL C



DETAIL A

RECORD COPY

CLARIFY OUTLET PIPE DETAIL		By	Date
No.	Revision	By	Date
TOWN OF ADDISON DALLAS COUNTY, TEXAS			
<b>6 MG CELESTIAL ROAD STORAGE TANK</b>			
<b>MISCELLANEOUS TANK DETAILS</b>			
<b>GINN, INC.</b>			
Consulting Engineers Dallas, Texas			
Designed - RCH	Drawn - ALA	Date - FEB. 1986	Job No. - 215
Approved - HWG	Checked - GF	Scale - NOT TO SCALE	Sheet 3 of 8

