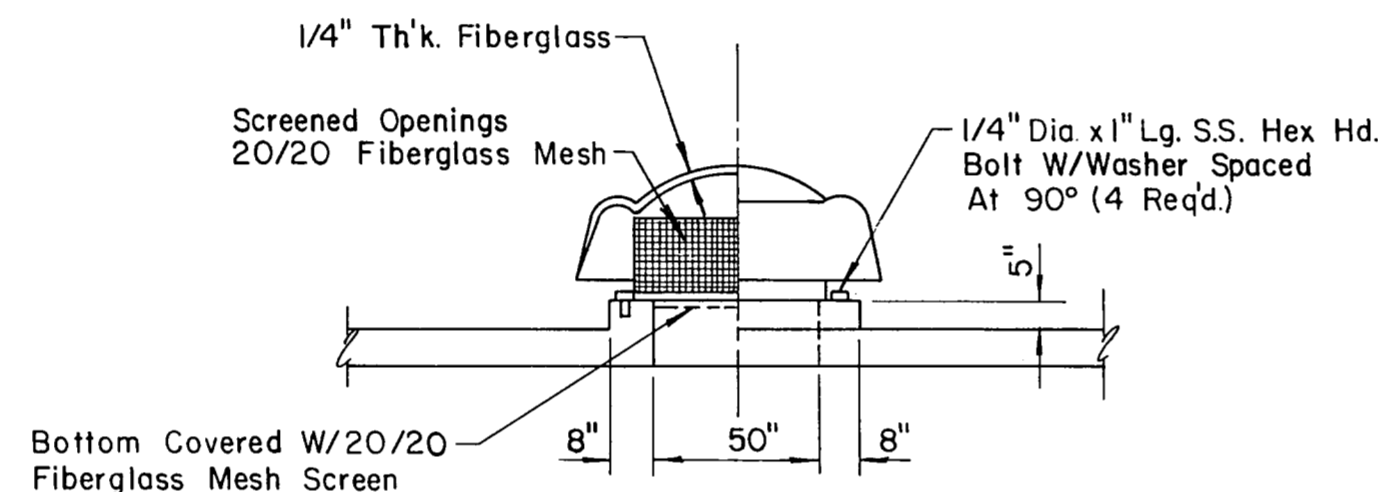
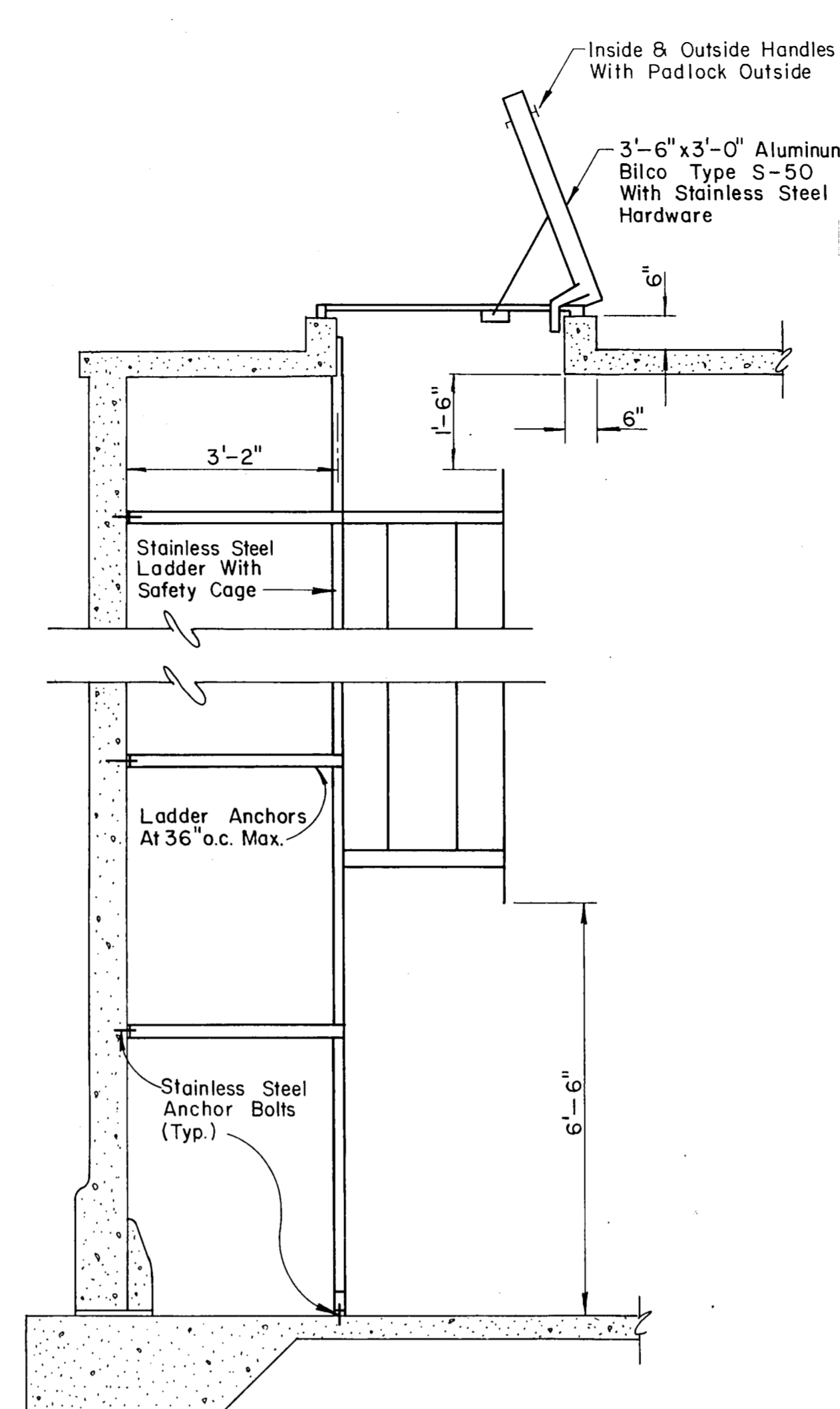


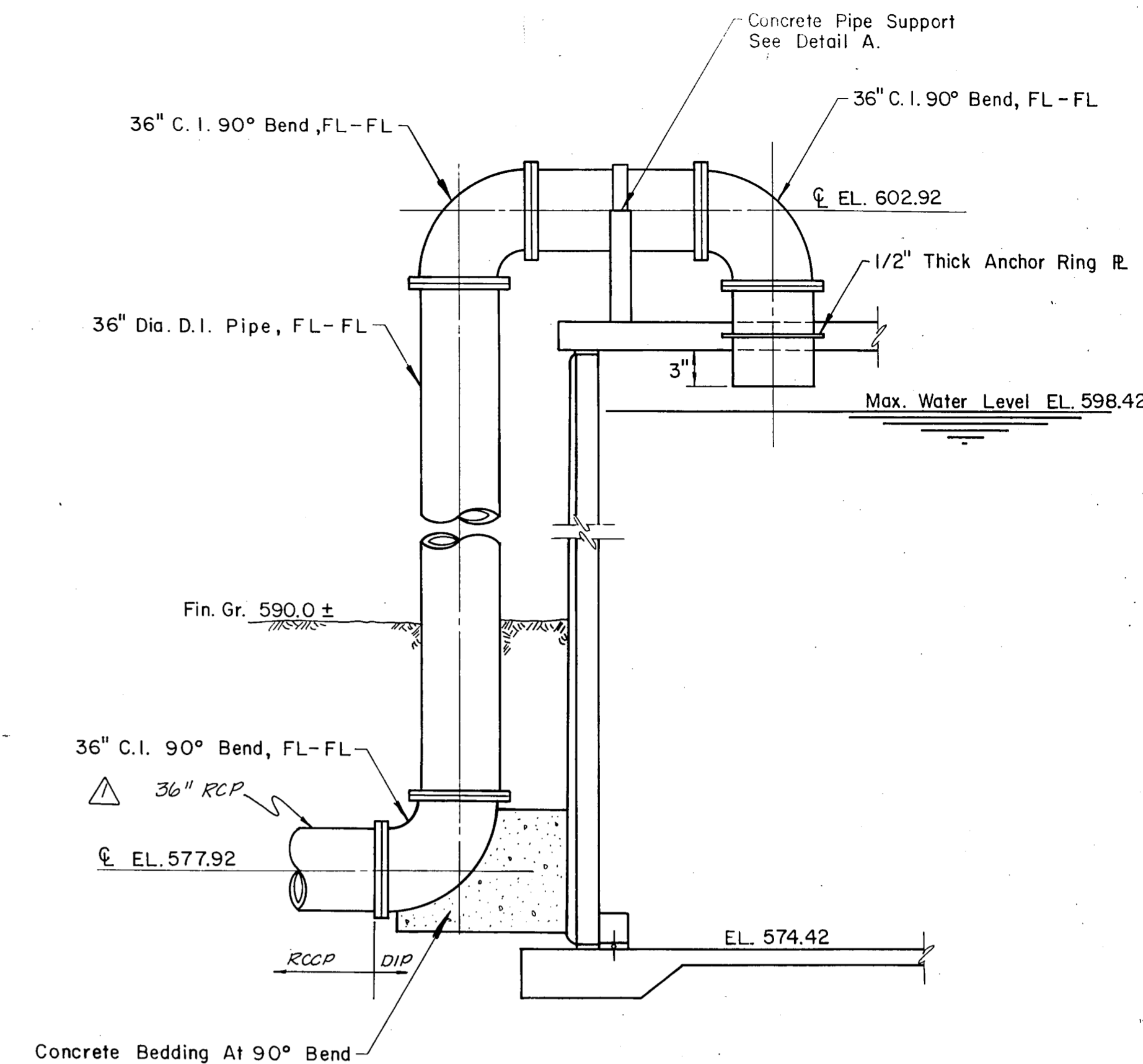
**ROOF VENT
ALTERNATIVE I**



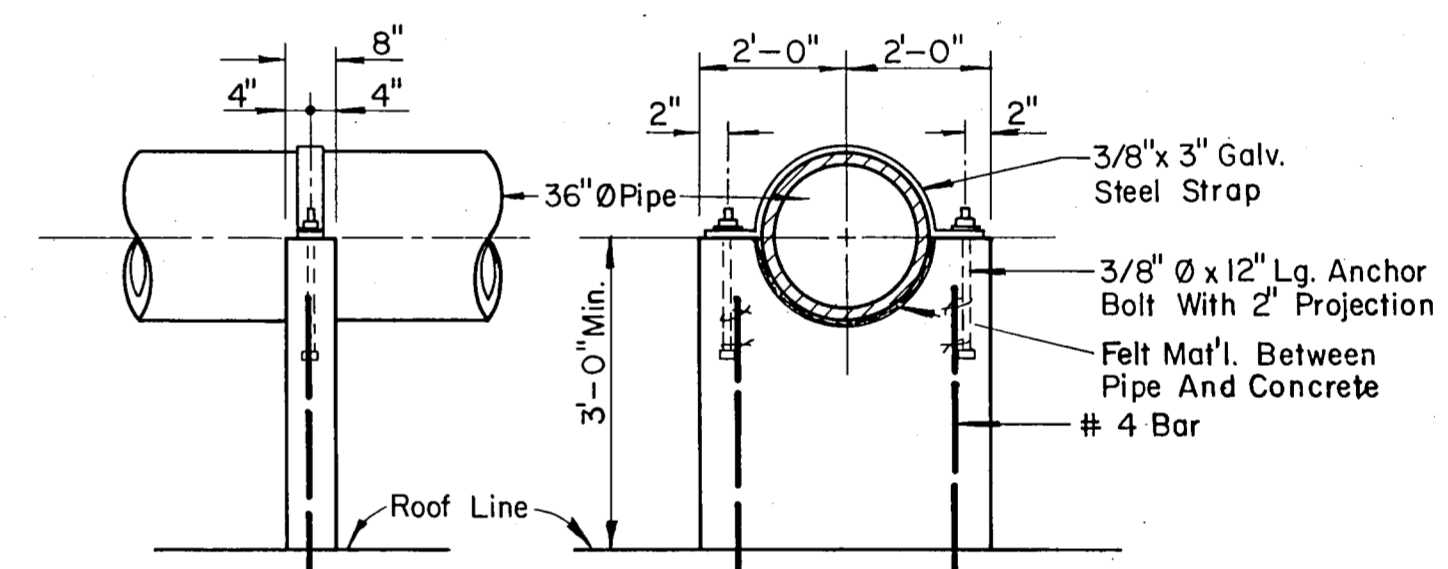
**ROOF VENT
ALTERNATIVE II**



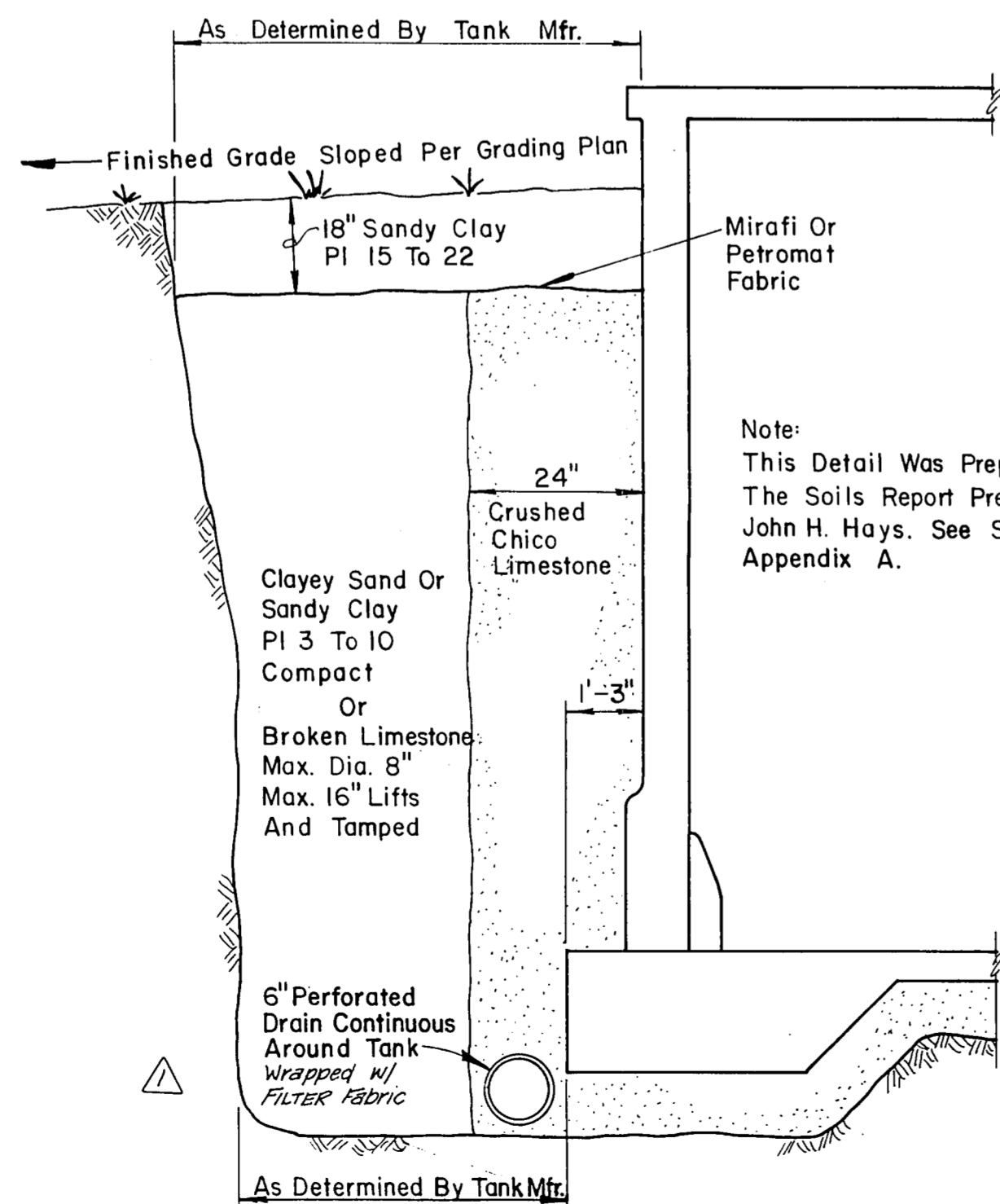
**ACCESS LADDER
AND HATCH DETAIL**



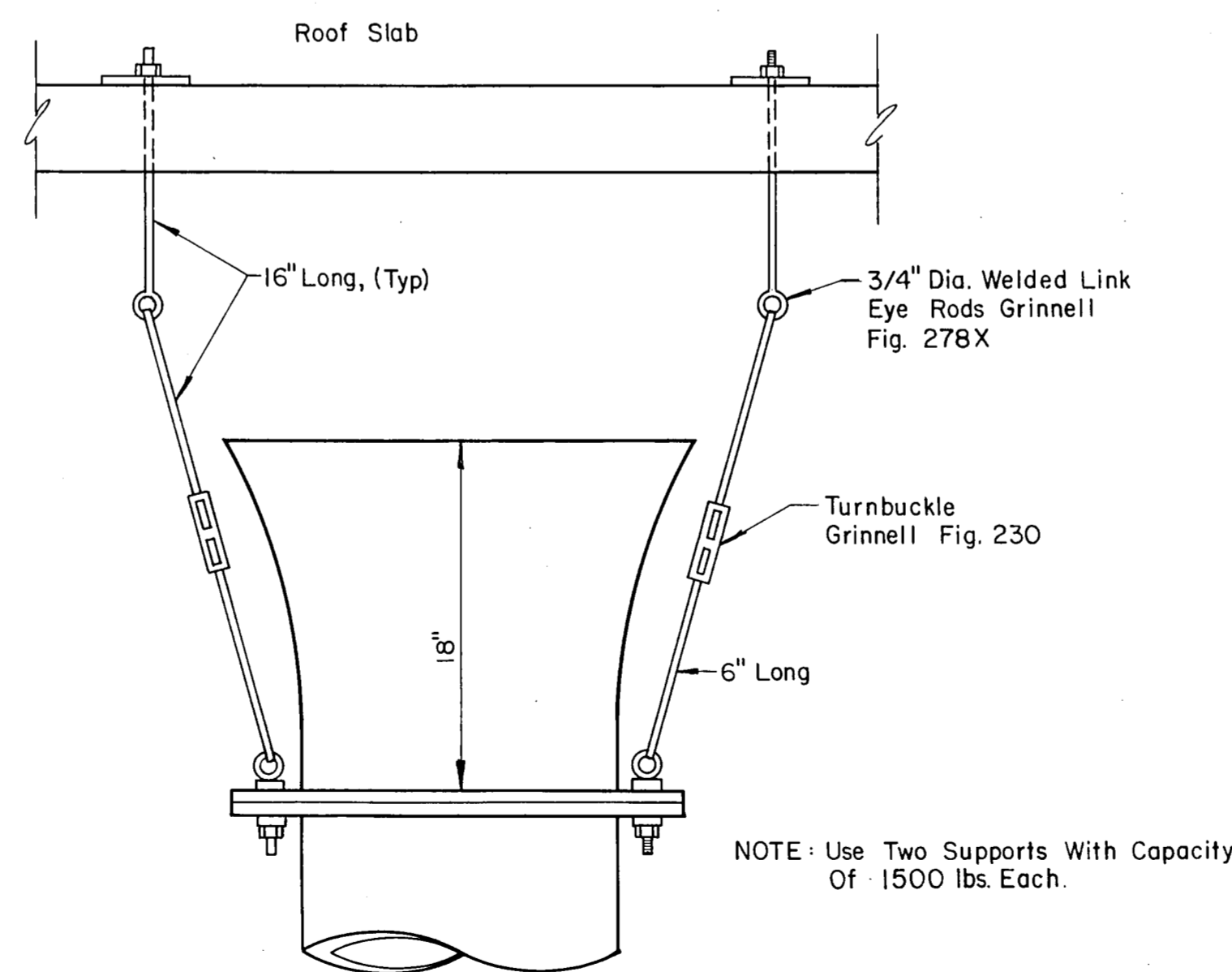
INLET PIPE



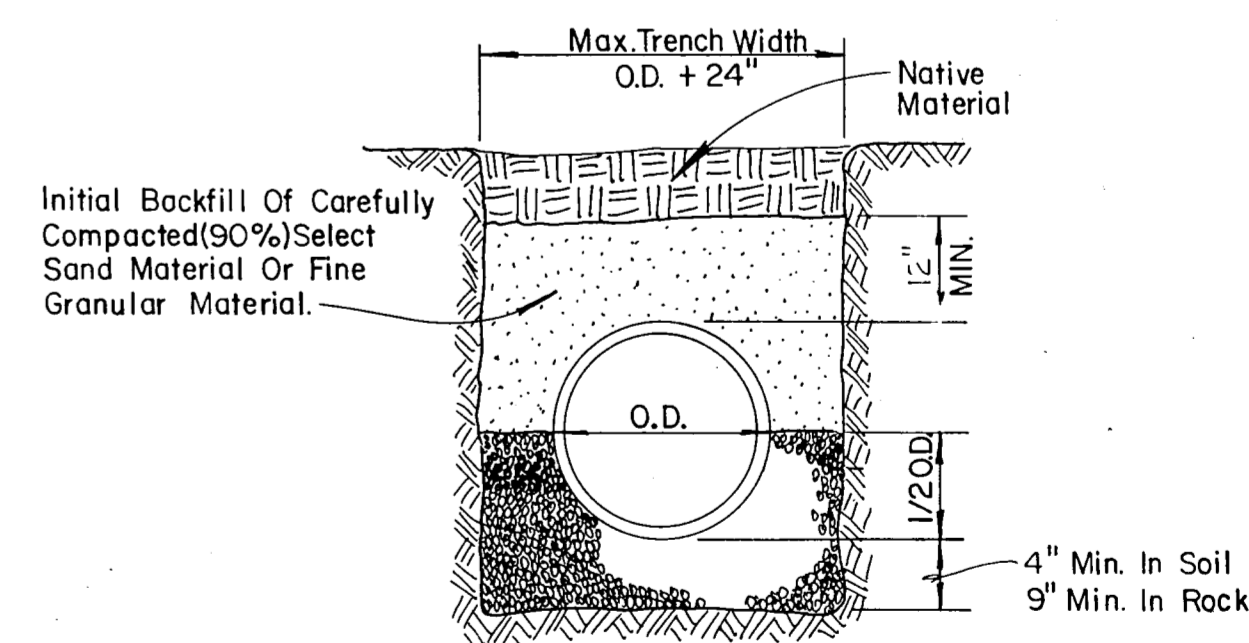
DETAIL A



TANK BACKFILL DETAIL



PIPE SUPPORT



**EMBEDMENT DETAIL
FOR WATERLINES**

RECORD COPY



ADDENDUM # 1		Revision	By	Date
No.				
TOWN OF ADDISON DALLAS COUNTY, TEXAS 6 MG CELESTIAL ROAD STORAGE TANK MISCELLANEOUS TANK DETAILS GINN, INC. Consulting Engineers Dallas, Texas				
Designed - RCH	Drawn - ALA	Date - FEB. 1986	Job No. - 215	
Approved - HWG	Checked - GF	Scale - NOT TO SCALE	Sheet 5 of 8	