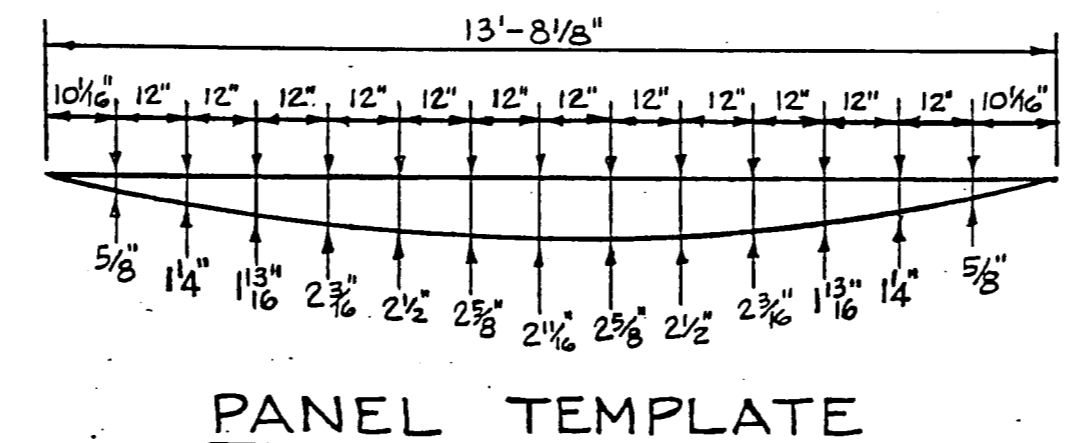


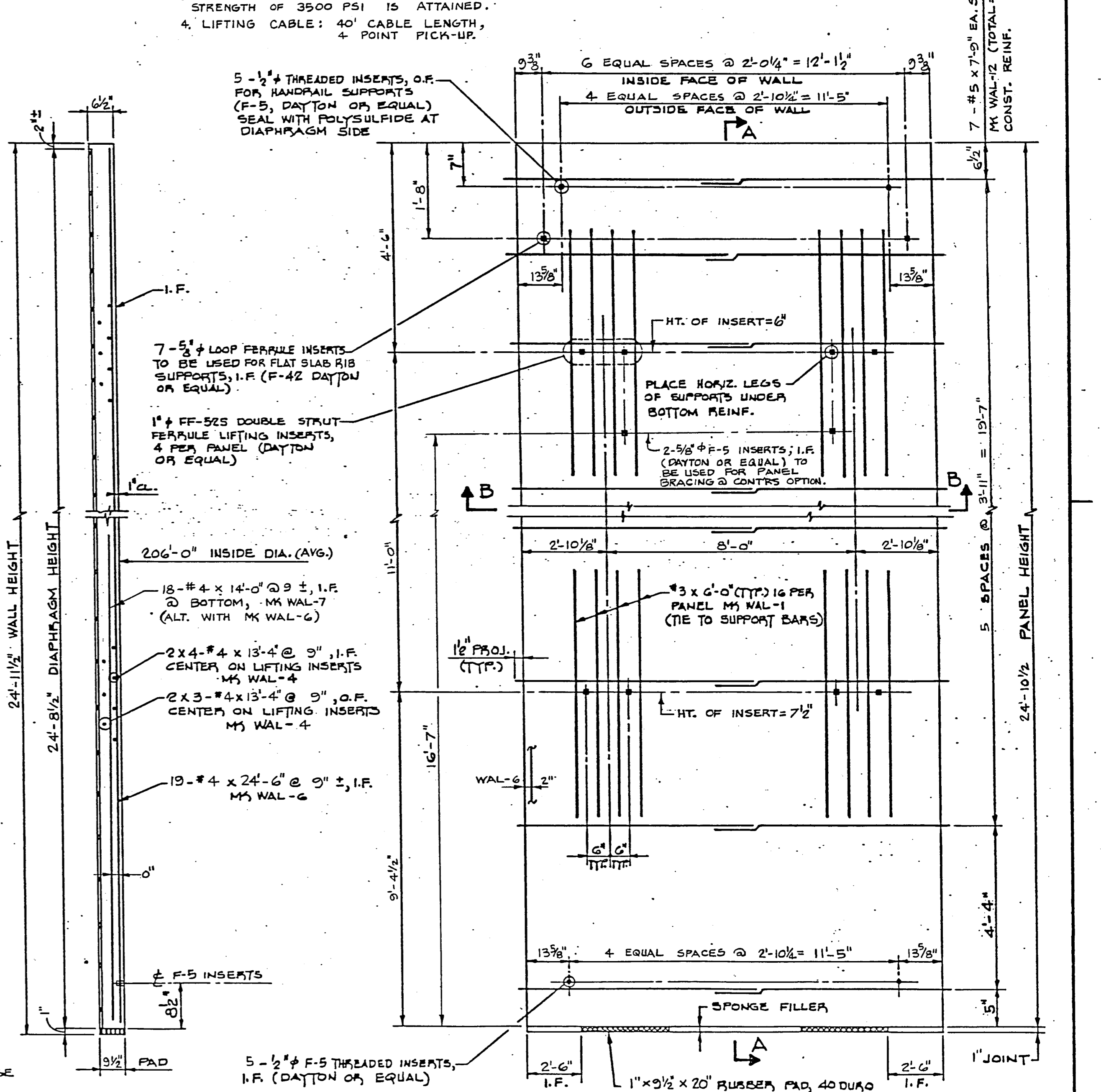
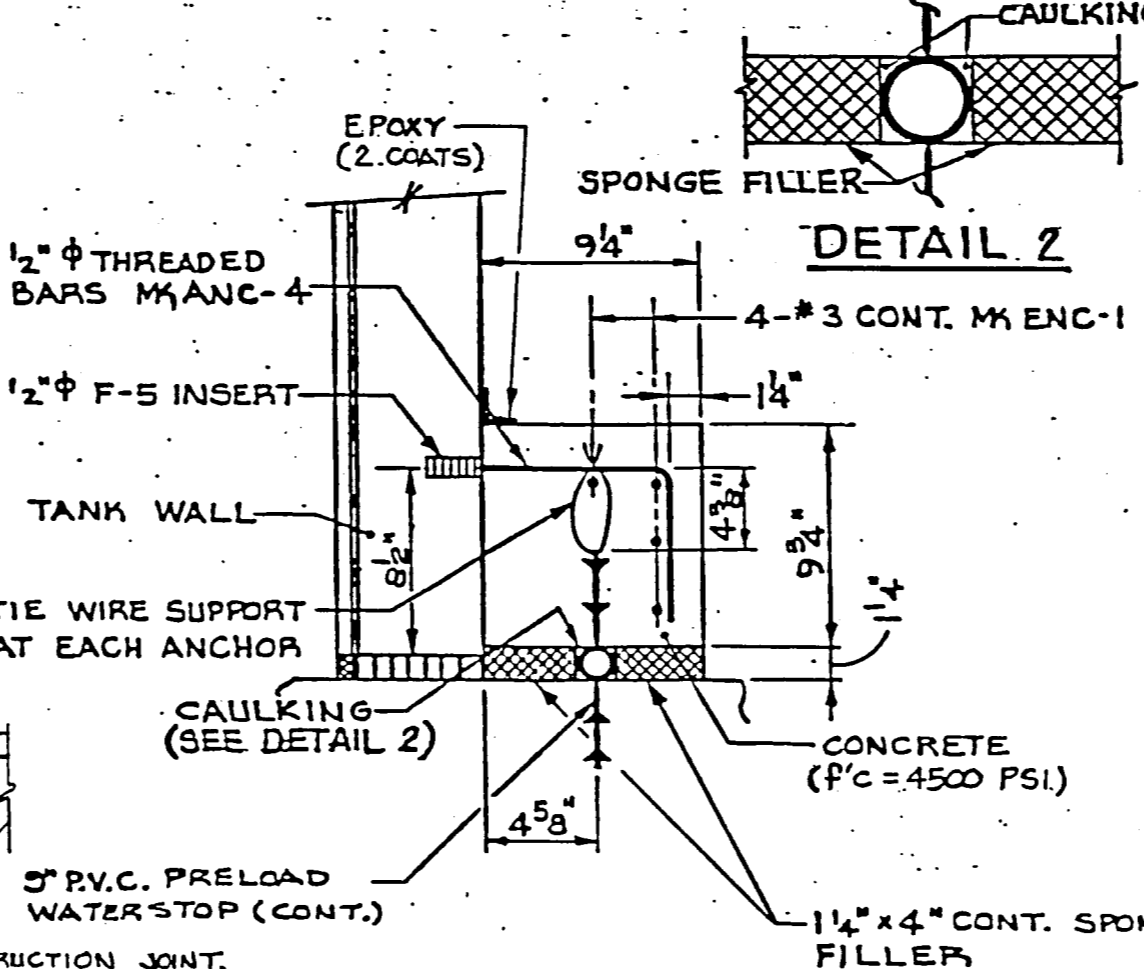
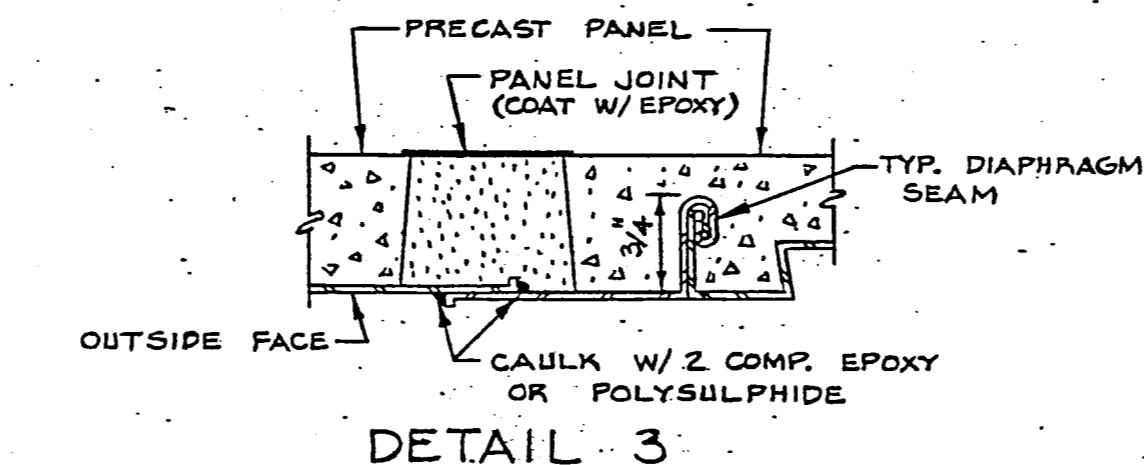
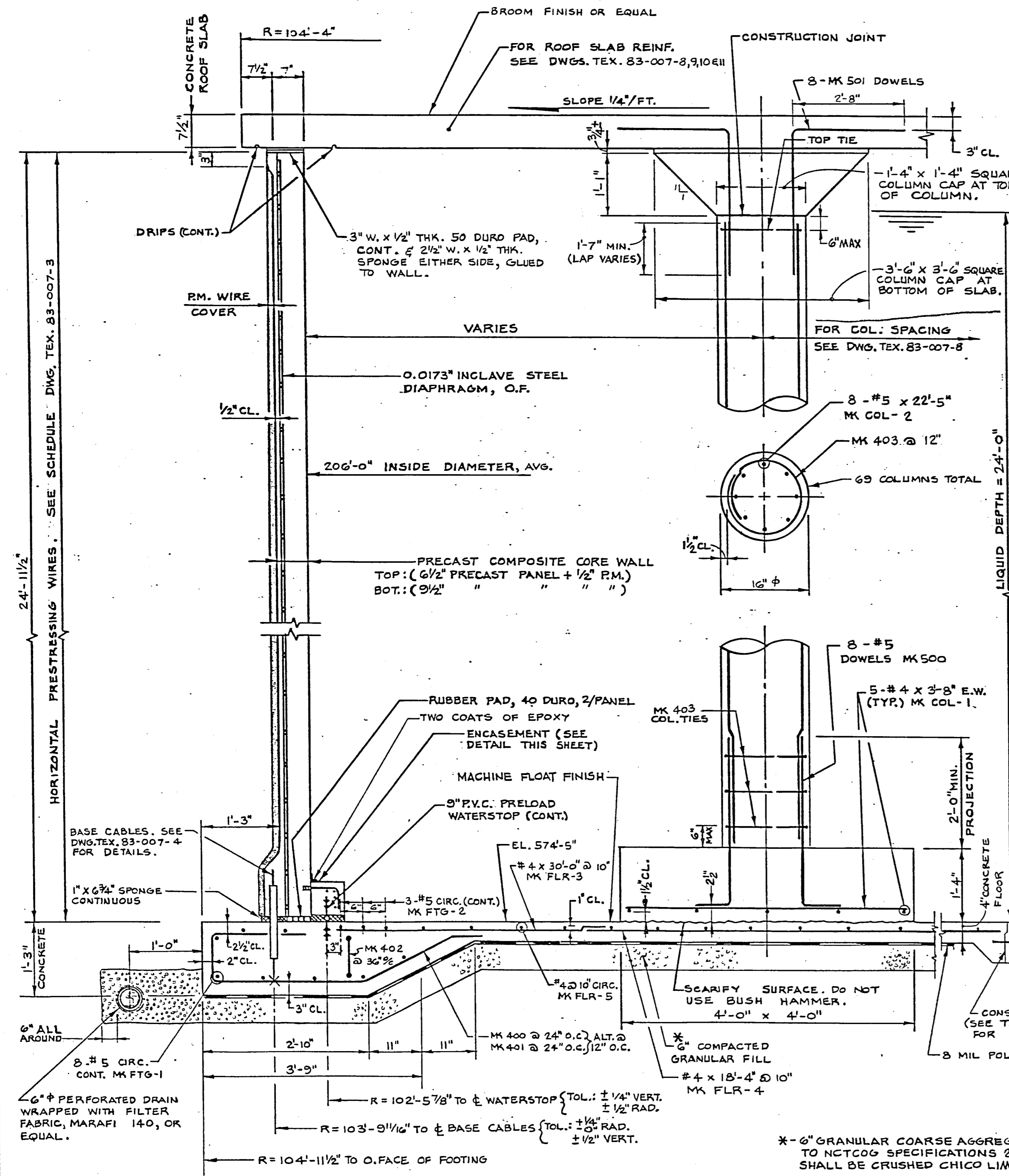
**WALL PANEL NOTES:**

1. PACK ALL INSERT HOLES WITH GROUT AND APPLY TWO COATS OF EPOXY UPON COMPLETION OF THEIR USE.
2. INSIDE FACE OF PANEL TO BE FINE BROOM FINISHED.
3. PANELS NOT TO BE LIFTED UNTIL CONCRETE STRENGTH OF 3500 PSI IS ATTAINED.
4. LIFTING CABLE: 40' CABLE LENGTH, 4 POINT PICK-UP.



**GENERAL NOTES:**

1. P.M. = PNEUMATIC MORTAR (28-DAY COMPRESSIVE STRENGTH = 4500 PSI)
2. MIN. 28-DAY CONCRETE CYLINDER STRENGTHS:  
 FOOTINGS & FLOOR --- 3000 PSI  
 ROOF SLAB & COLUMNS --- 4000 PSI  
 WALL --- 4500 PSI  
 PIPE ENCASUREMENT --- 3000 PSI
3. ROOF LIVE LOAD = 100 R.S.F.
4. REBARS TO BE NEW BILLET STEEL, ASTM A615, GR. 60. MIN. LAP = 30 BAR DIA.
5. WELDED WIRE FABRIC TO CONFORM TO ASTM A185
6. ALL SPONGE RUBBER ON THIS DWG. SHALL CONFORM TO ASTM D1056-RE 41.



THE DETAILS SHOWN ON THIS DRAWING SHALL BE PRODUCED WITHIN THE GUIDELINES AND REQUIREMENTS SPECIFIED IN PRELOAD CONSTRUCTION SPECIFICATIONS & PROCEDURES 303-200-202.

REVISIONS				
NO.	DATE	DESCRIPTION	BY	CKD
1	5/13/66	REV. ROOF HATCH (SECT. C-C), GRANULAR SPEC. & ROOF RIB SUPPORT INSERTS	E	RAO
2	8/22/66	COLUMN CAP	JD	RAO
3	1/13/67	AS BUILT	E	

**PRELOAD**

839 STEWART AVENUE, GARDEN CITY, NEW YORK, 11530

THIS DRAWING IS THE PROPERTY OF THE PRELOAD COMPANY, INC. AND/OR PRELOAD TECHNOLOGY, INC. AND IS SUBJECT TO RETURN ON DEMAND. IT CONTAINS FEATURES OF DESIGN WHICH ARE FULLY COVERED BY PATENTS AND PATENTS PENDING AND COPYRIGHTS. IT IS SUBMITTED FOR USE ONLY IN CONNECTION WITH PROPOSALS OR CONTRACTS OF PRELOAD OR ITS LICENSEE, UPON THE EXPRESS CONDITION THAT IT MAY NOT BE USED ON ANY OTHER DIFFERENT PROJECTS WITHOUT PRIOR APPROVAL OF PRELOAD.

ONE 6.0-M.G. WATER STORAGE TANK			
ADDISON, TEXAS			
TYPICAL TANK SECTION			
DRAWN BY	JD	SCALE	NONE
DESIGNED BY	FD	MTO	
CHECKED BY	RAO	DATE	4-24-86
CONTRACT NUMBER	86 FE 004		
DRAWING NUMBER	83-007-2		