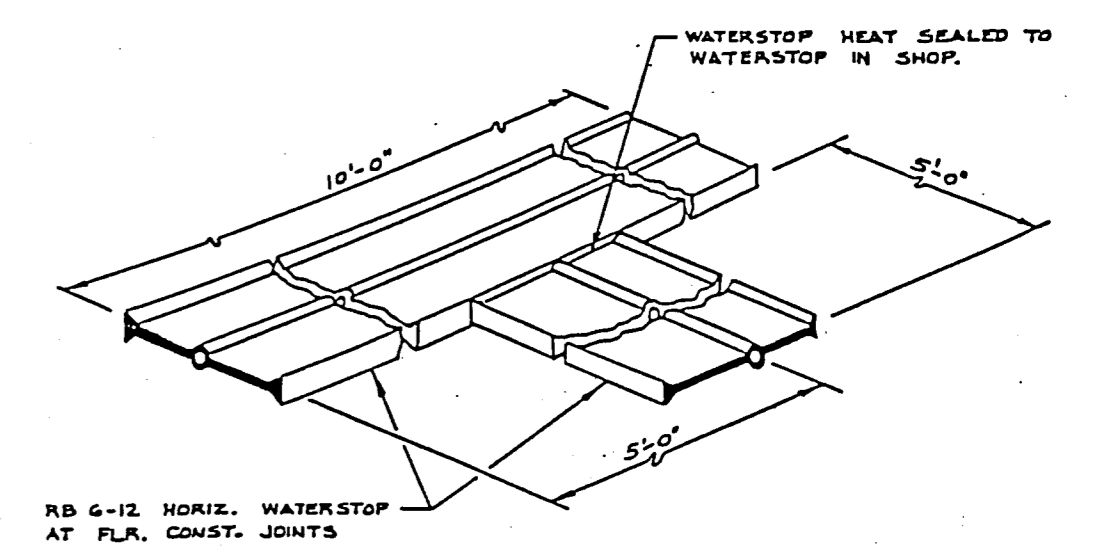
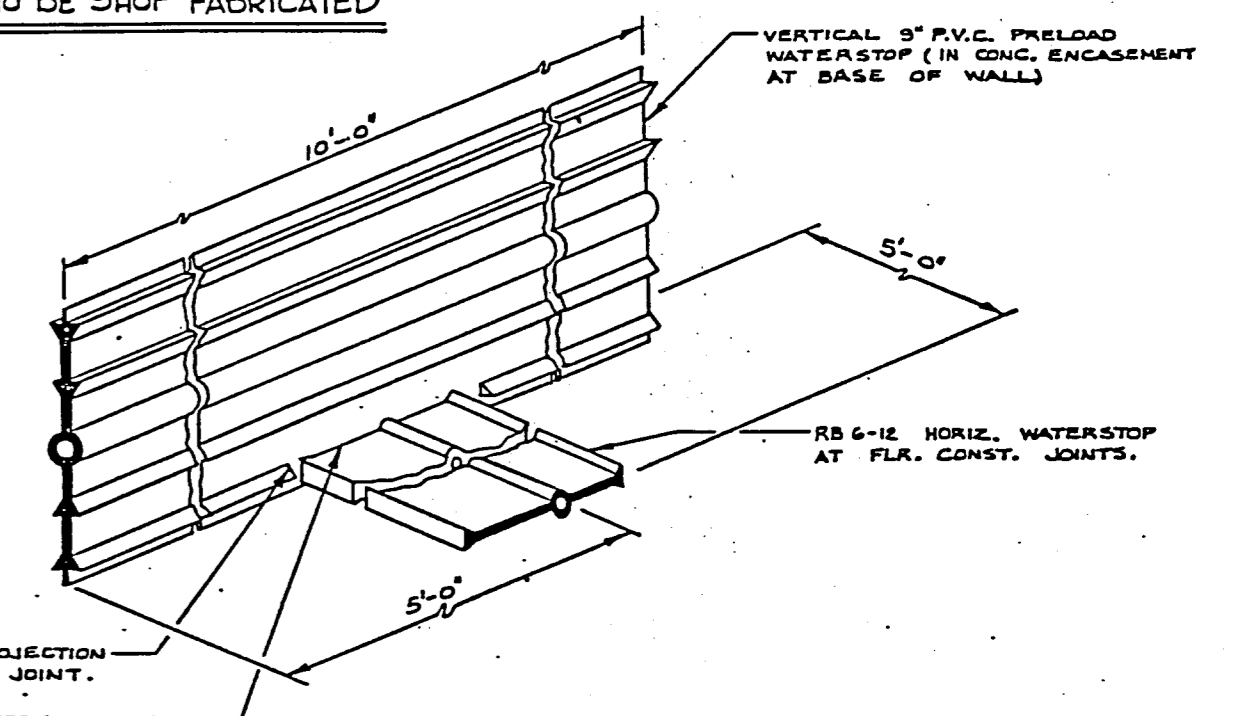


CONCRETE QUANTITIES	
ITEM	CU. YDS.
FLOOR & FOOTING	540.6
PIPE ENCASEMENT	15.9
WALL PANELS	381.8
CURB	15.0
COLUMN FOOTINGS	54.6
COLUMNS	99.8
ROOF SLAB	793.4
TOTAL YARDAGE (NEAT)	1901.1

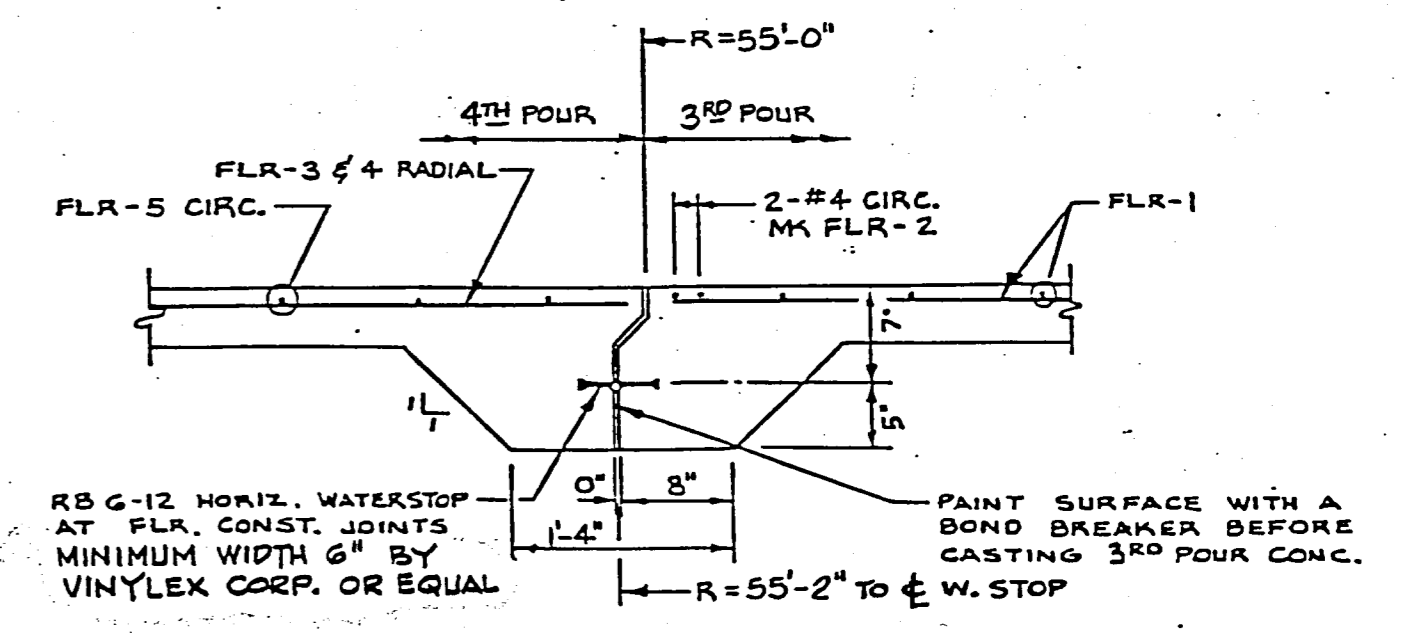


DETAIL I
N.T.S.
TOTAL: 7 REQ'D
(6 JOINTS PLUS 1 ADD'L)

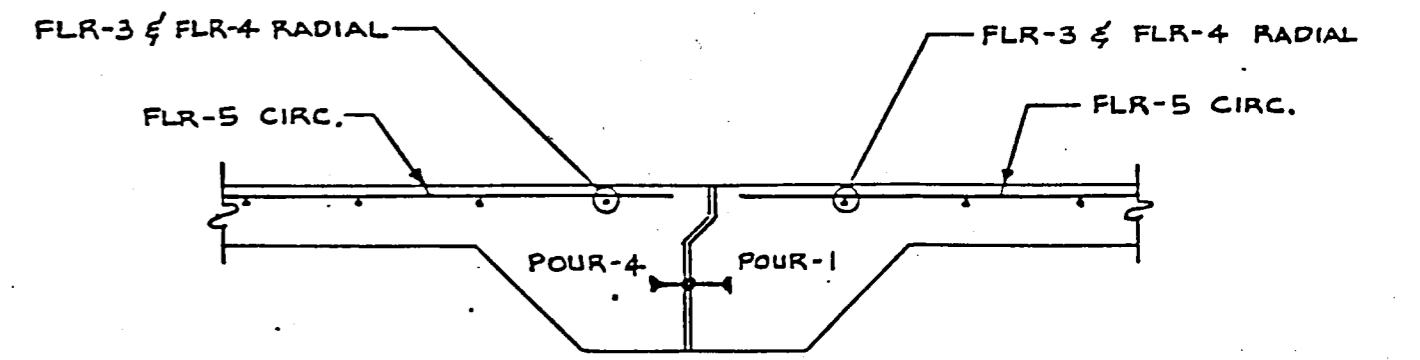
ALL DETAILS I & II TO BE SHOP FABRICATED



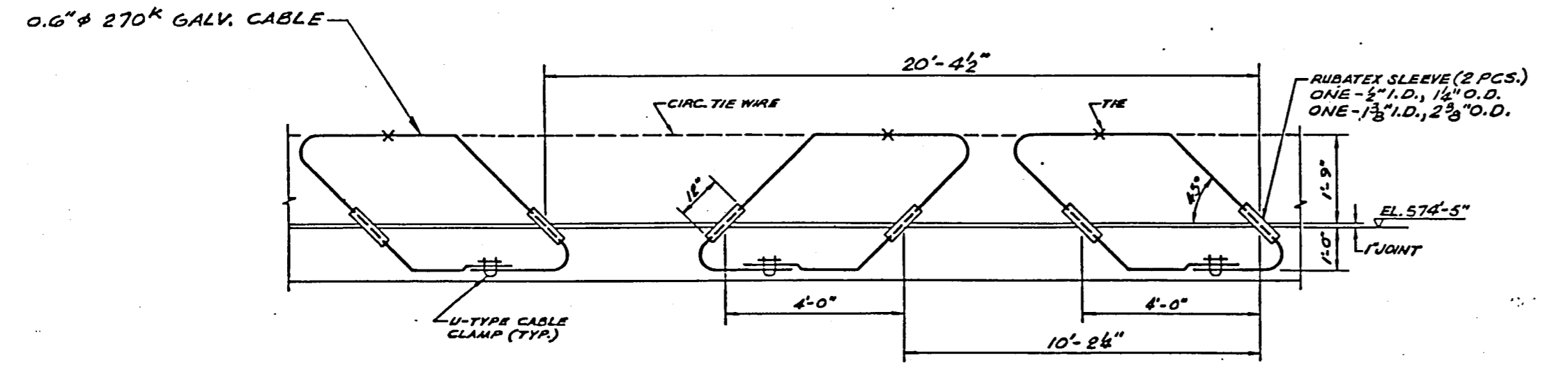
DETAIL II
N.T.S.
TOTAL: 7 REQ'D
(6 JOINTS PLUS 1 ADD'L)



SECTION A-A
(N.T.S.)



SECTION B-B (N.T.S.)
(SIMILAR TO SECT. A-A EXCEPT AS NOTED.)



BASE CABLE DETAILS
(64 REQUIRED)

THE DETAILS SHOWN ON THIS DRAWING SHALL BE PRODUCED WITHIN THE GUIDELINES AND REQUIREMENTS SPECIFIED IN PRELOAD CONSTRUCTION SPECIFICATIONS & PROCEDURES NO. PCS-207.

REVISIONS				
NO.	DATE	DESCRIPTION	BY	CHKD
Δ	5/13/86	REV. FLOOR REINF. & HORIZ. WATERSTOP (SECT. A-A)	E	RAO
A	4/13/87	AS BUILT	E	



839 STEWART AVENUE, GARDEN CITY, NEW YORK, 11530
THIS DRAWING IS THE PROPERTY OF THE PRELOAD COMPANY, INC. AND/OR PRELOAD TECHNOLOGY, INC. AND IS SUBJECT TO RETURN ON DEMAND. IT CONTAINS FEATURES OF DESIGN WHICH ARE FULLY COVERED BY PATENTS AND PATENTS PENDING AND COPYRIGHTS. IT IS SUBMITTED FOR USE ONLY IN CONNECTION WITH PROPOSALS OR CONTRACTS OF PRELOAD OR ITS LICENSEES, UPON THE EXPRESS CONDITION THAT IT MAY NOT BE USED ON ANY OTHER DIFFERENT PROJECTS WITHOUT PRIOR APPROVAL OF PRELOAD.

WORKING DRAWING
ONE 6.0 M.G. WATER STORAGE TANK
ADDISON, TEXAS

FLOOR DETAILS

DRAWN: PV	SCALE: N.T.S.	CONTRACT NUMBER: 86 PE 004
DESIGNED: FD	APPROVED:	DRAWING NUMBER: TEX
CHECKED: RAO	DATE: 4-24-86	DRAWING NUMBER: 83-007-4