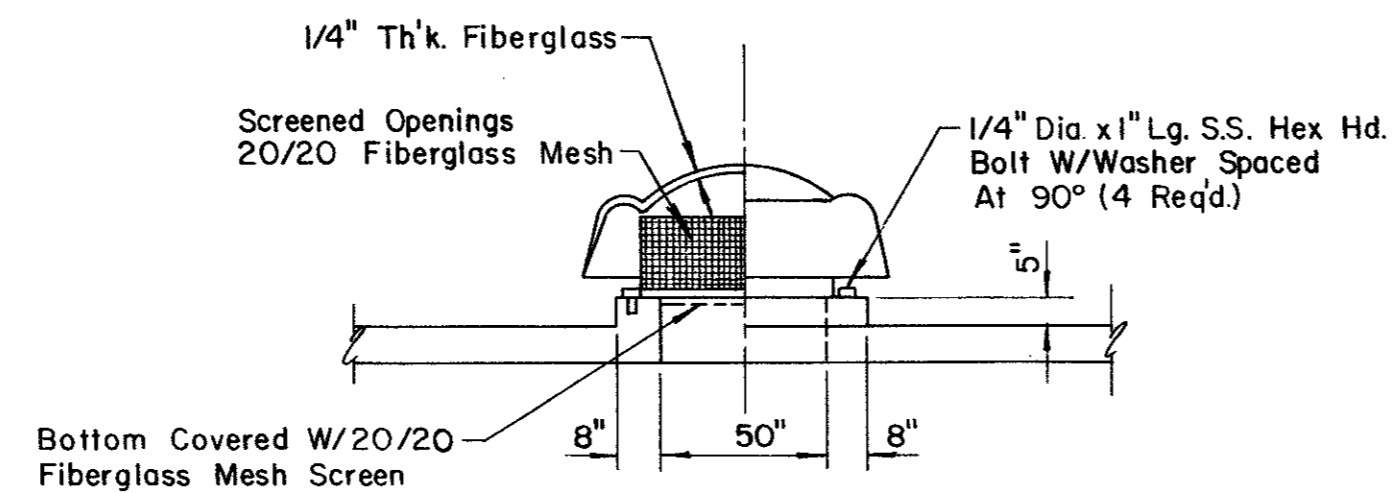
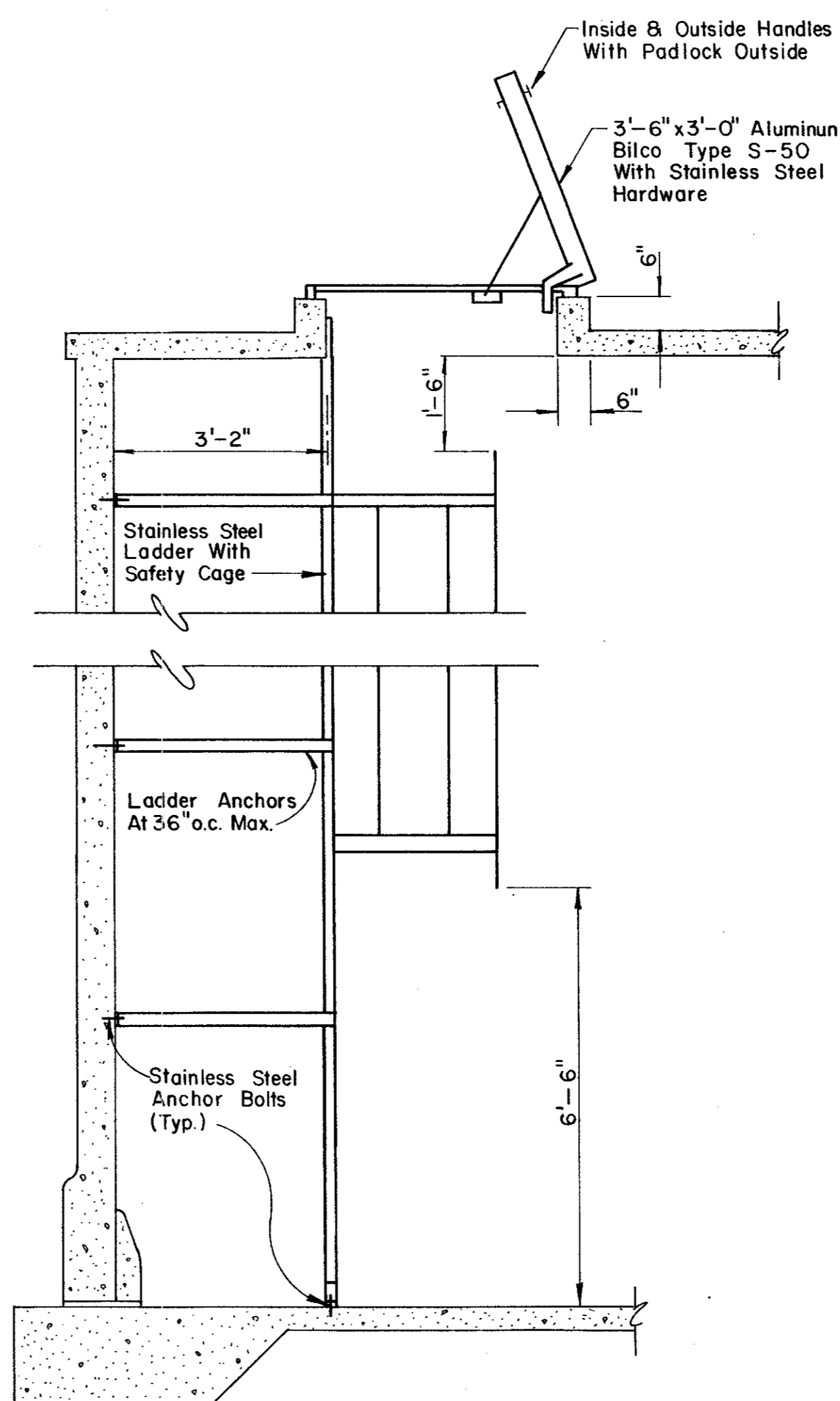


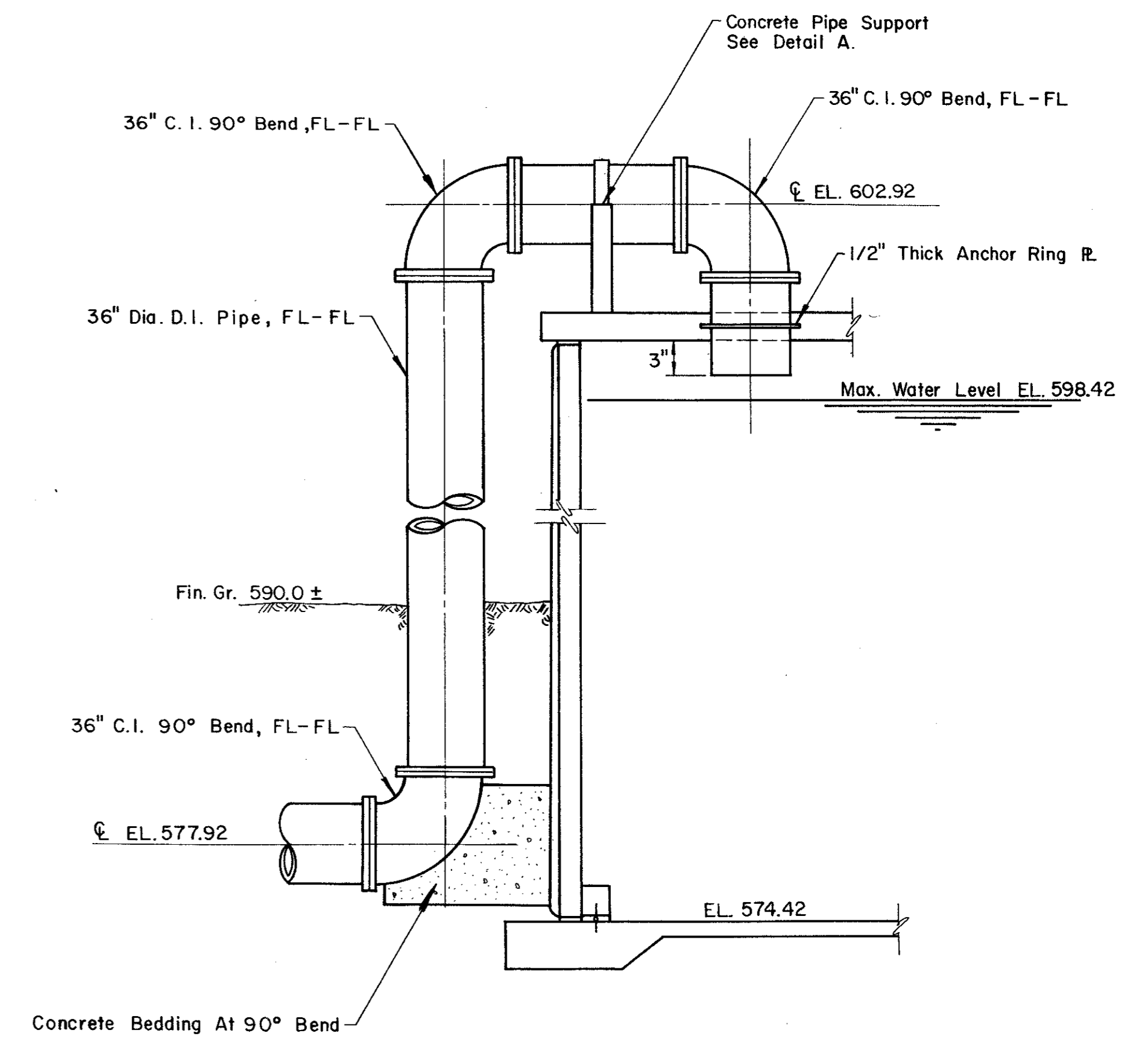
**ROOF VENT
ALTERNATIVE I**



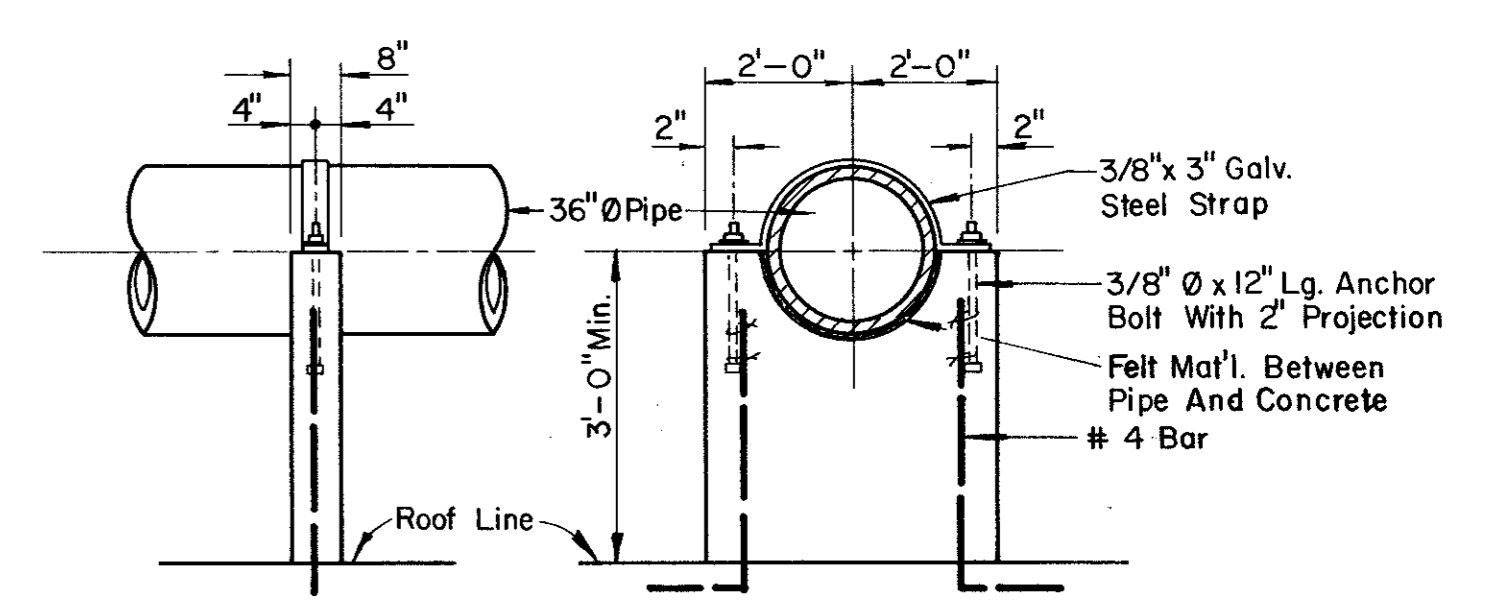
**ROOF VENT
ALTERNATIVE II**



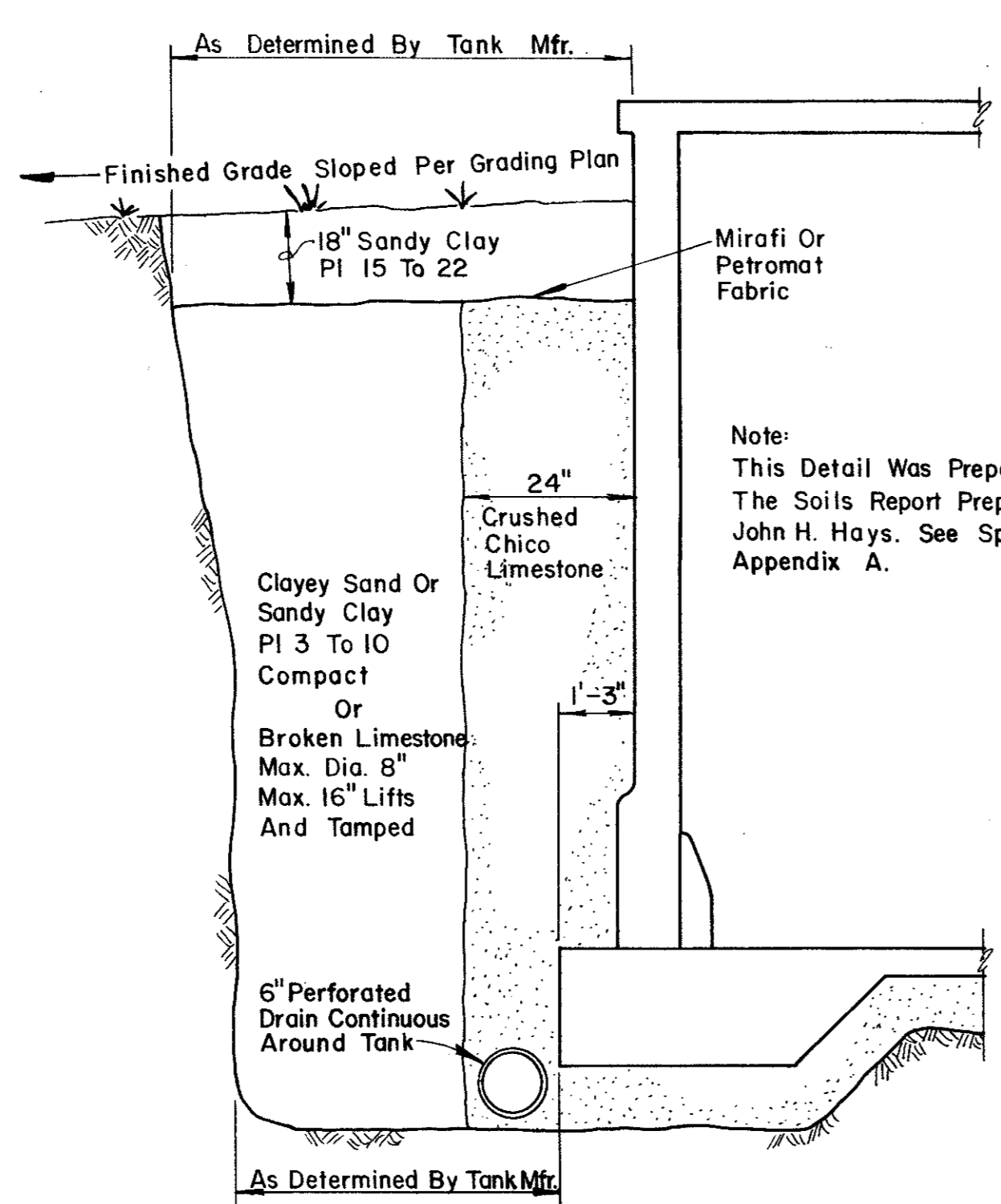
**ACCESS LADDER
AND HATCH DETAIL**



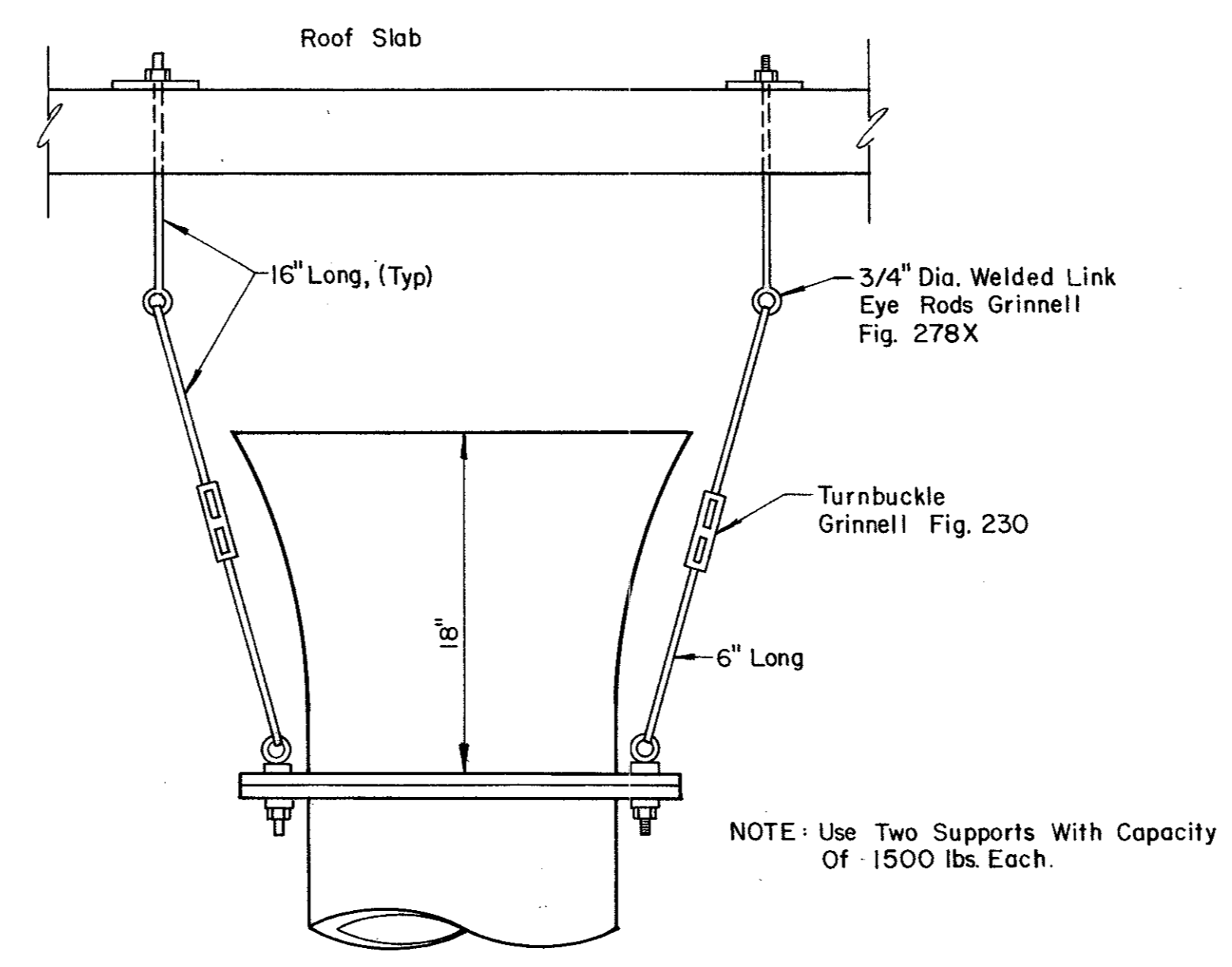
INLET PIPE



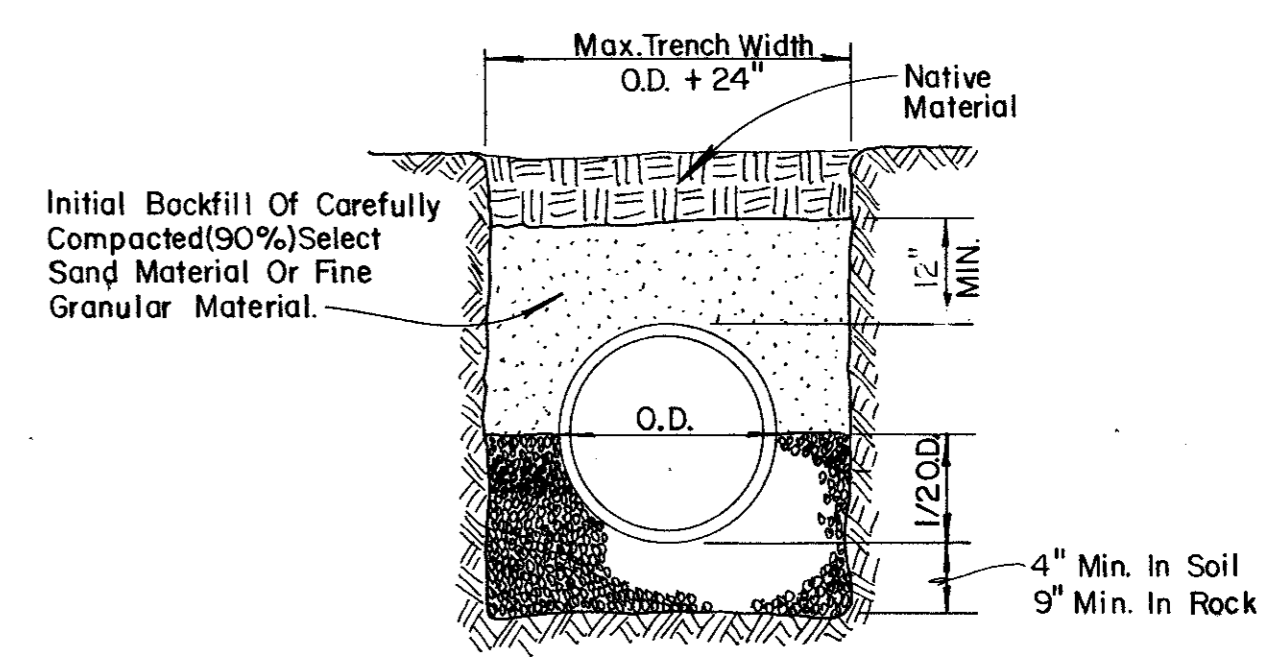
DETAIL A



TANK BACKFILL DETAIL



PIPE SUPPORT



**EMBEDMENT DETAIL
FOR WATERLINES**



No.	Revision	By	Date
TOWN OF ADDISON DALLAS COUNTY, TEXAS			
6 MG CELESTIAL ROAD STORAGE TANK			
MISCELLANEOUS TANK DETAILS			
GINN, INC. Consulting Engineers Dallas, Texas			
Designed - RCH	Drawn - ALA	Date - FEB. 1986	Job No. - 215
Approved - HWG	Checked - GF	Scale - NOT TO SCALE	Sheet 5 of 8