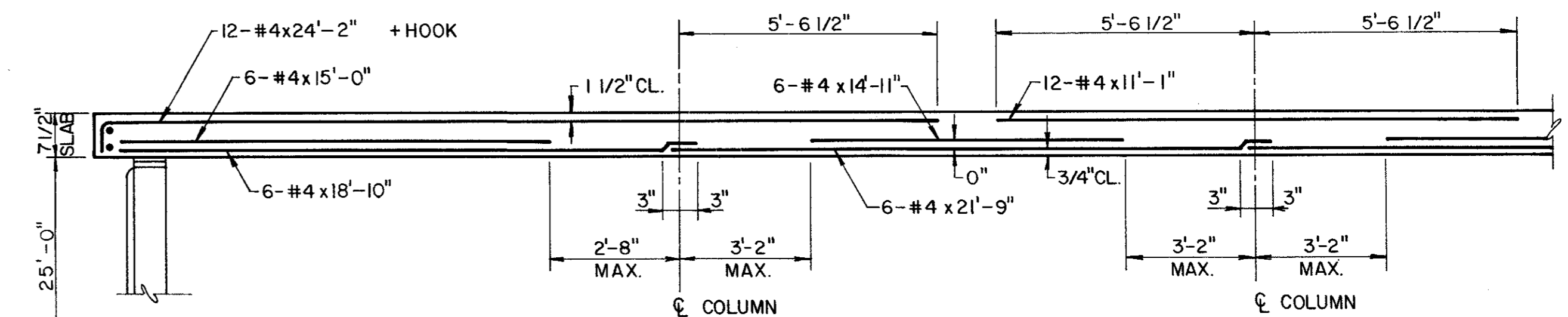
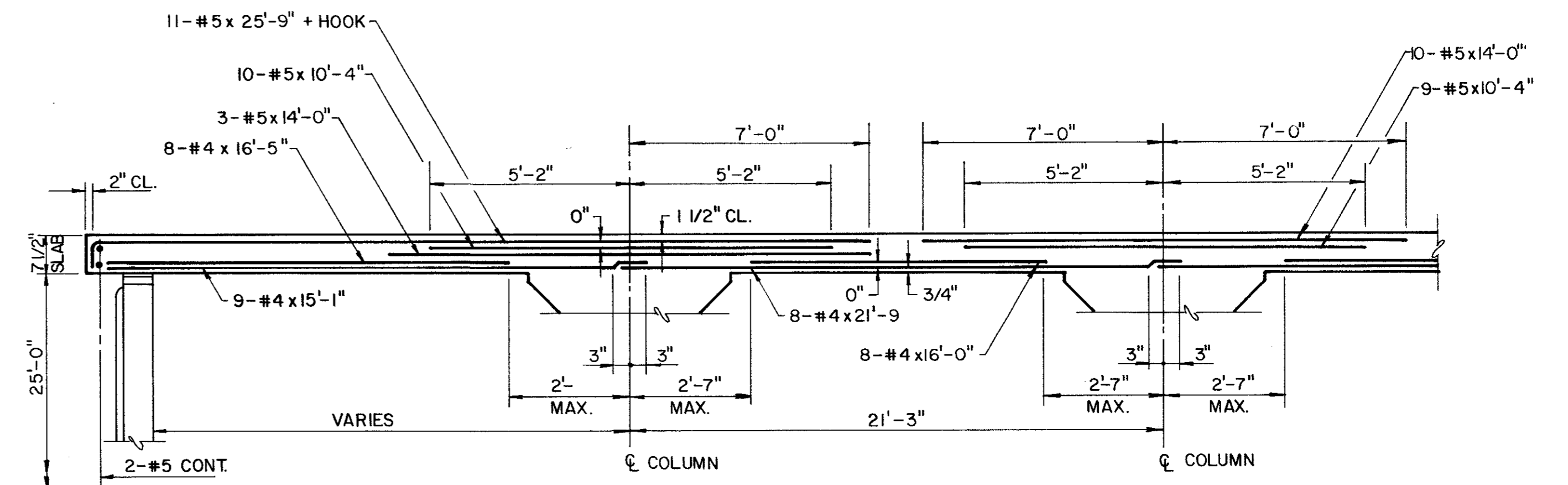
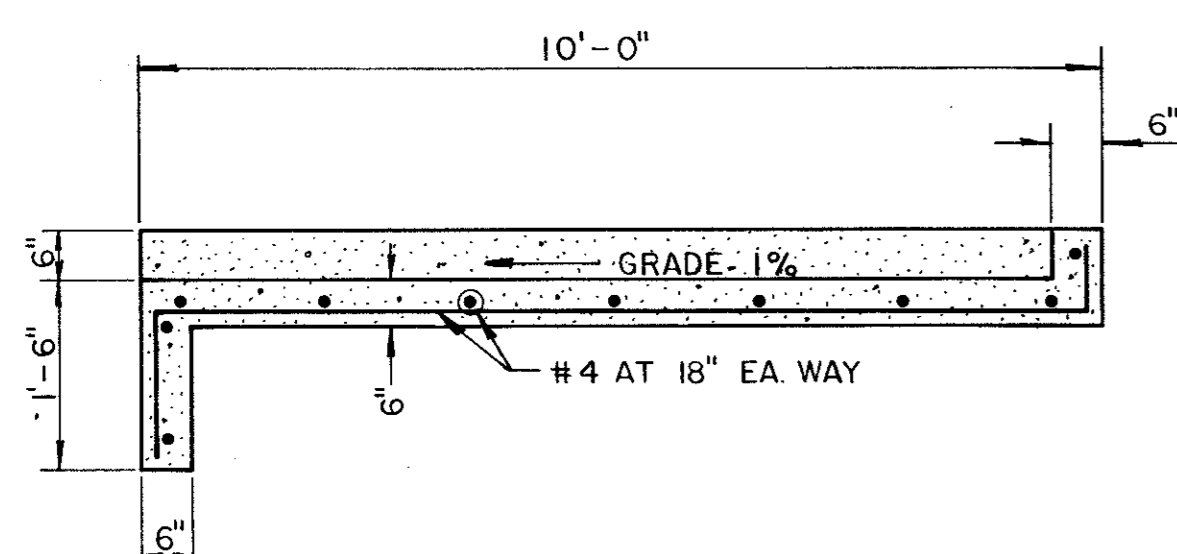
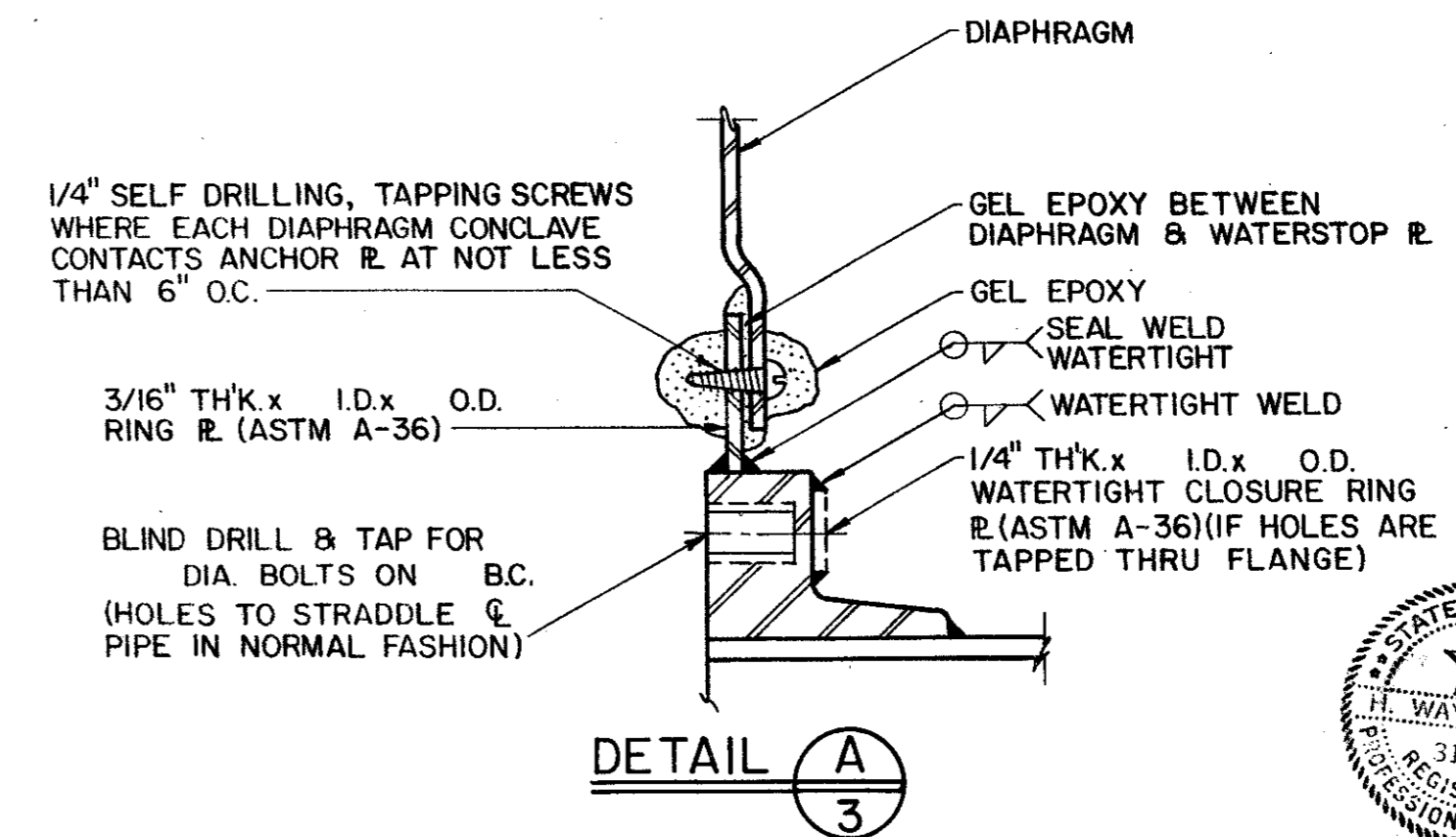
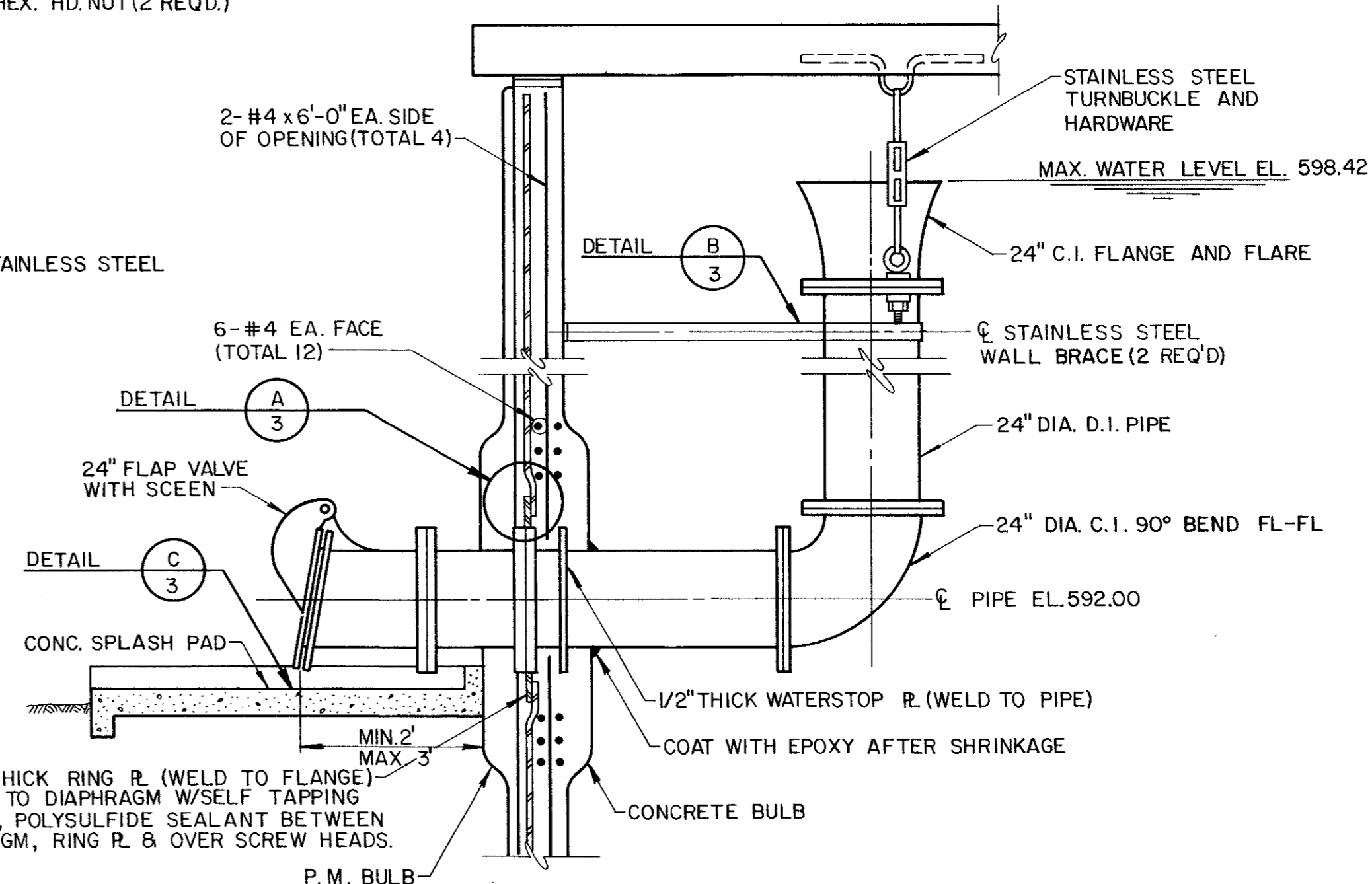
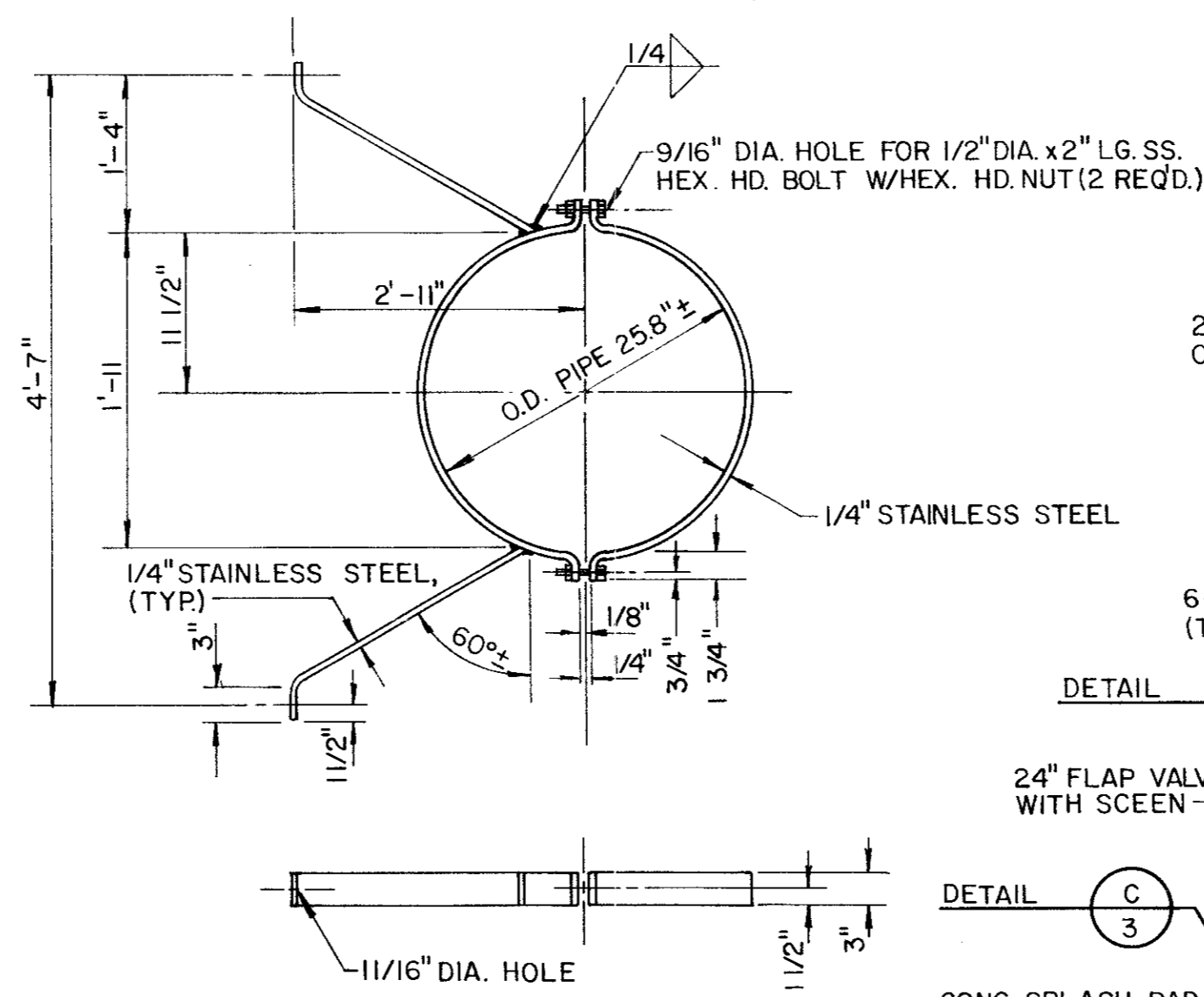


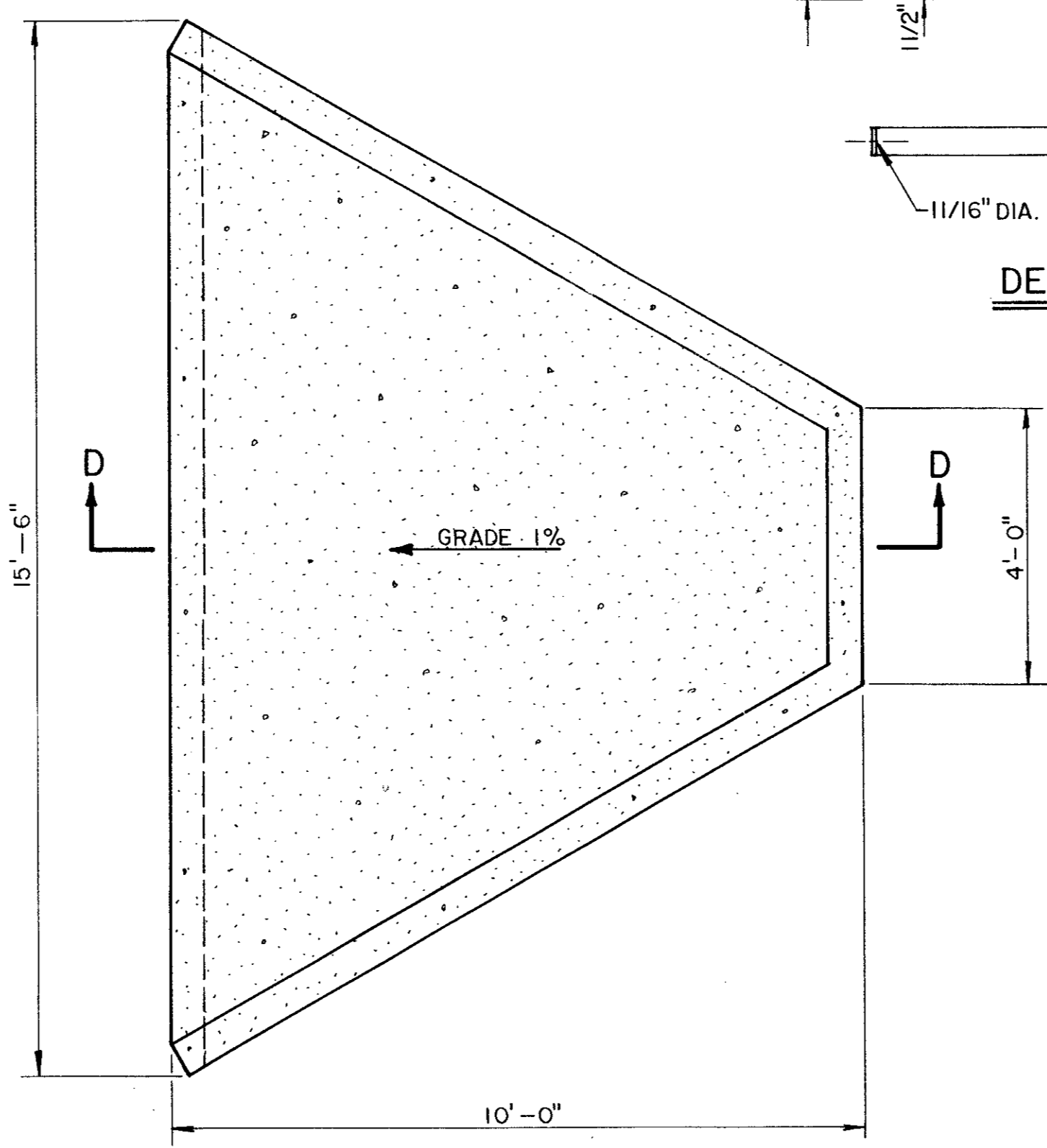
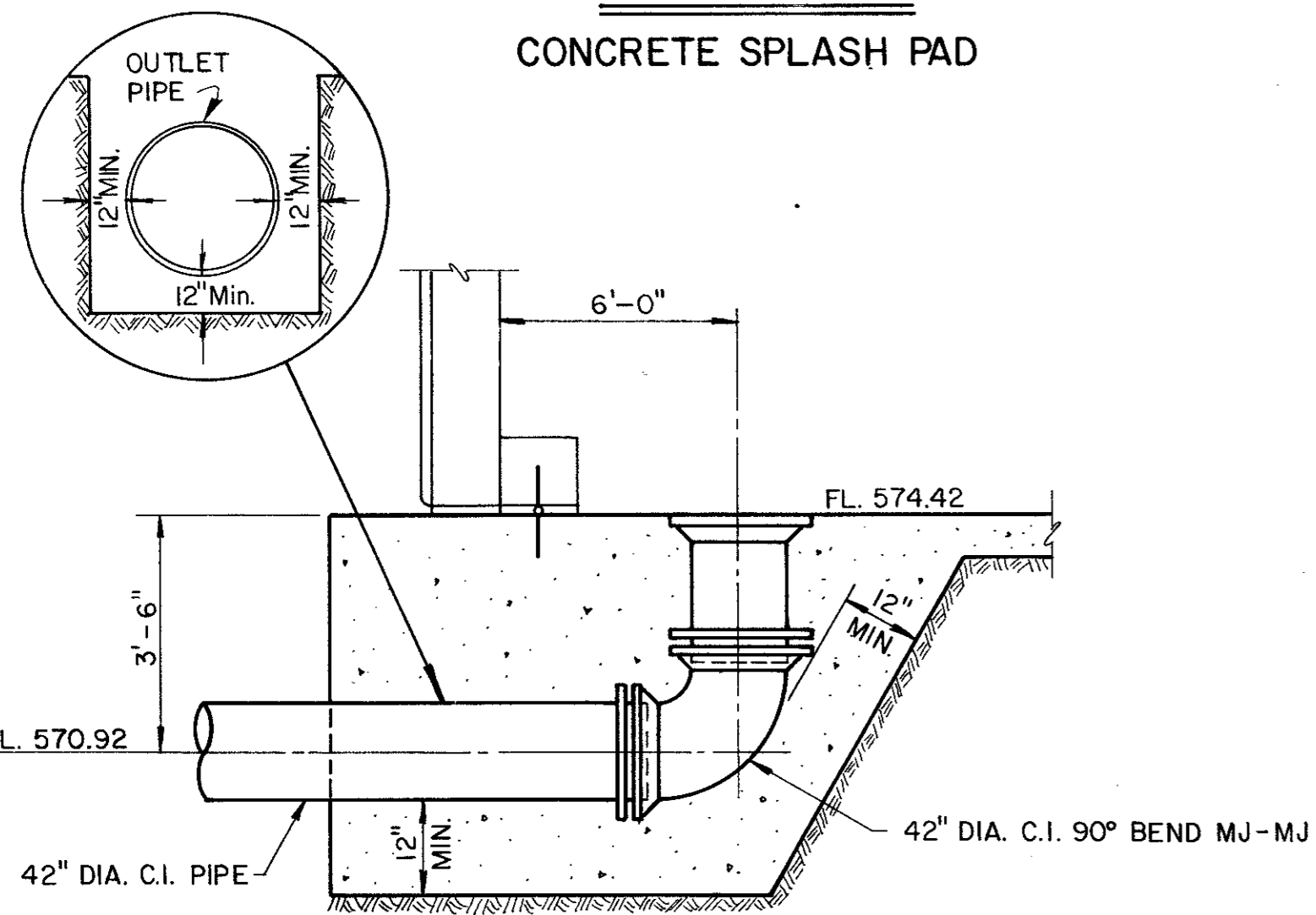
★ **PANEL ELEVATION**  
★ (60 REQ'D.)



★ **REINFORCEMENT THRU MIDDLE STRIP**  
REINFORCEMENT SHOWN IN ONE DIRECTION ONLY FOR CLARITY



CONCRETE SPLASH PAD



No.	Revision	By	Date
TOWN OF ADDISON DALLAS COUNTY, TEXAS			
<b>6 MG CELESTIAL ROAD STORAGE TANK</b>			
<b>MISCELLANEOUS TANK DETAILS</b>			
GINN, INC. Consulting Engineers Dallas, Texas			
Designed - RCH	Drawn - ALA	Date - FEB. 1986	Job No. - 215
Approved - HWG	Checked - GF	Scale - NOT TO SCALE	Sheet 3 of 8

