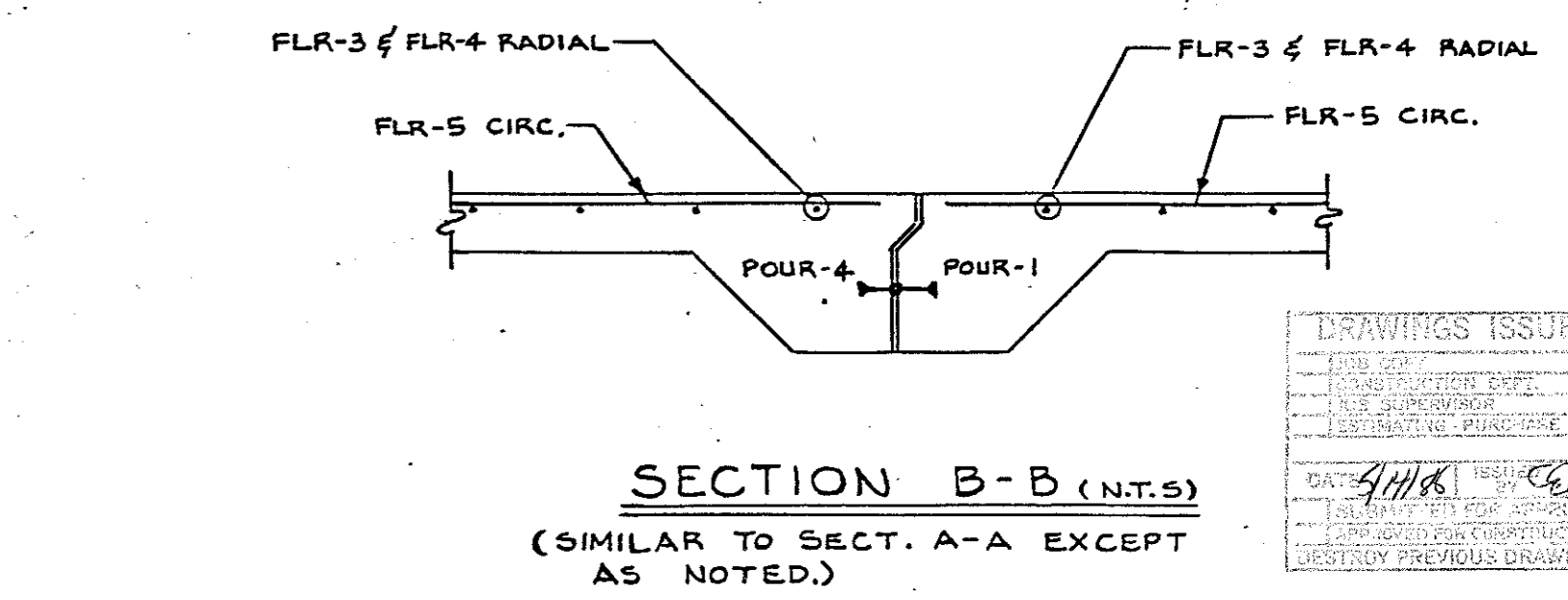
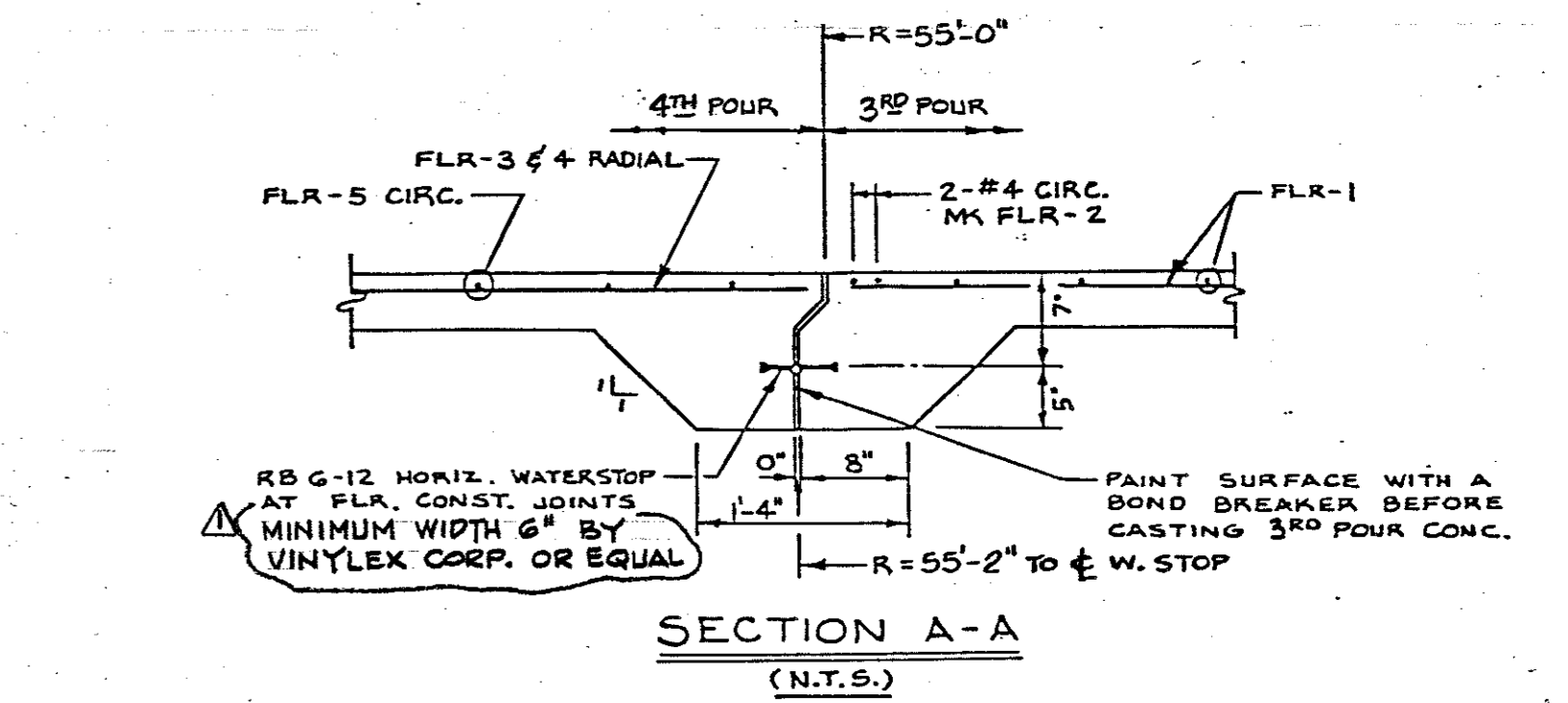
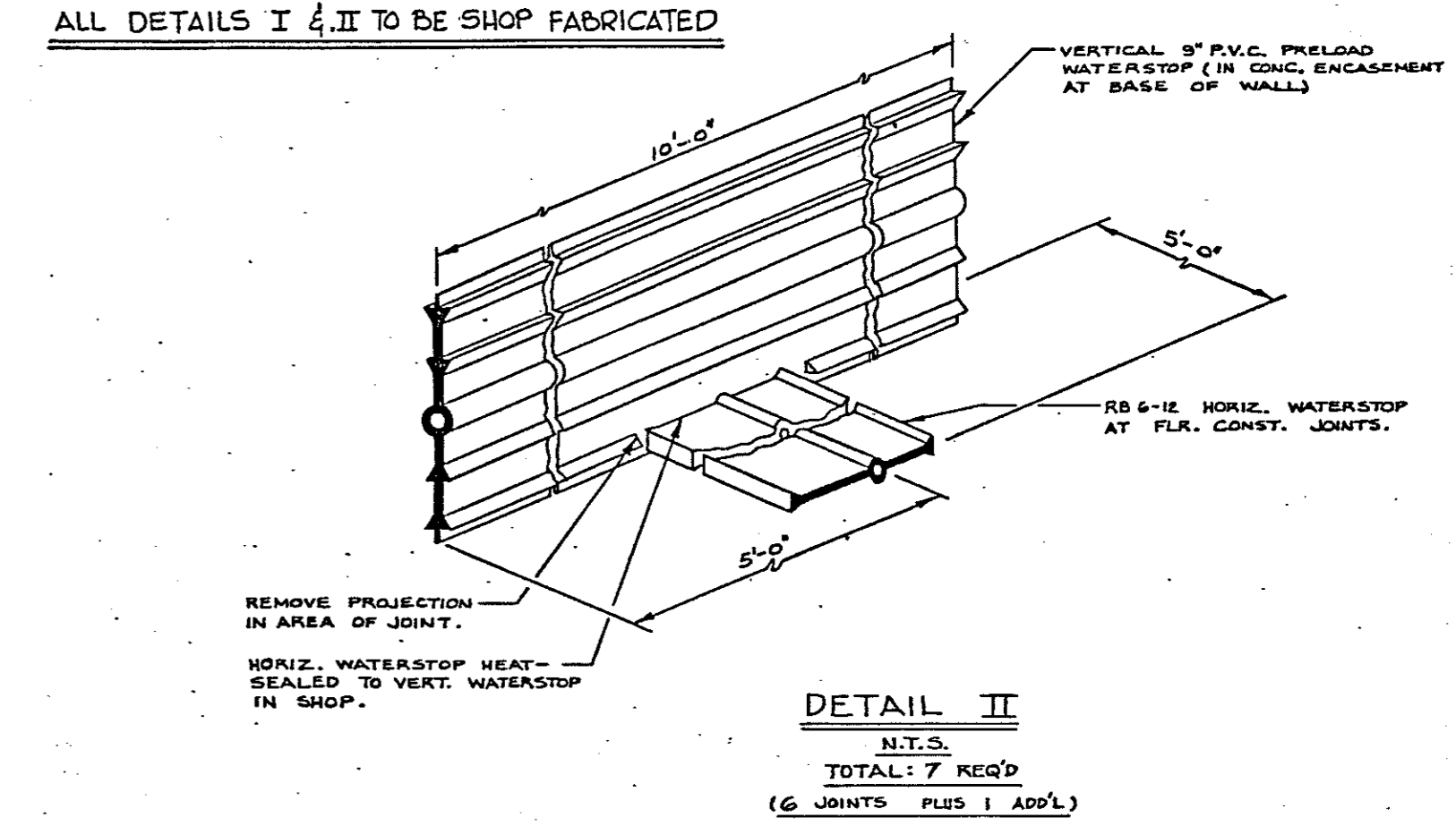
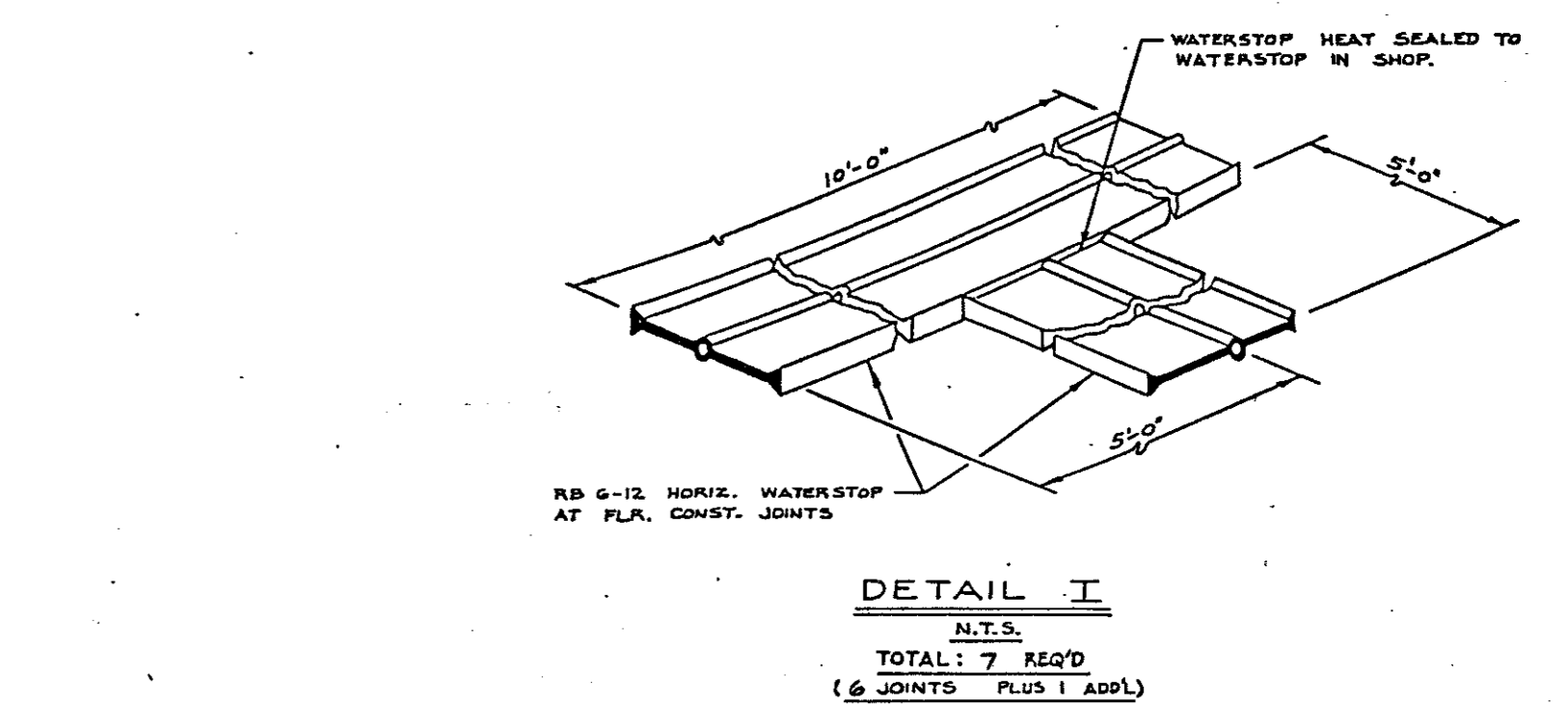
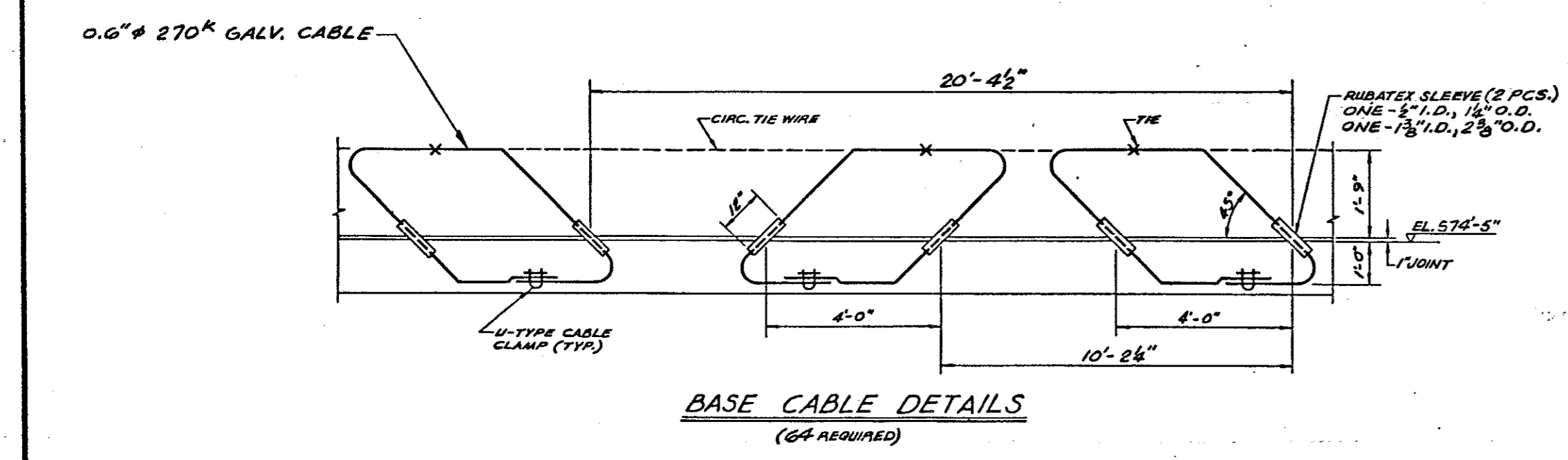


CONCRETE QUANTITIES	
ITEM	CU. YDS.
FLOOR & FOOTING	540.6
PIPE ENCASEMENT	15.9
WALL PANELS	381.8
CURB	15.0
COLUMN FOOTINGS	54.6
COLUMNS	99.8
ROOF SLAB	793.4
TOTAL YARDAGE (NEAT)	1901.1



FLOOR JOINT LAYOUT
SCALE: 1"=20'



THE DETAILS SHOWN ON THIS DRAWING SHALL BE PRODUCED WITHIN THE GUIDELINES AND REQUIREMENTS SPECIFIED IN PRELOAD CO. CONSTRUCTION SPECIFICATIONS & PROCEDURES - NO. CS-283.

REVISIONS				
NO.	DATE	DESCRIPTION	BY	CHKD
1	5/13/86	REV. FLOOR REINF. & HORIZ. WATERSTOP (SECT. A-A)	E	RAO

PRELOAD

839 STEWART AVENUE, GARDEN CITY, NEW YORK, 11530

THIS DRAWING IS THE PROPERTY OF THE PRELOAD COMPANY, INC. AND/OR PRELOAD TECHNOLOGY, INC. AND IS SUBJECT TO RETURN ON DEMAND. IT CONTAINS FEATURES OF DESIGN WHICH ARE FULLY COVERED BY PATENTS AND PATENTS PENDING AND COPYRIGHTS. IT IS SUBMITTED FOR USE ONLY IN CONNECTION WITH PROPOSALS OR CONTRACTS OF PRELOAD OR ITS LICENSEES, UPON THE EXPRESS CONDITION THAT IT MAY NOT BE USED ON ANY OTHER DIFFERENT PROJECTS WITHOUT PRIOR APPROVAL OF PRELOAD.

WORKING DRAWING
ONE 6.0 M.G. WATER STORAGE TANK
ADDISON, TEXAS

FLOOR DETAILS

DRAWN: PV	SCALE: N.T.S.	CONTRACT NUMBER: 86 PE 004
DESIGNED: FD	APPROVED:	DRAWING NUMBER: 83-007-4
CHECKED: RAO	DATE: 4-24-86	TEXT

DRAWINGS ISSUED

NO.	DATE	DESCRIPTION
1	5/13/86	REV. FLOOR REINF. & HORIZ. WATERSTOP (SECT. A-A)