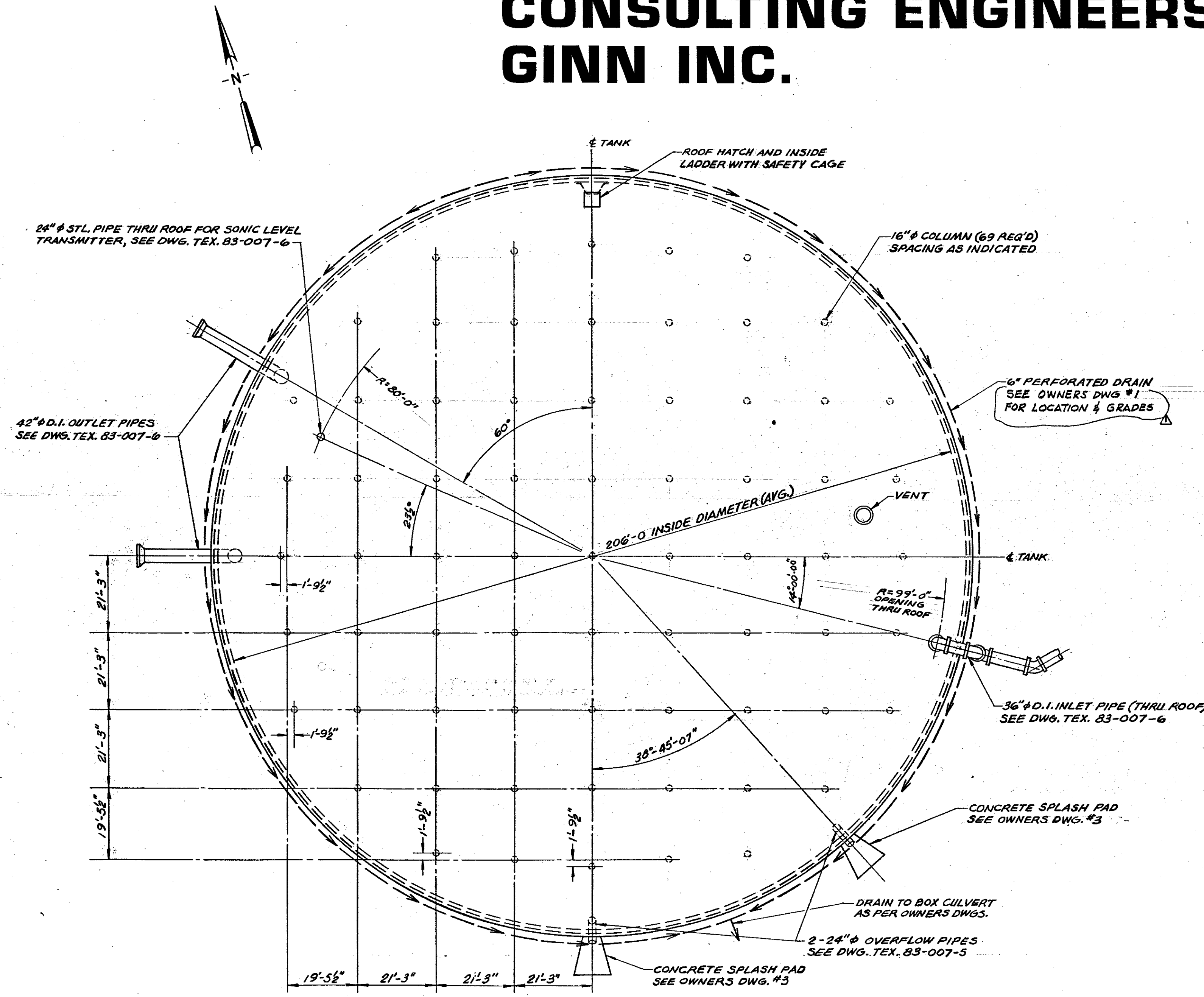


ONE 6.0 MILLION GALLON WATER STORAGE TANK CONTRACT NO. 86 PE 004 WITH TOWN OF ADDISON, COUNTY OF DALLAS, TEXAS CONSULTING ENGINEERS: GINN INC.

PRELOAD WORKING DRAWINGS

- TEXAS 83-007-1 GENERAL ARRANGEMENT
- TEXAS 83-007-2 TYPICAL TANK SECTION
- TEXAS 83-007-3 TEMPORARY MANHOLE PANEL AND WIREWINDING SCHEDULE
- TEXAS 83-007-4 FLOOR DETAILS
- TEXAS 83-007-5 OVERFLOW AND WEIR BOX DETAILS
- TEXAS 83-007-6 INLET AND OUTLET PIPE DETAILS
- TEXAS 83-007-7 LADDER DETAILS AND PANEL LAYOUT
- TEXAS 83-007-8 ROOF SLAB REINFORCING: LAYER NO. 1
- TEXAS 83-007-9 ROOF SLAB REINFORCING: LAYER NO. 2
- TEXAS 83-007-10 ROOF SLAB REINFORCING: LAYER NO. 3
- TEXAS 83-007-11 ROOF SLAB REINFORCING: LAYER NO. 4
- TEXAS 83-007-12 ROOF SECTIONS
- TEXAS 83-007-13 ODD AND OVERFLOW PANELS
- TEXAS 83-007-14 EXCAVATION DETAILS
- TEXAS 83-007-15 REBAR SCHEDULE



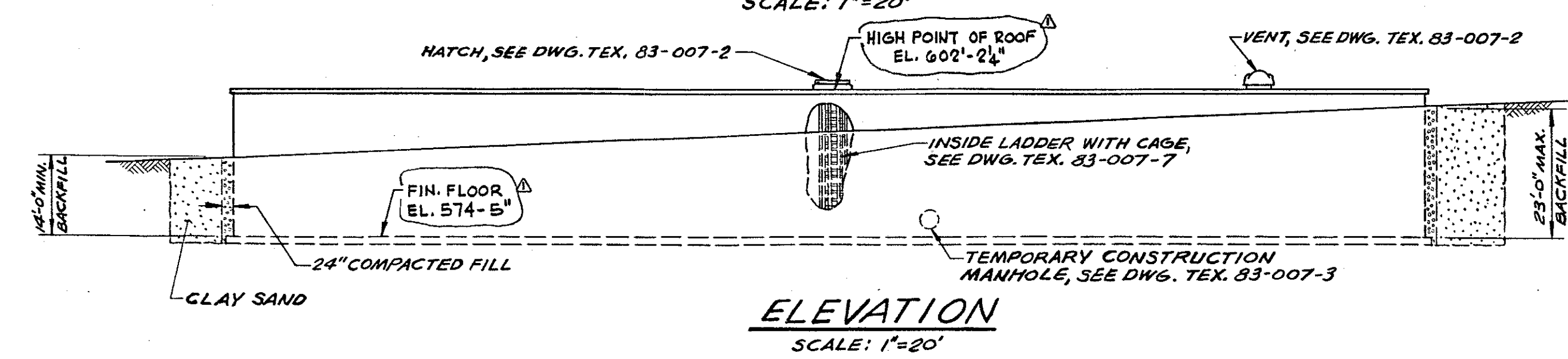
INSPECTION	HOLD	APPROVED	REVIEWED BY
BUILDING			
PLUMBING			
ELECTRICAL			
MECHANICAL			
CIVIL			
HEALTH			

DEPARTMENTAL	HOLD	APPROVED	REVIEWED BY
FIRE			
ENGINEERING			
UTILITIES			
STREETS			
LANDSCAPE			

VERNON SAYS REVISIONS NOT NEEDED TO REVIEW BEFORE TANK - PHONE 5-17-86

DRAWINGS ISSUED

DATE: 5/13/86
 BY: RAO
 CHECKED: RAO



THE DETAILS SHOWN ON THIS DRAWING SHALL BE PRODUCED WITHIN THE GUIDELINES AND REQUIREMENTS SPECIFIED IN PRELOAD CO. "CONSTRUCTION SPECIFICATIONS & PROCEDURES" NO. 105-283.

REVISIONS				
NO.	DATE	DESCRIPTION	BY	CKD
1	5/13/86	REV. PERF. DRAIN; ADDED ELEV.'S ON TANK ELEV.	E	RAO



839 STEWART AVENUE, GARDEN CITY, NEW YORK, 11530

THIS DRAWING IS THE PROPERTY OF THE PRELOAD COMPANY, INC. AND/OR PRELOAD TECHNOLOGY, INC. AND IS SUBJECT TO RETURN ON DEMAND. IT CONTAINS FEATURES OF DESIGN WHICH ARE FULLY COVERED BY PATENTS AND PATENTS PENDING AND COPYRIGHTS. IT IS SUBMITTED FOR USE ONLY IN CONNECTION WITH PROPOSALS OR CONTRACTS OF PRELOAD OR ITS LICENSEES UPON THE EXPRESS CONDITION THAT IT MAY NOT BE USED ON ANY OTHER DIFFERENT PROJECTS WITHOUT PRIOR APPROVAL OF PRELOAD.

WORKING DRAWING
 ONE 6.0 M.G. WATER STORAGE TANK
 ADDISON, TEXAS

GENERAL ARRANGEMENT

DRAWN: PV
 DESIGNED: FD
 CHECKED: RAO

SCALE: AS NOTED
 APPROVED:
 DATE: 4-24-86

CONTRACT NUMBER: 86 PE 004
 DRAWING NUMBER: TEX 83-007-1