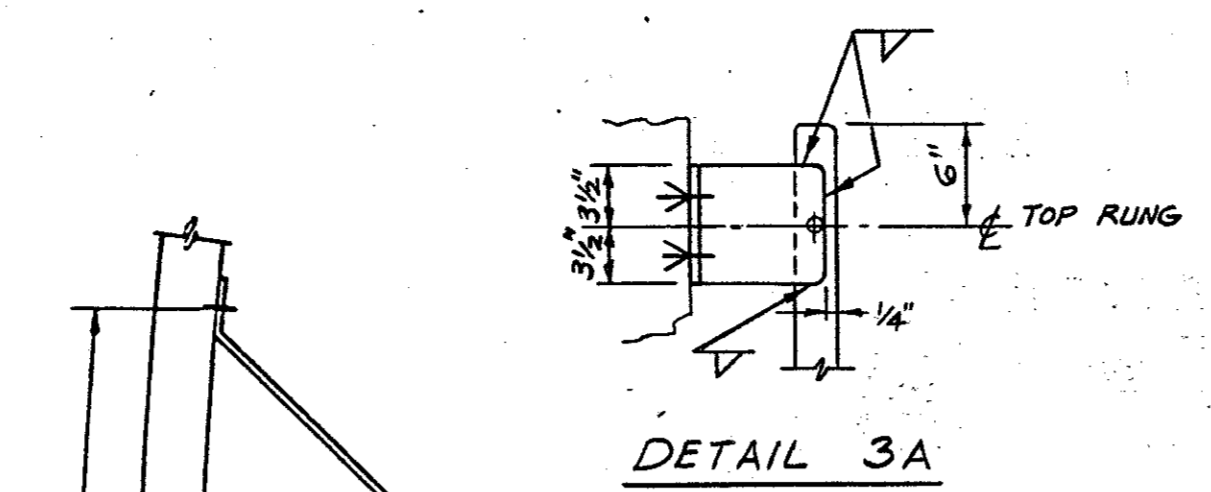


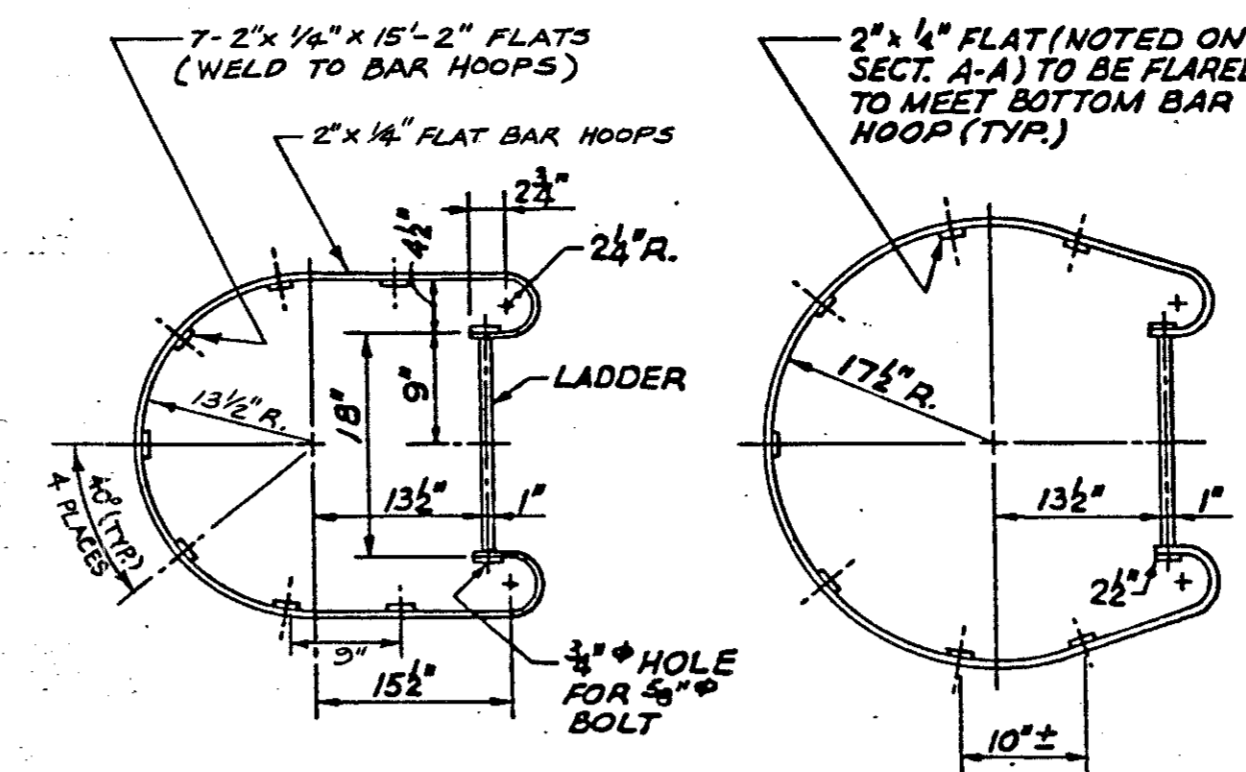
ELEVATION—INSIDE LADDER

- 1. LADDER & COMPONENTS TO BE STAINLESS STEEL (TYPE 304).
- 2. HARDWARE TO BE STAINLESS STEEL.

NOT TO SCALE



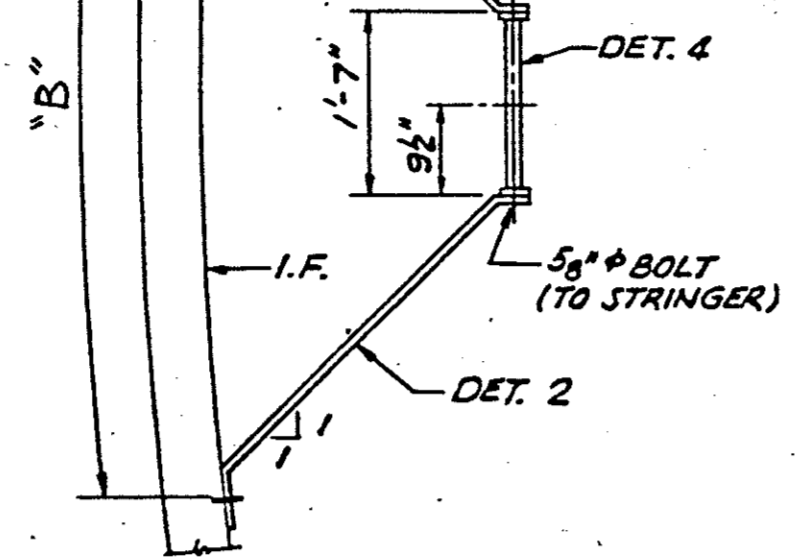
DETAIL 3A



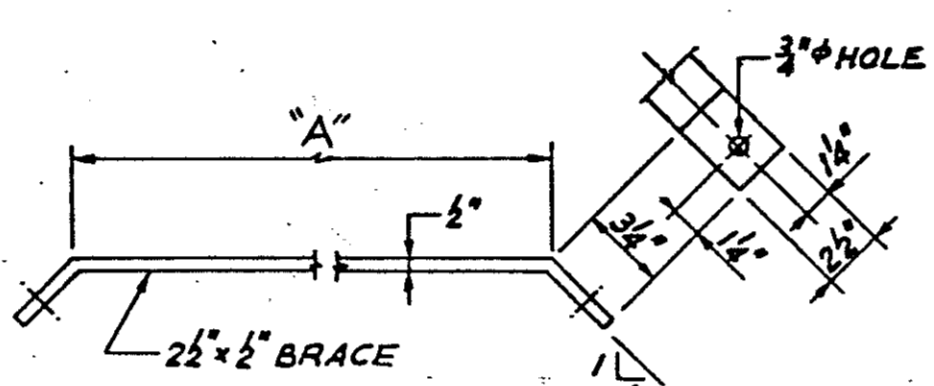
SECT. A-A TOP & INTERMEDIATE BAR HOOPS TOTAL: 5 REQ'D
 SECT. B-B BOTTOM BAR HOOP TOTAL: 1 REQ'D (SAME AS SECT. A-A, EXCEPT AS SHOWN)

LADDER BRACE SCHEDULE

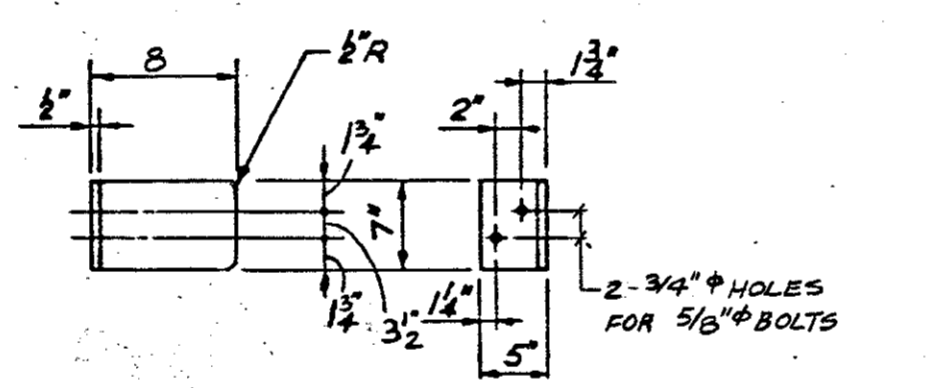
BRACE	"A"	"B"
IL-1	4'-7 3/8"	8'-5 1/8"
IL-2	4'-8 3/8"	8'-6 3/8"
IL-3	4'-8 3/8"	8'-7 1/8"
IL-4	4'-9 3/8"	8'-7 3/8"
IL-5	4'-9 3/8"	8'-8 1/8"
IL-6	4'-10 3/8"	8'-9 3/8"
IL-7	4'-10 3/8"	8'-9 3/8"
IL-8	4'-11 3/8"	8'-10 3/8"



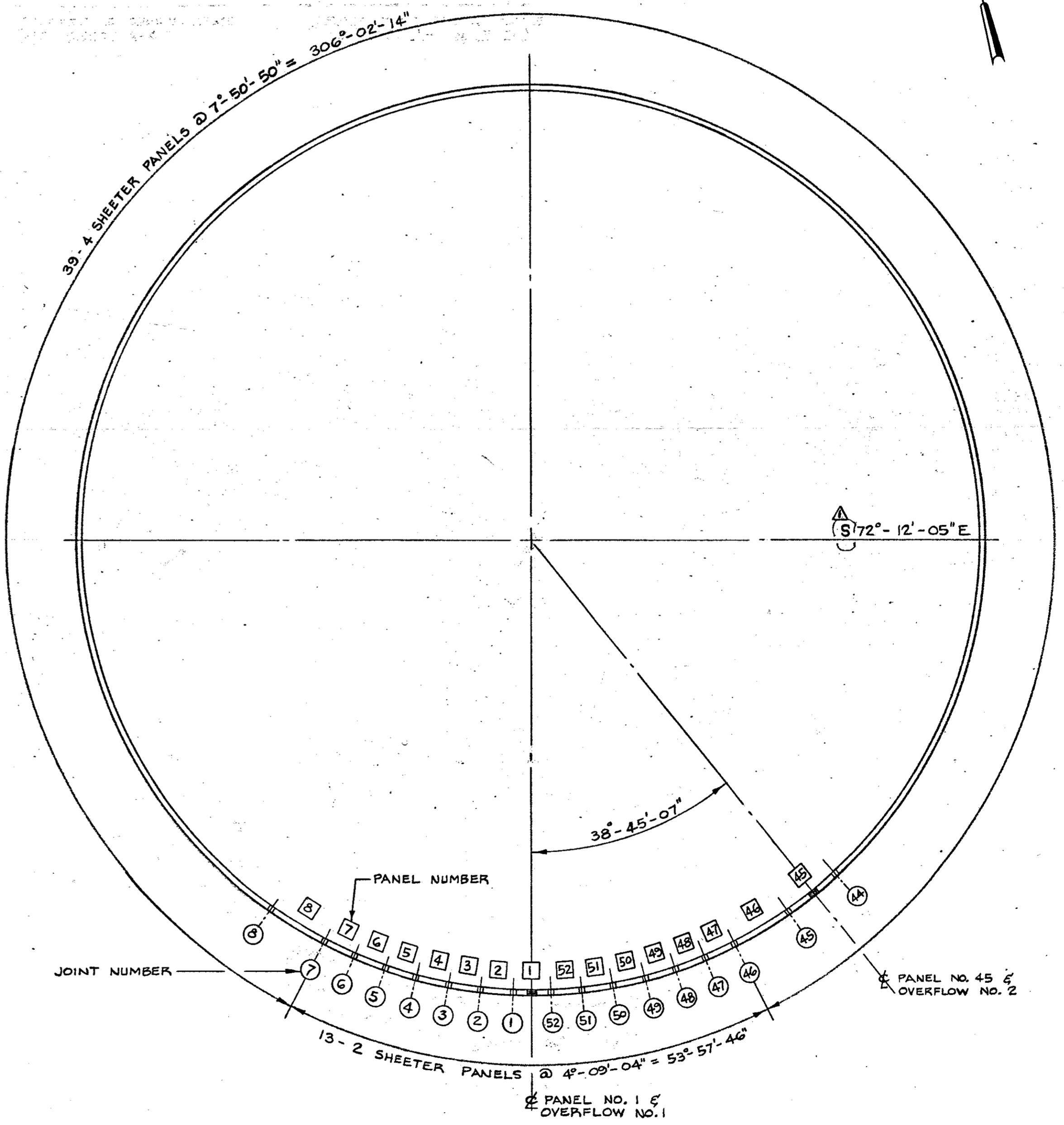
DETAIL 1



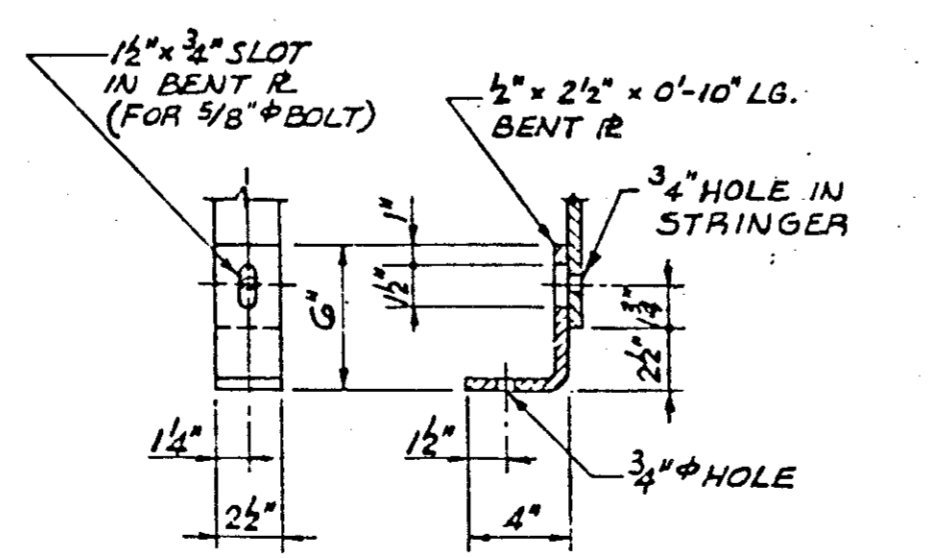
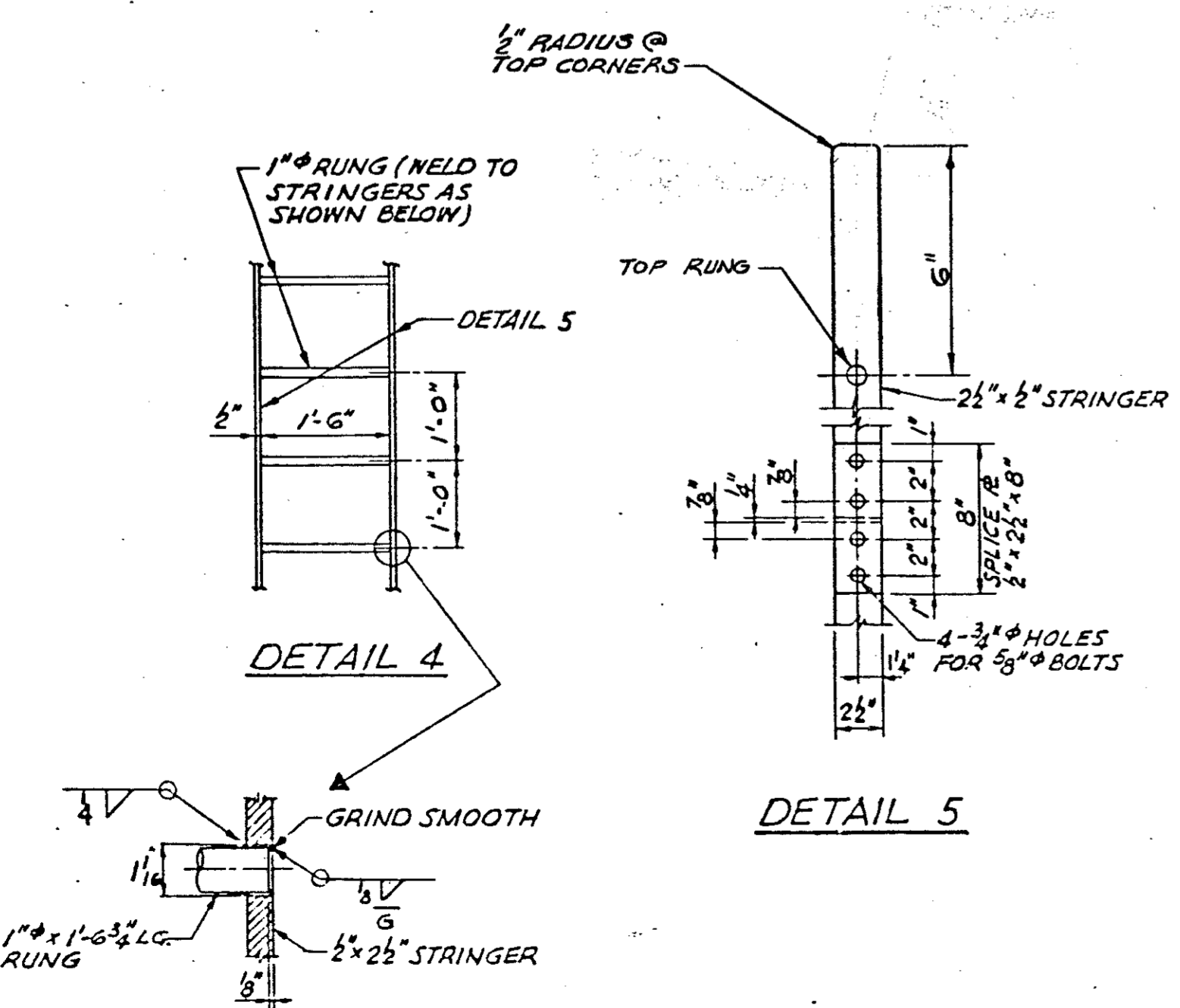
DETAIL 2
(16 LEGS, TOTAL)
2 EACH OF IL-1 TO IL-8



DETAIL 3
(1 - AS SHOWN)
(1 - OPP. HAND)



PANEL LAYOUT
SCALE: 1" = 20'



DETAIL 6
(2 THUS)

REVISIONS			
NO	DATE	DESCRIPTION	BY CKD
Δ	5/18/86	REVISED BEARINGS ON PANEL LAYOUT REVISED ELEV.-INSIDE LADDER	E RAO



639 STEWART AVENUE, GARDEN CITY, NEW YORK, 11530
 THIS DRAWING IS THE PROPERTY OF THE PRELOAD COMPANY, INC. AND/OR PRELOAD TECHNOLOGY, INC. AND IS SUBJECT TO RETURN ON DEMAND. IT CONTAINS FEATURES OF DESIGN WHICH ARE FULLY COVERED BY PATENTS AND PATENTS PENDING AND COPYRIGHTS. IT IS SUBMITTED FOR USE ONLY IN CONNECTION WITH PROPOSALS OR CONTRACTS OF PRELOAD OR ITS LICENSEES UPON THE EXPRESS CONDITION THAT IT MAY NOT BE USED ON ANY OTHER DIFFERENT PROJECTS WITHOUT PRIOR APPROVAL OF PRELOAD.

WORKING DRAWING
 ONE 6.0 M.G. WATER STORAGE TANK
 ADDISON, TEXAS

LADDER DETAILS & PANEL LAYOUT

DRAWN: JD	SCALE: AS SHOWN	CONTRACT NUMBER: 86 PE 004
DESIGNED: RAO	MTD:	TEX.
CHECKED: FD	DATE: 4-24-86	DRAWING NUMBER: 83-C07-7

