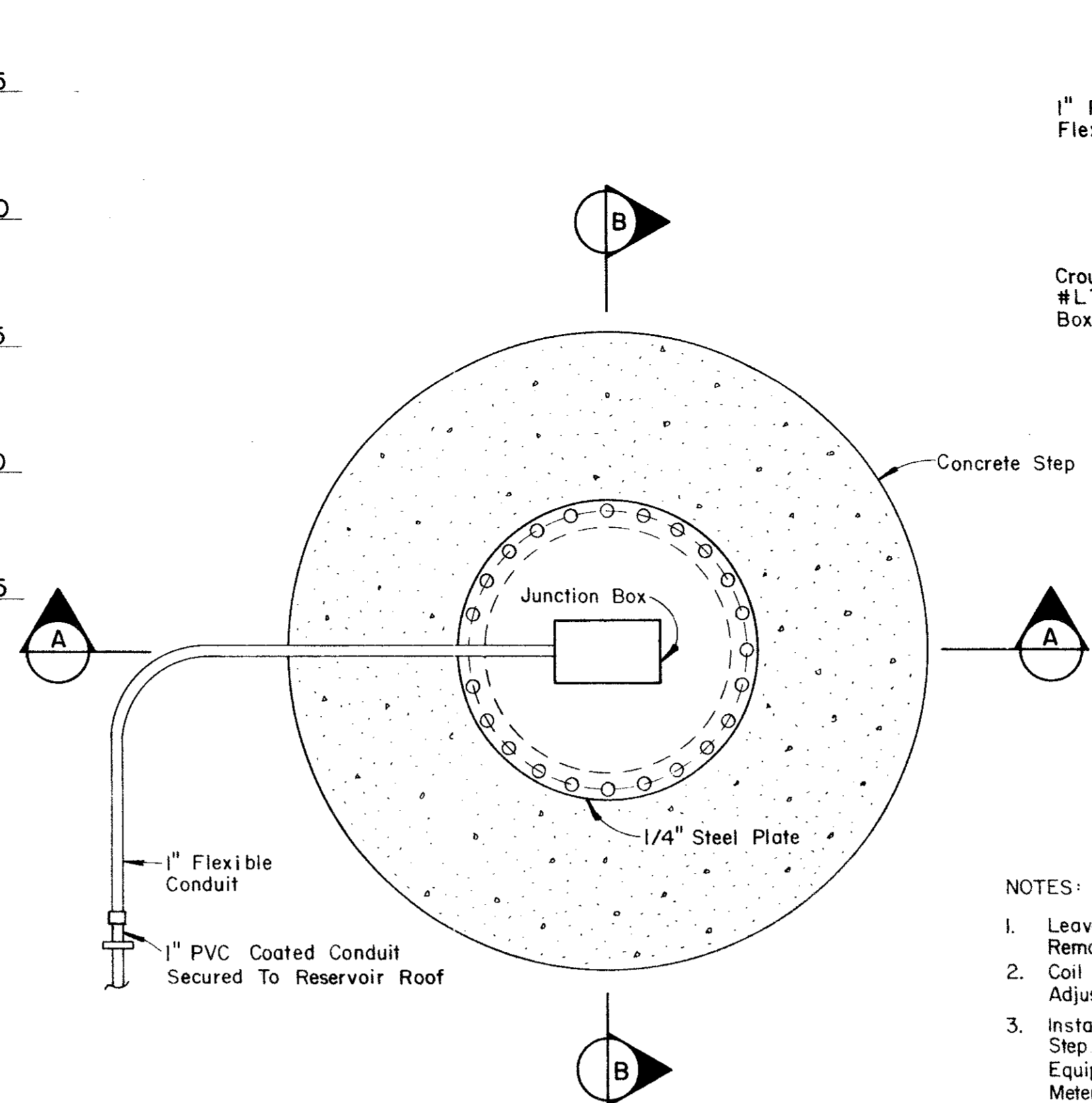


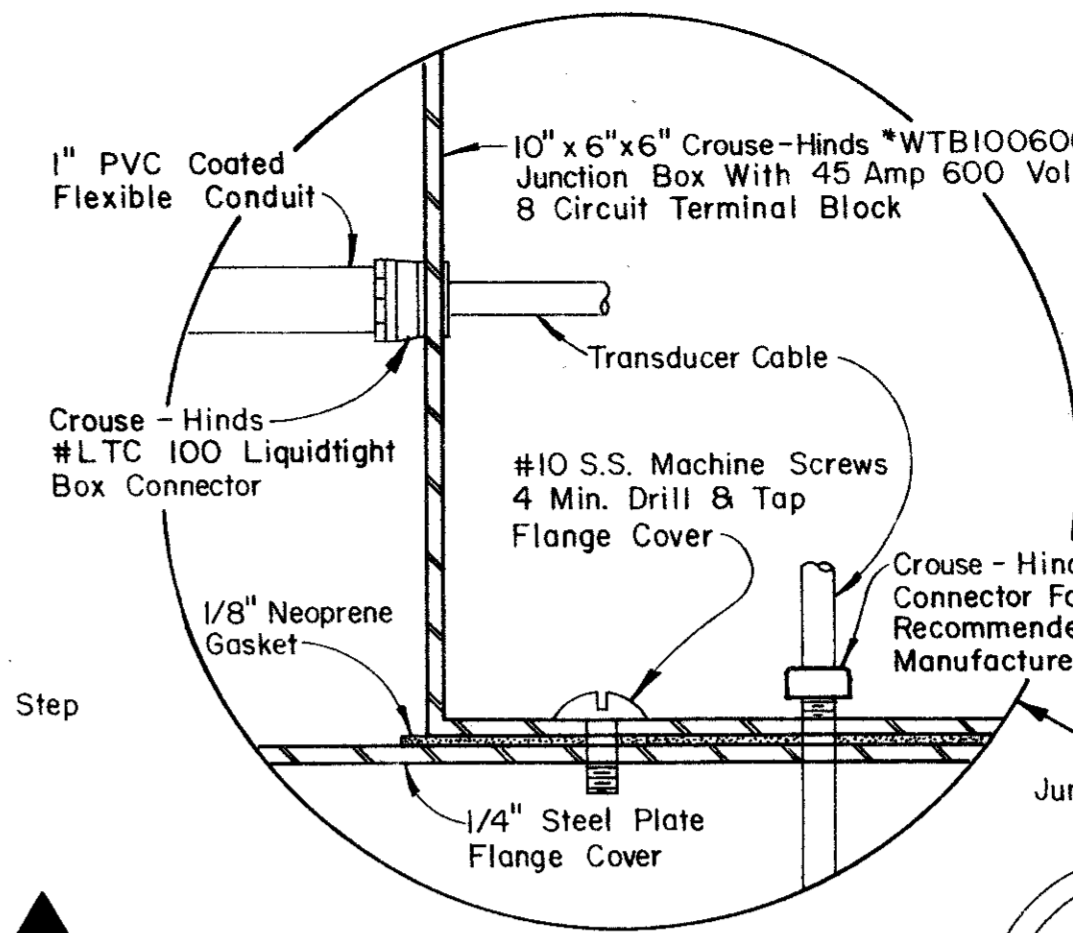
BERM SECTION

Scale: H: 1" = 10'
V: 1" = 5'



PLAN SONIC LEVEL TRANSMITTER

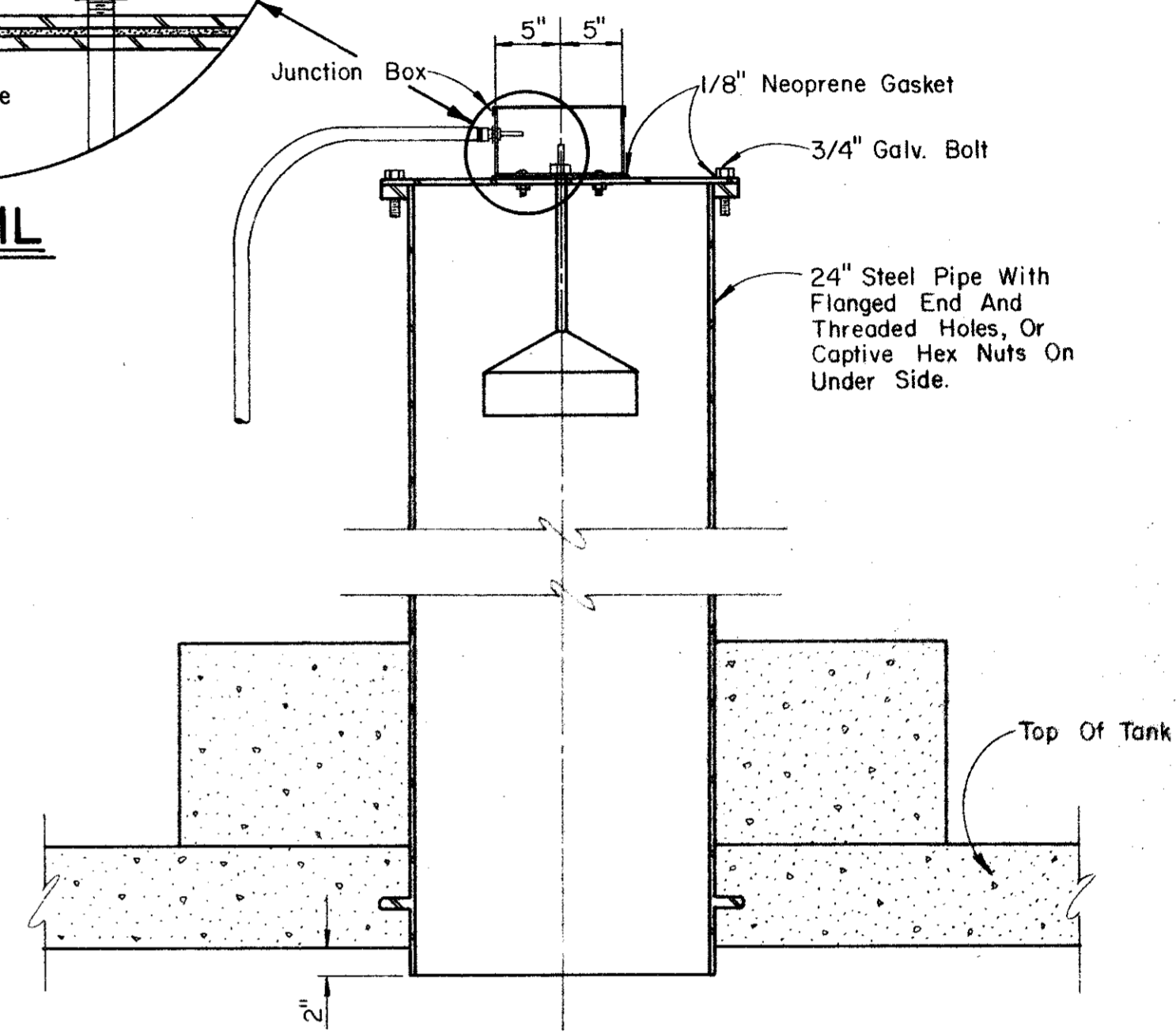
Scale: 1" = 1'-0"



DETAIL
N.T.S.

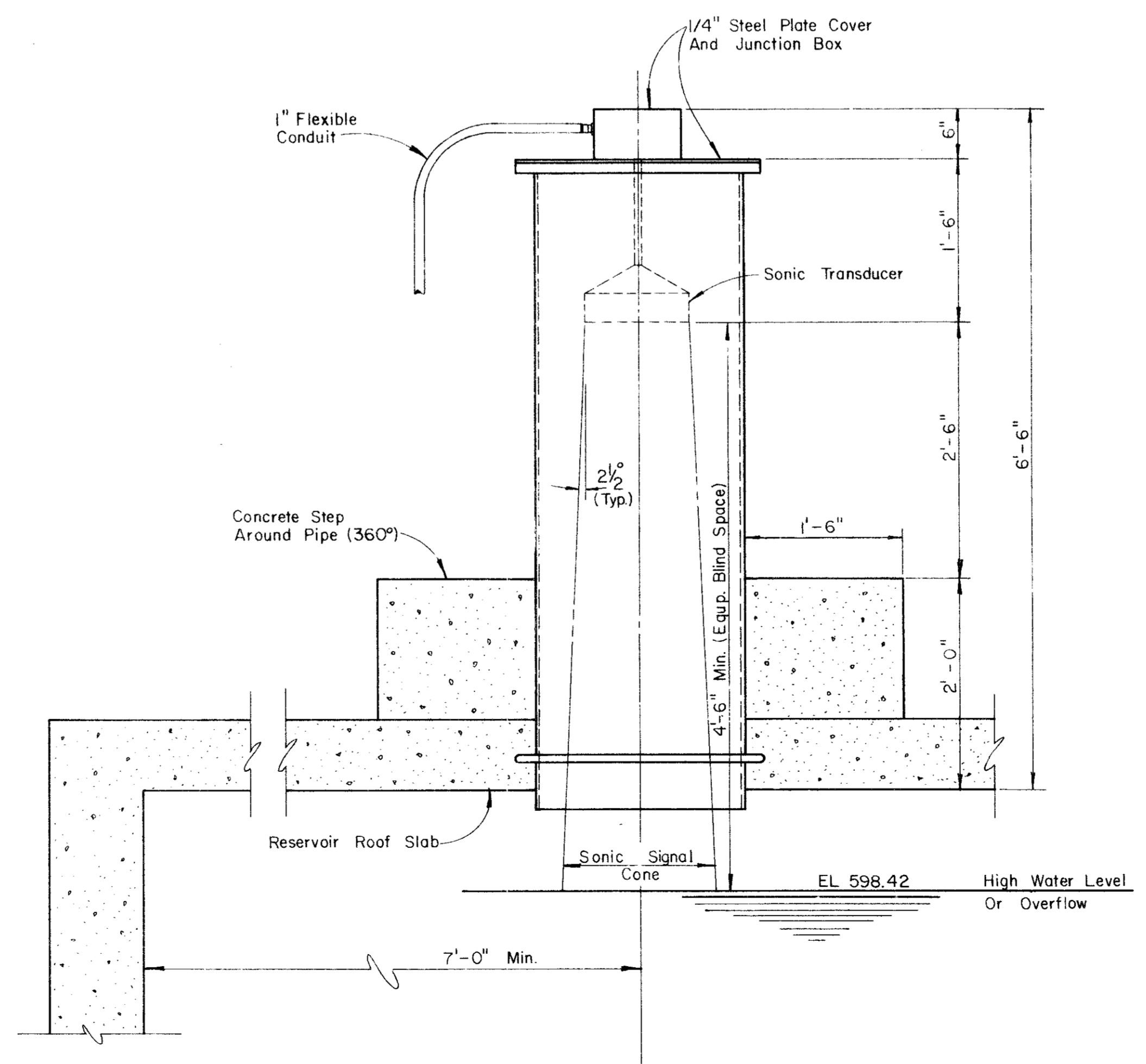
NOTES:

1. Leave Slack In Flexible Conduit For Removal Of Cover Plate.
2. Coil Excess Cable In Box For Future Adjustments.
3. Installation Of 24" Steel Pipe And Step Will Be By Reservoir Contractor. Equipment Will Be Installed By Meter Vault Contractor.
4. Install Transducer On A Radius Line A Minimum Of 90° From The Inlet And Overflow.



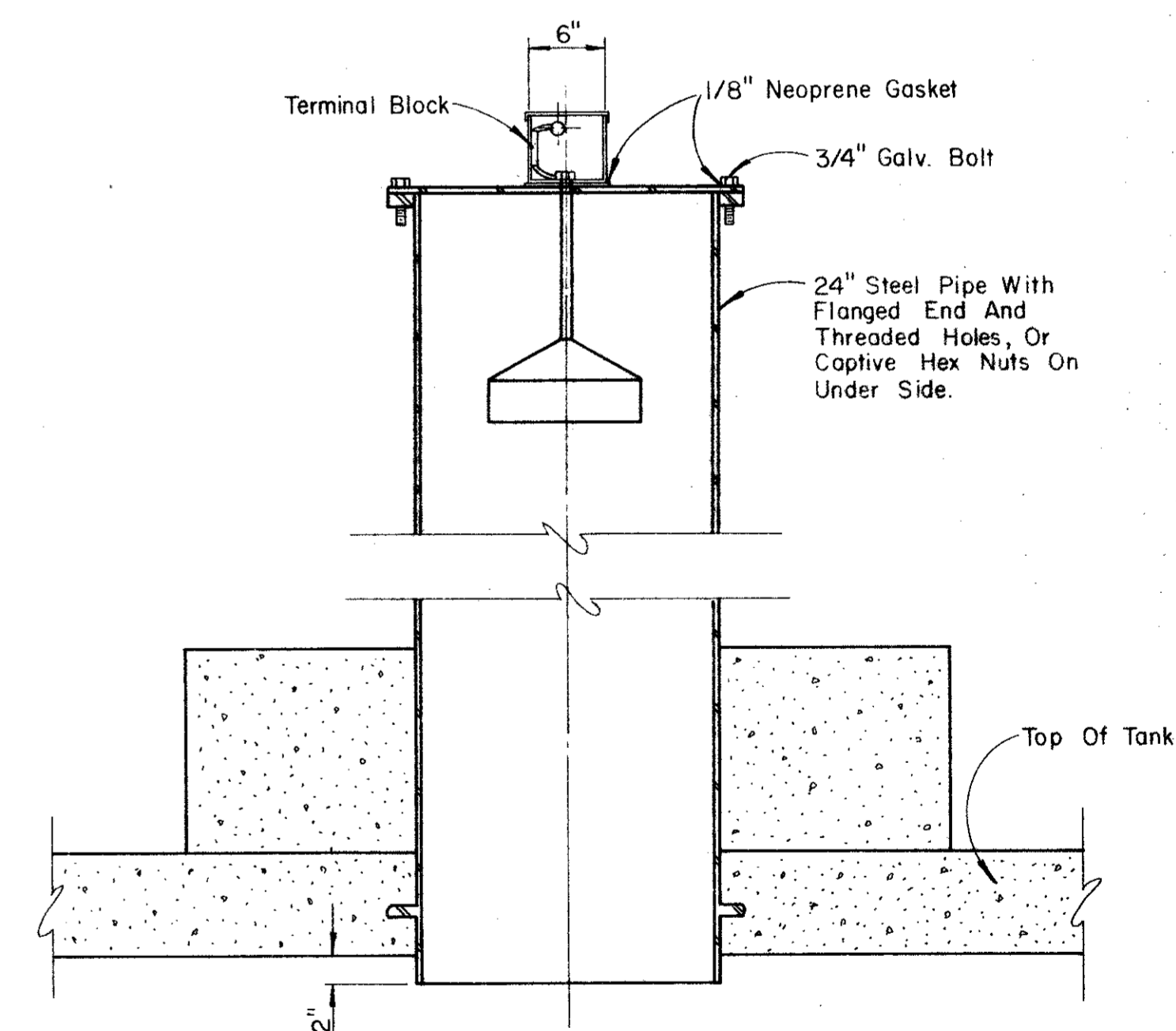
SECTION A-A

Scale: 1" = 1'-0"



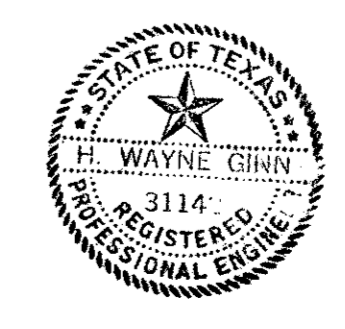
ELEVATION

Scale: 1" = 1'-0"



SECTION B-B

Scale: 1" = 1'-0"



1 SONIC LEVEL TRANSMITTER ADDENDUM #1		RCH	5-7-86
No.	Revision	By	Date
TOWN OF ADDISON DALLAS COUNTY, TEXAS			
6 MG CELESTIAL ROAD STORAGE TANK			
MISCELLANEOUS TANK DETAILS			
GINN, INC. Consulting Engineers Dallas, Texas			
Designed - RCH	Drawn - ALA	Date - FEB. 1986	Job No. - 215
Approved - HWG	Checked - GF	Scale - AS SHOWN	Sheet 4 of 8