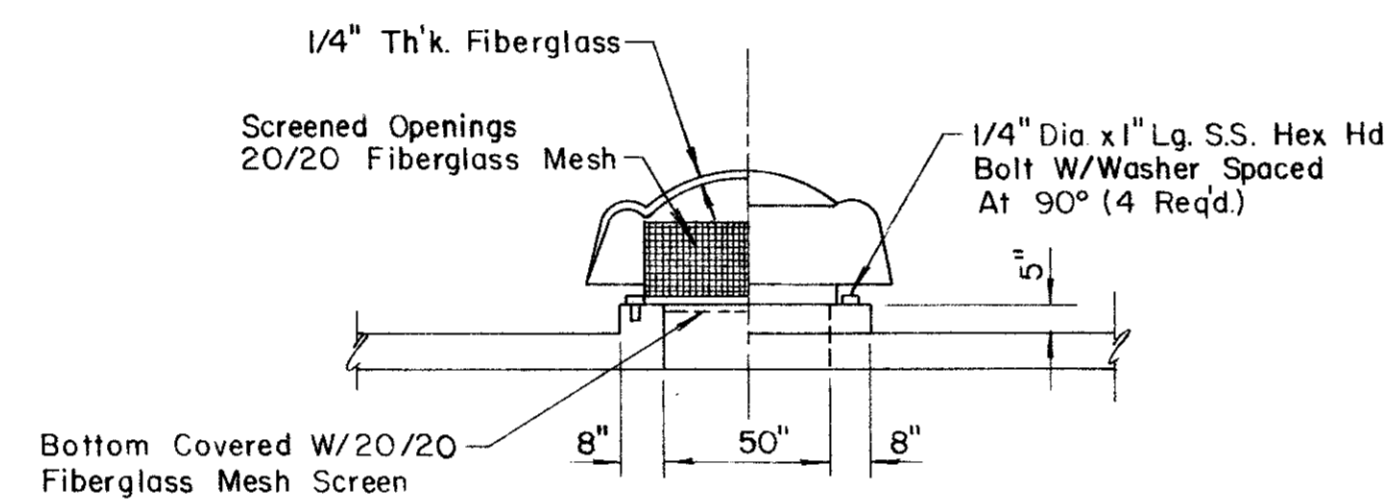
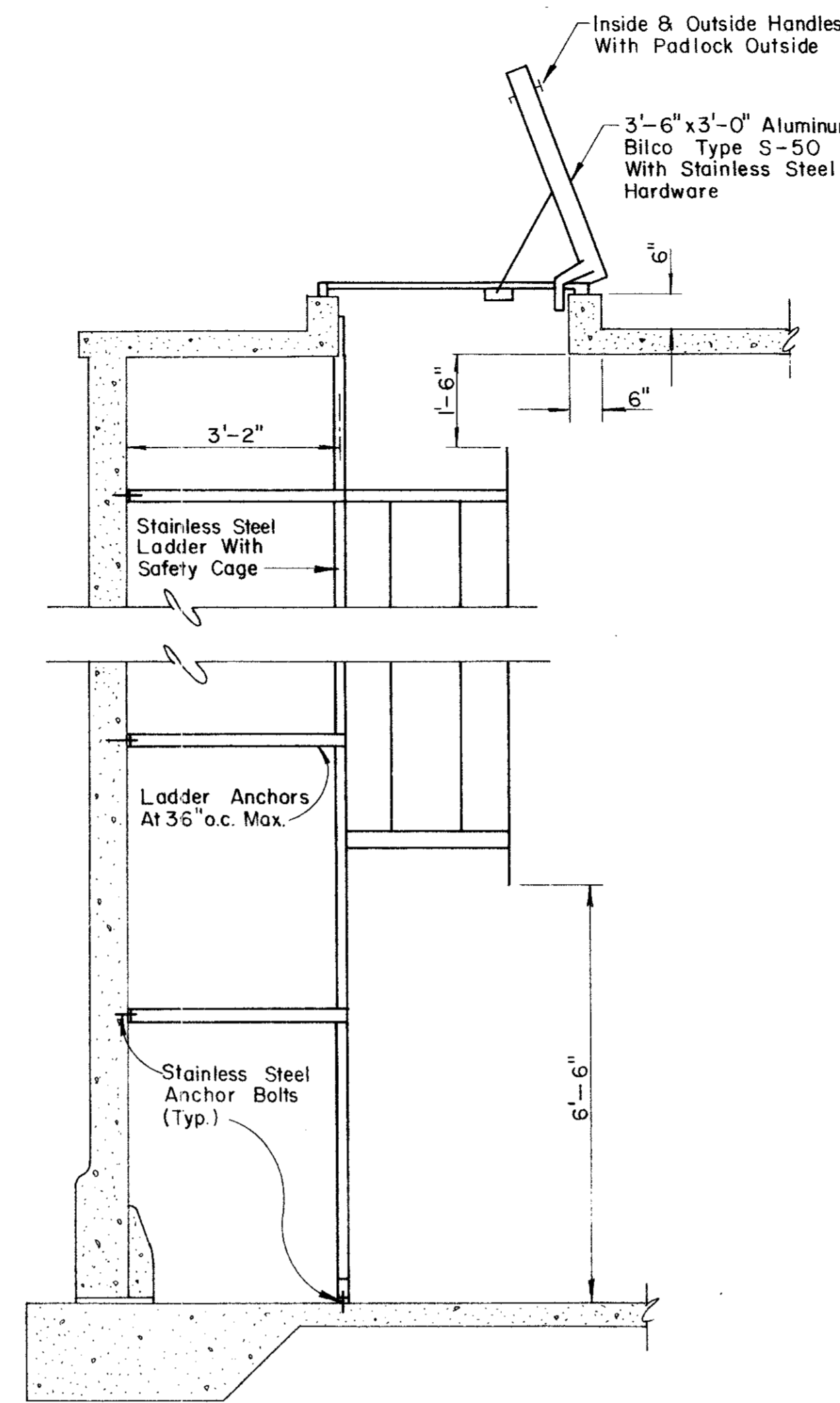


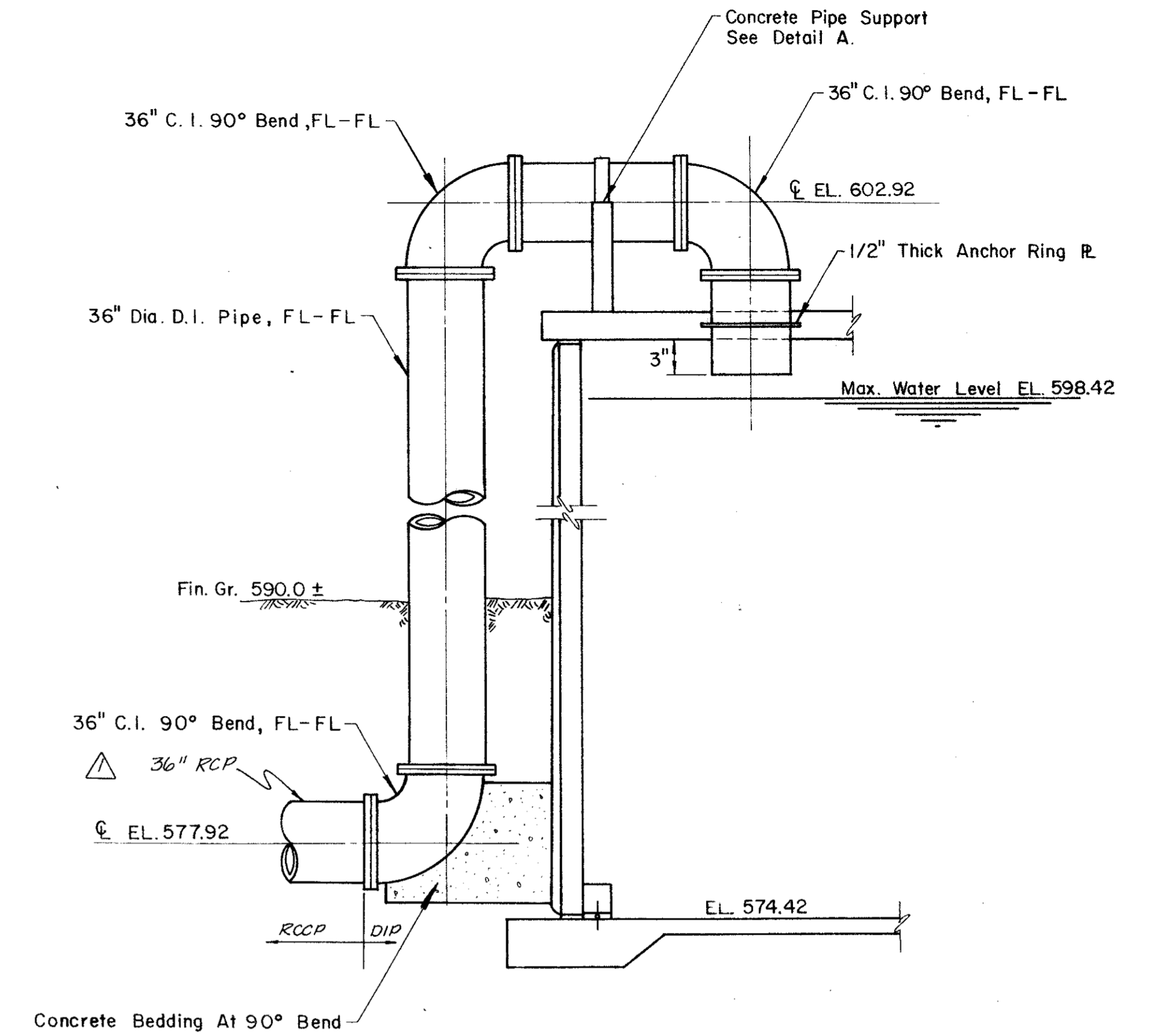
**ROOF VENT  
ALTERNATIVE I**



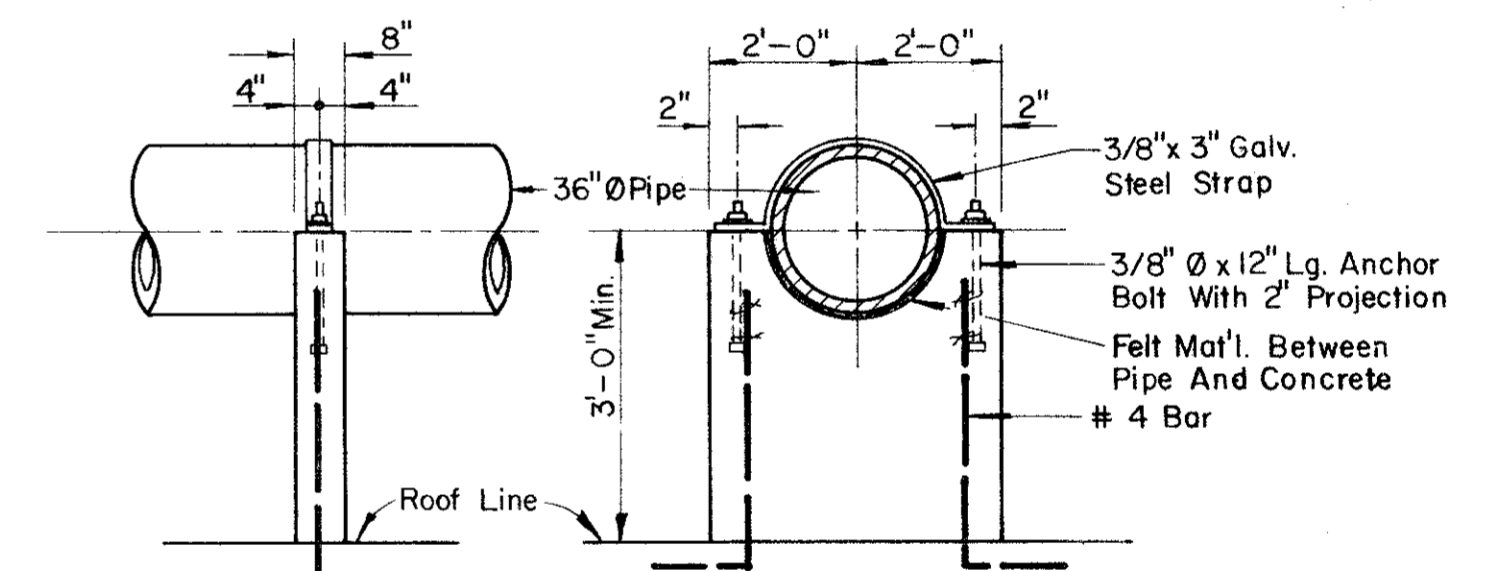
**ROOF VENT  
ALTERNATIVE II**



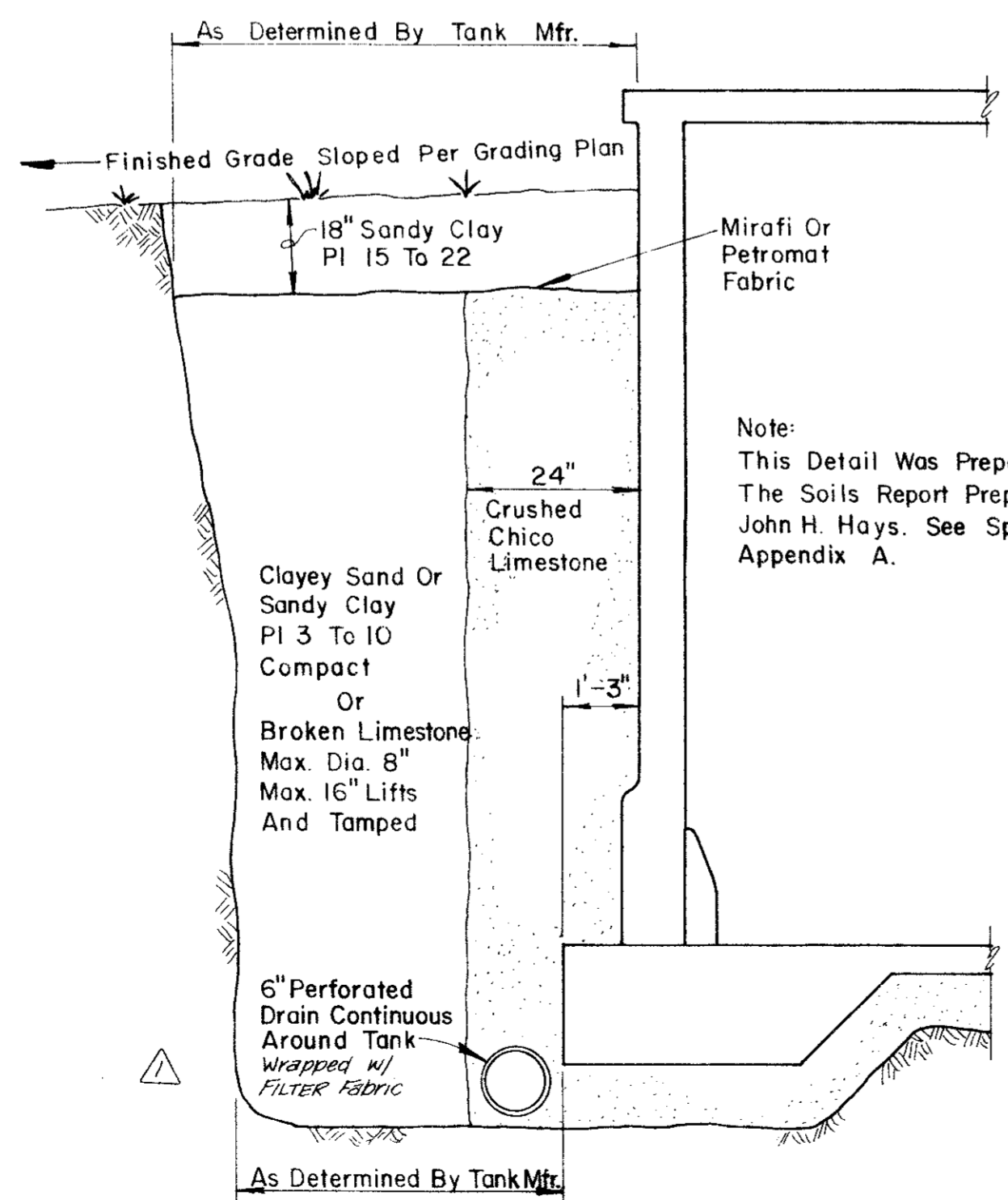
**ACCESS LADDER  
AND HATCH DETAIL**



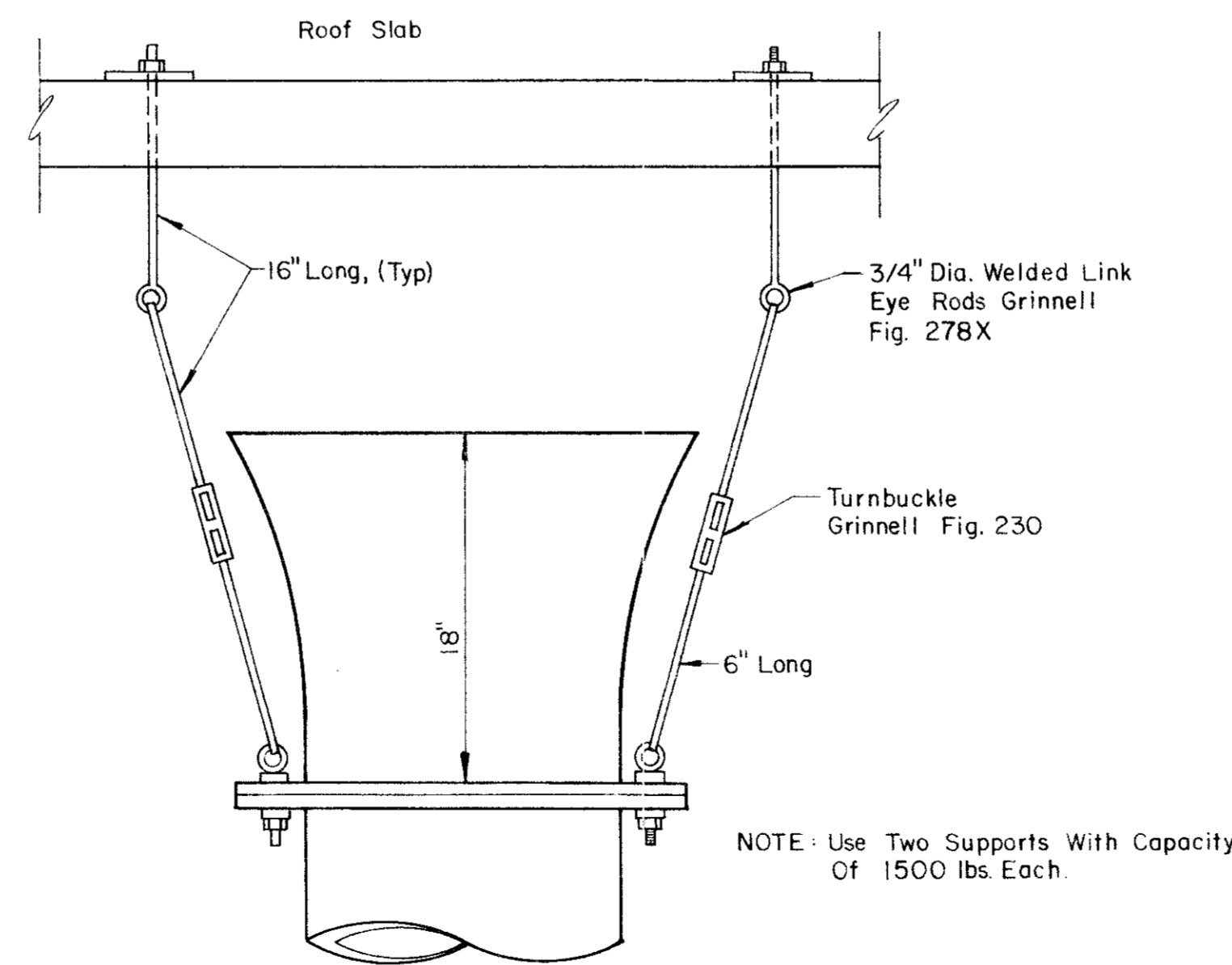
**INLET PIPE**



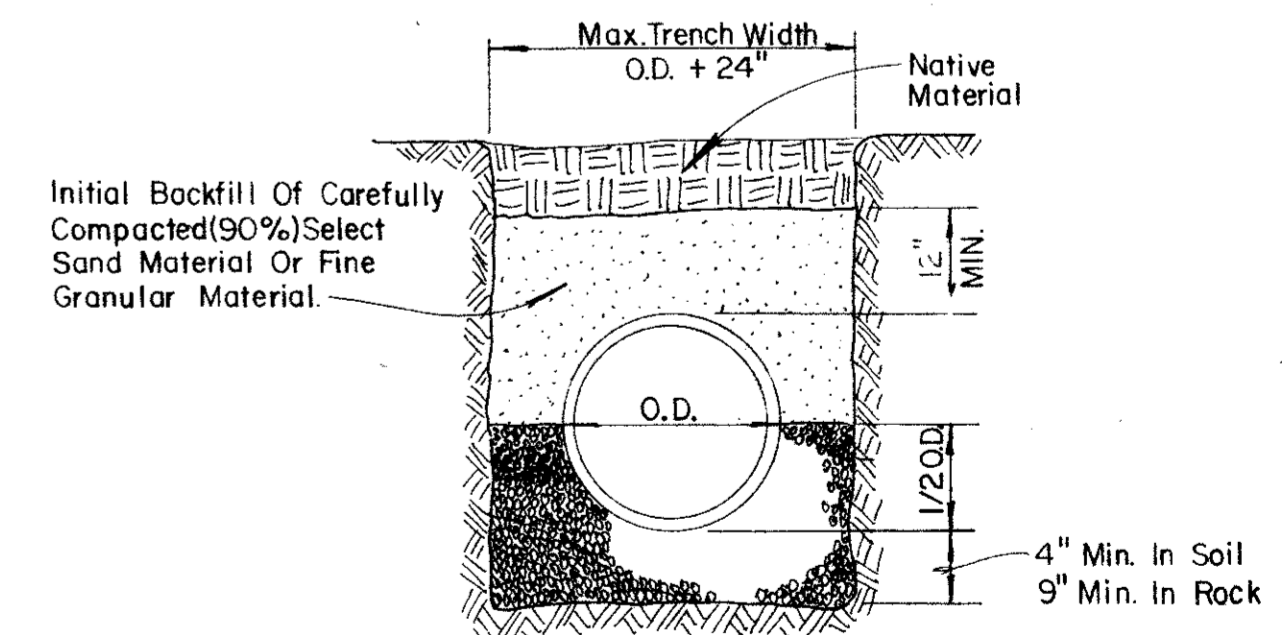
**DETAIL A**



**TANK BACKFILL DETAIL**



**PIPE SUPPORT**



**EMBEDMENT DETAIL  
FOR WATERLINES**



ADDENDUM # 1		By	Date
No.	Revision	RCH	5-7-86
TOWN OF ADDISON DALLAS COUNTY, TEXAS			
<b>6 MG CELESTIAL ROAD STORAGE TANK</b>			
<b>MISCELLANEOUS TANK DETAILS</b>			
<b>GINN, INC.</b> Consulting Engineers Dallas, Texas			
Designed - RCH	Drawn - ALA	Date - FEB 1986	Job No. - 215
Approved - HWG	Checked - GF	Scale - NOT TO SCALE	Sheet 5 OF 8