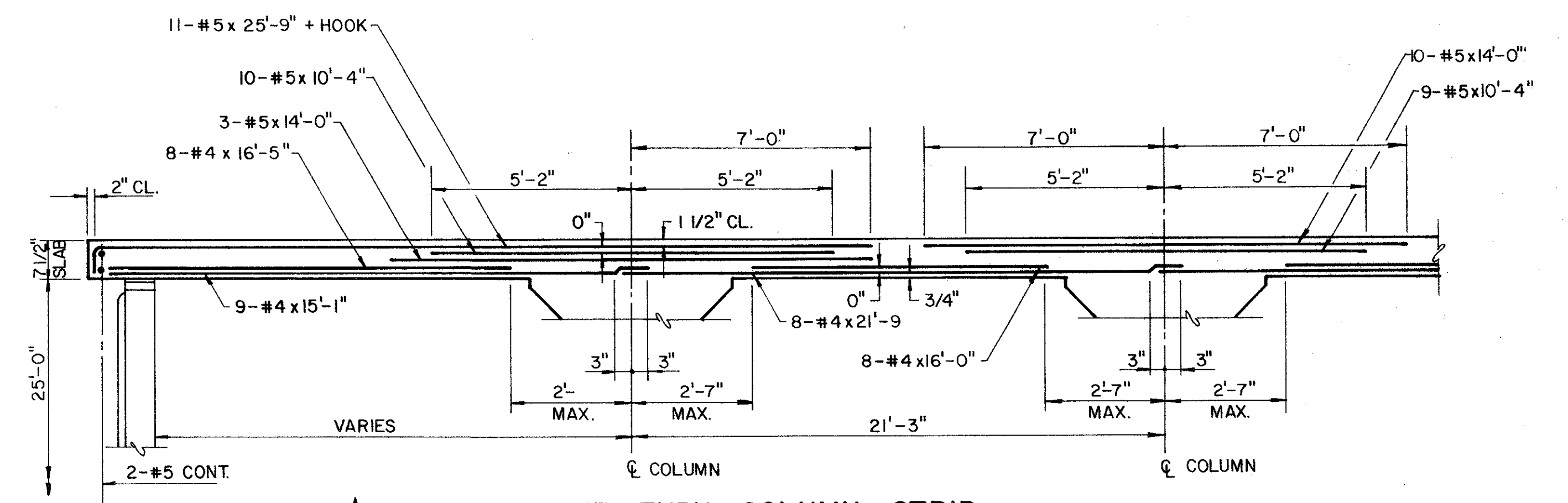
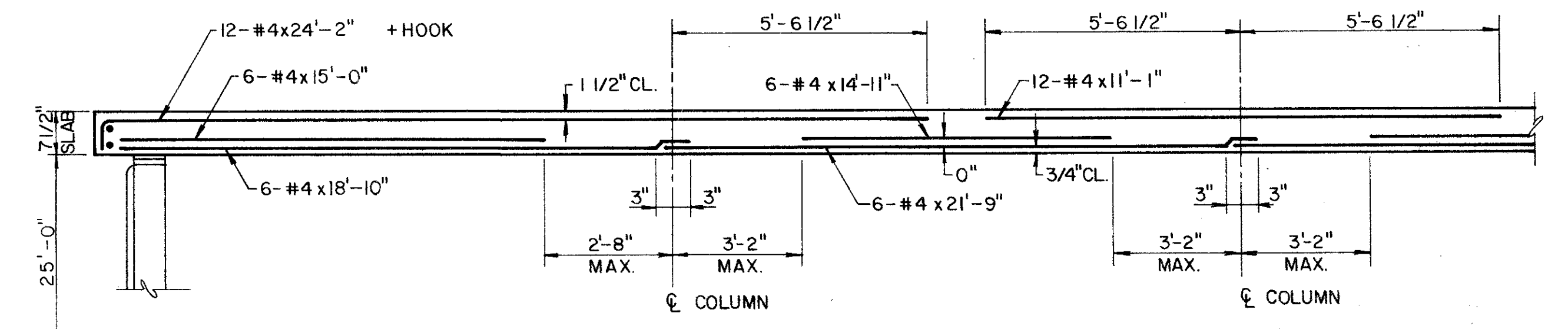


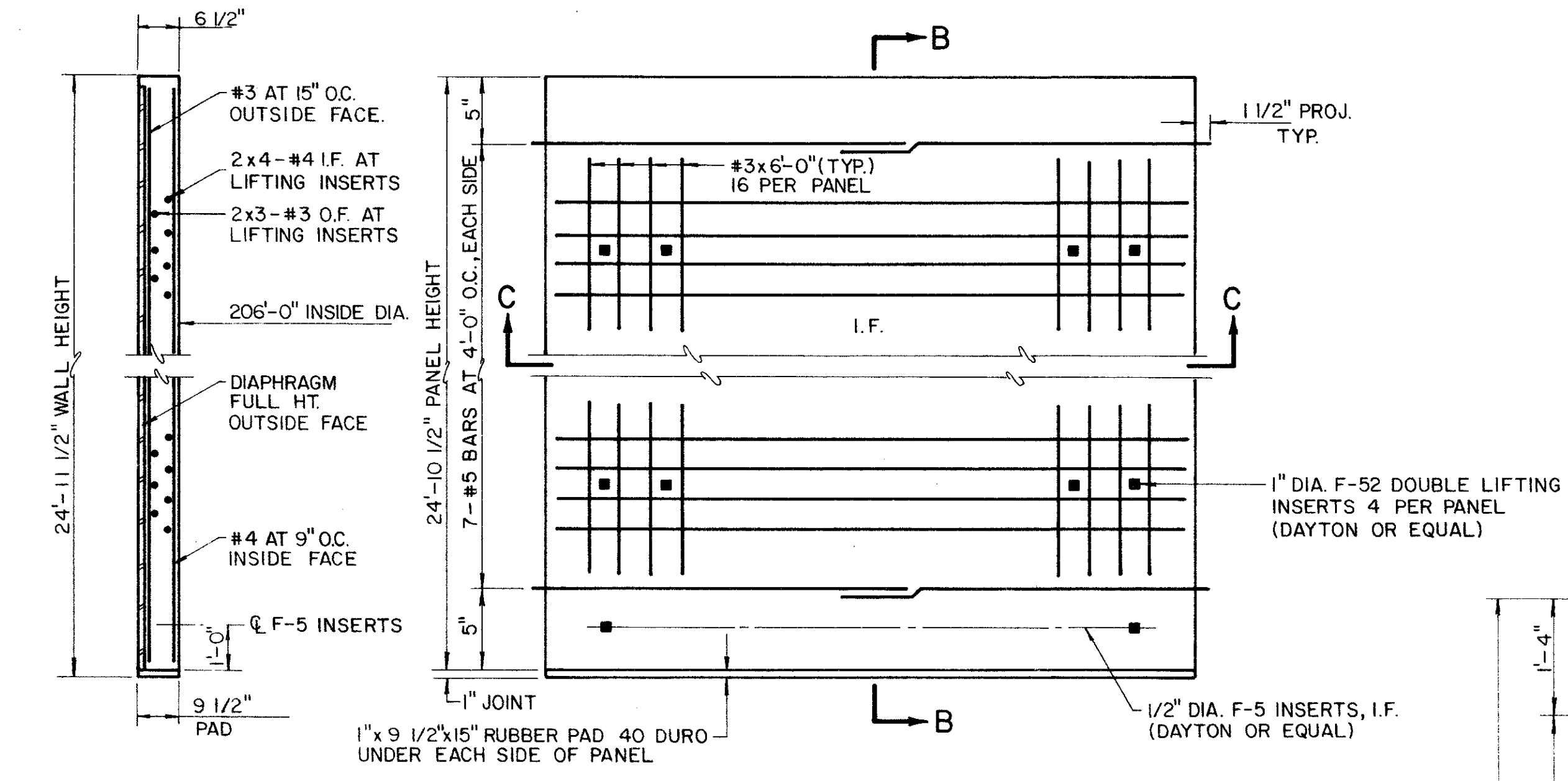
☆ SECTION C-C



☆ REINFORCEMENT THRU COLUMN STRIP

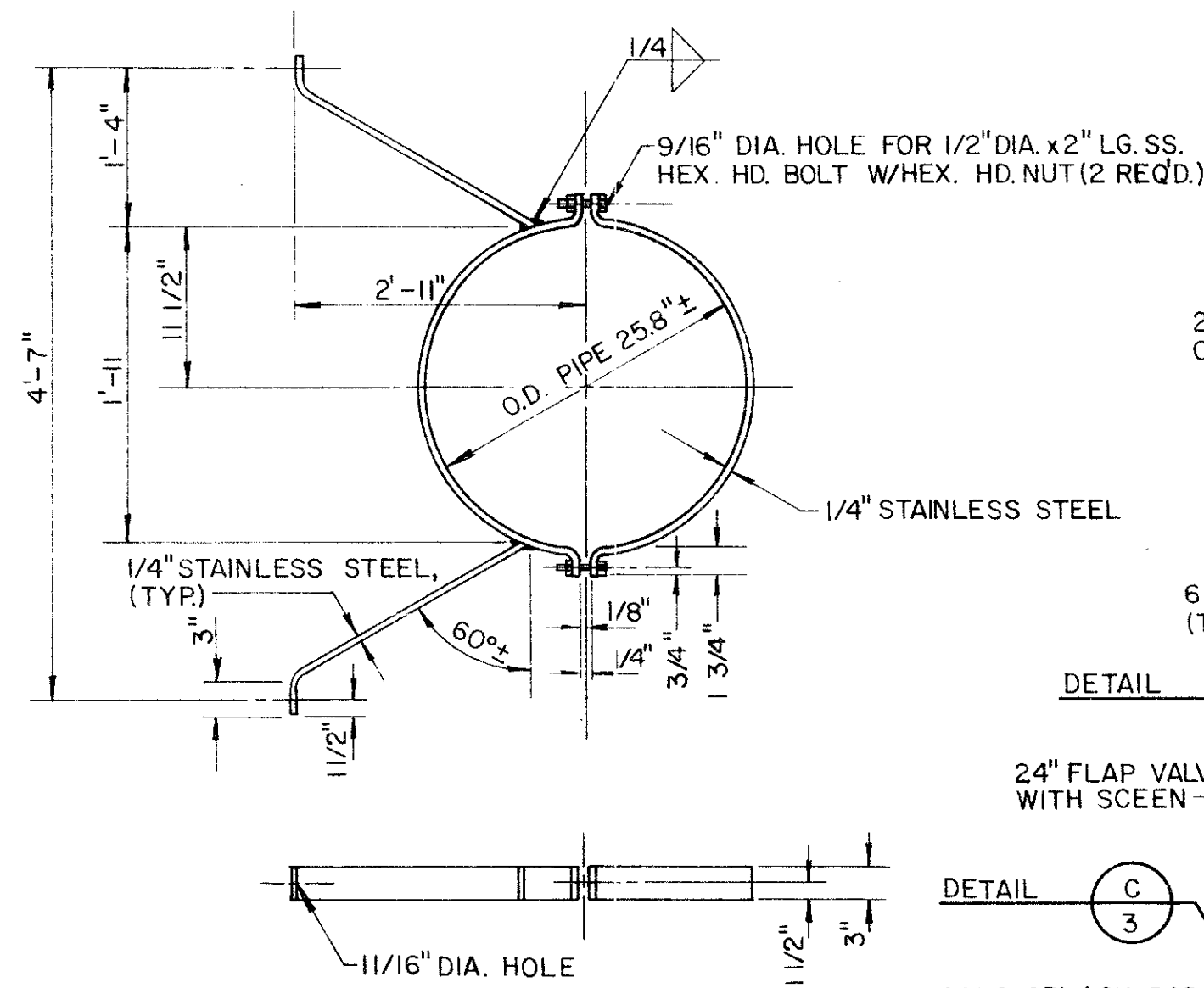


☆ REINFORCEMENT THRU MIDDLE STRIP
REINFORCEMENT SHOWN IN ONE DIRECTION ONLY FOR CLARITY

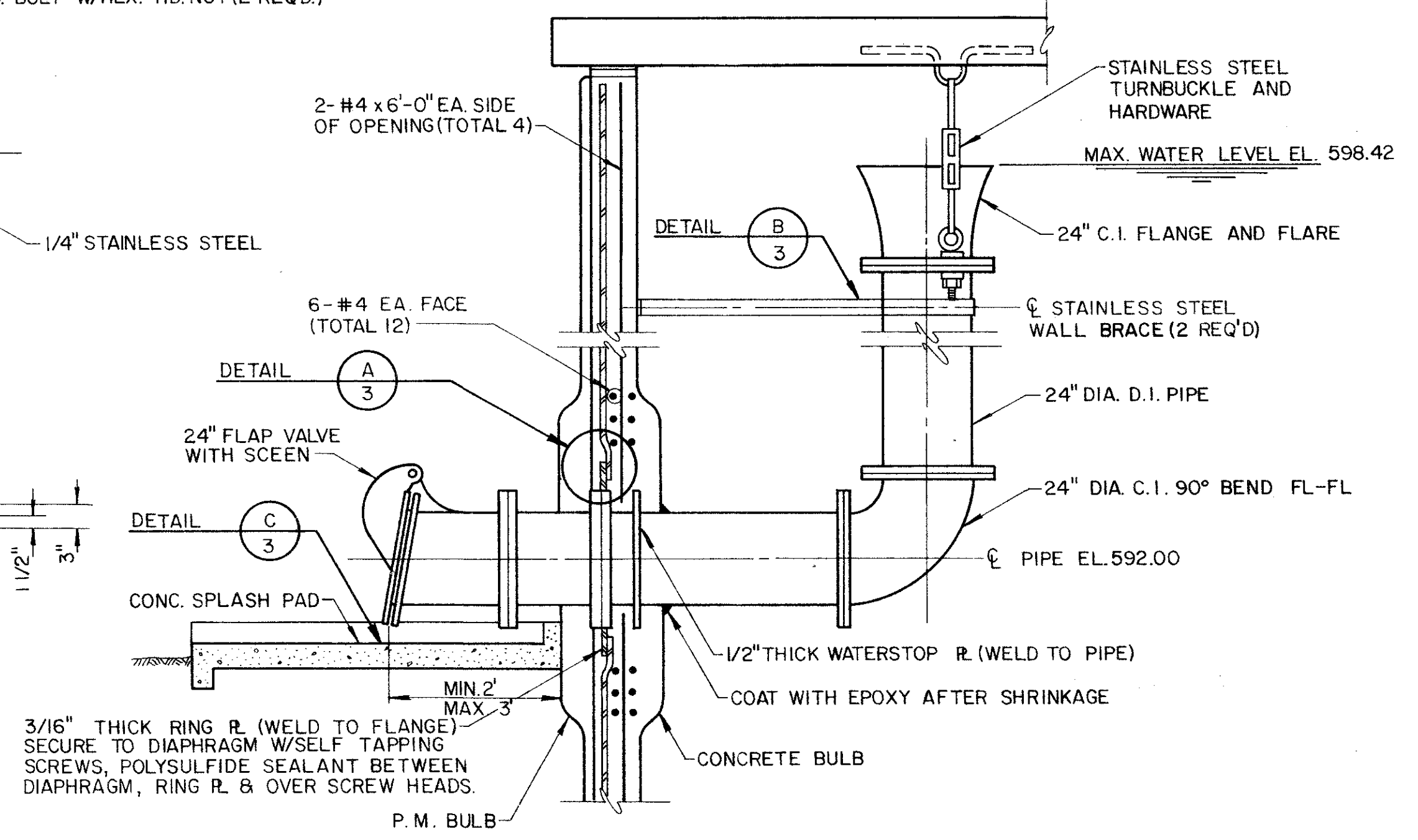


☆ SECTION B-B

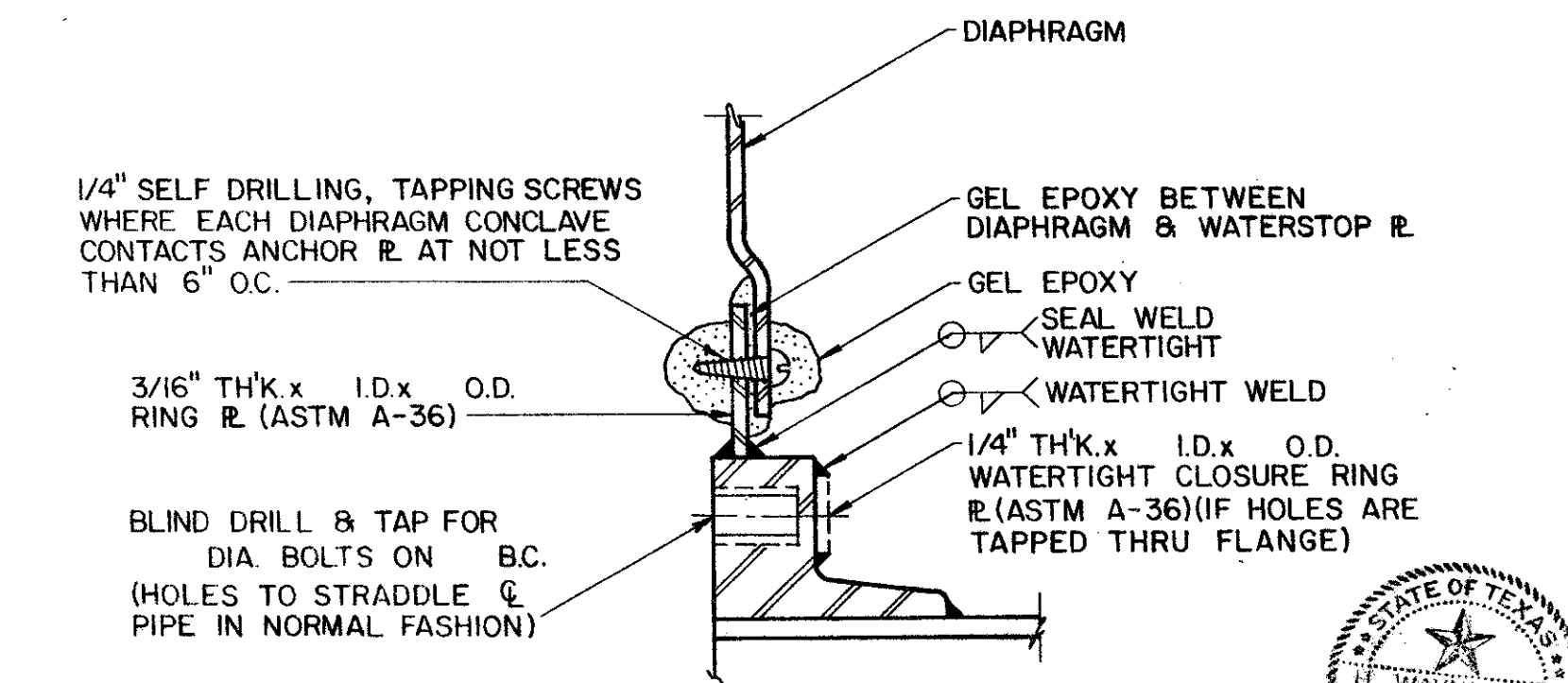
☆ PANEL ELEVATION
☆ (60 REQ'D.)



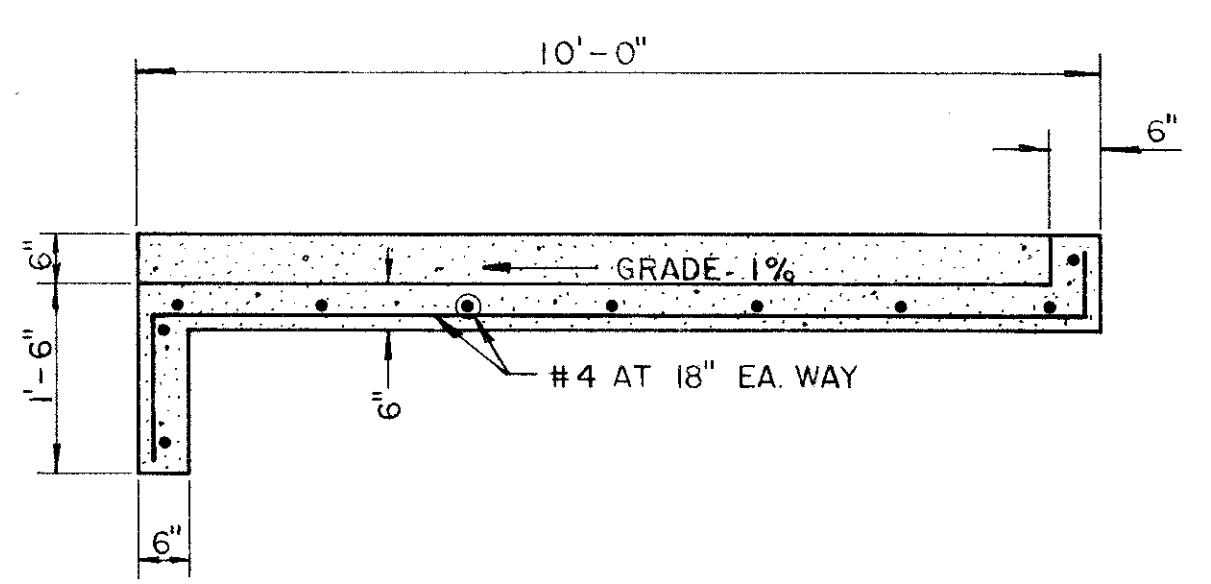
DETAIL B



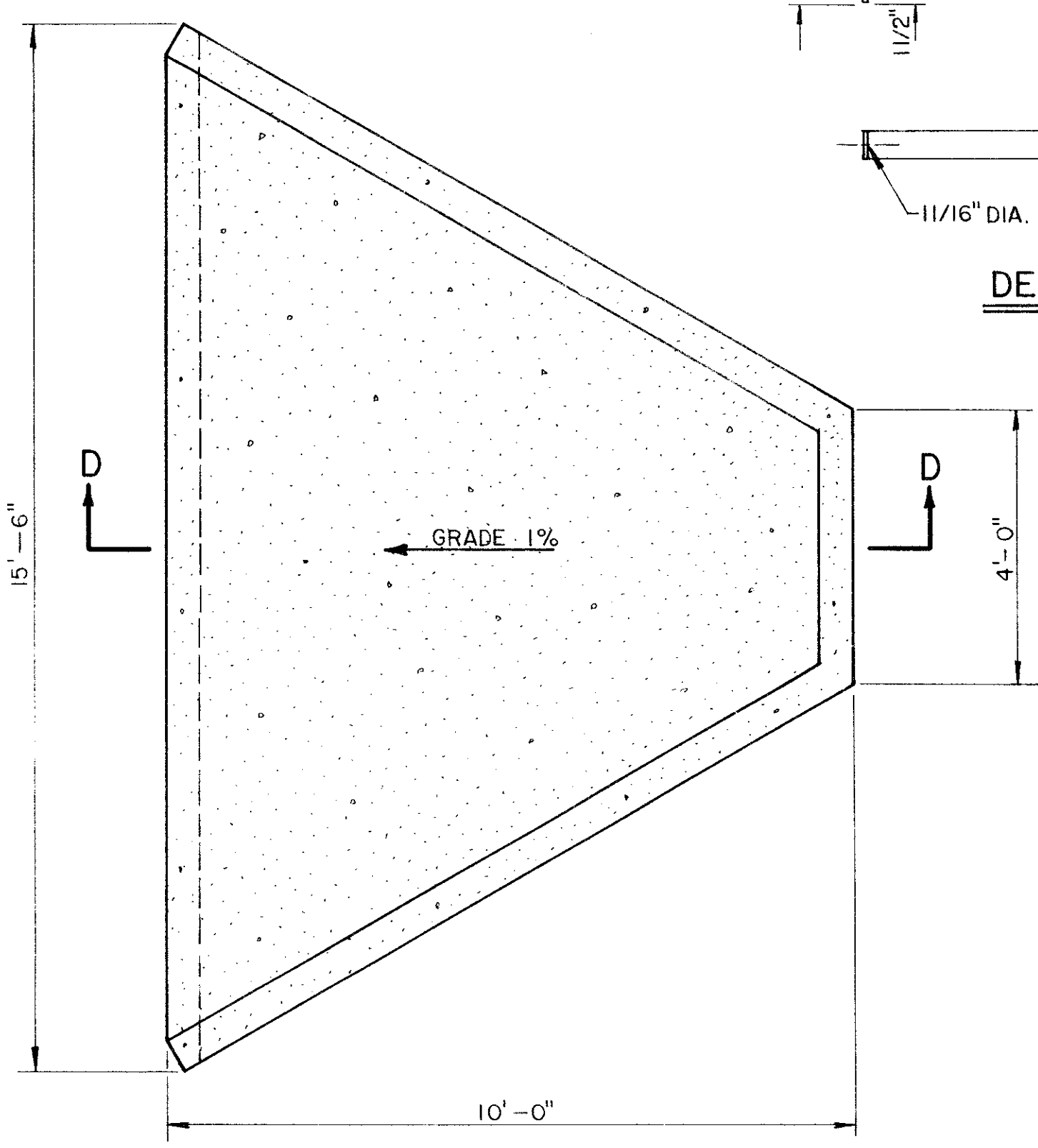
OVERFLOW DETAIL



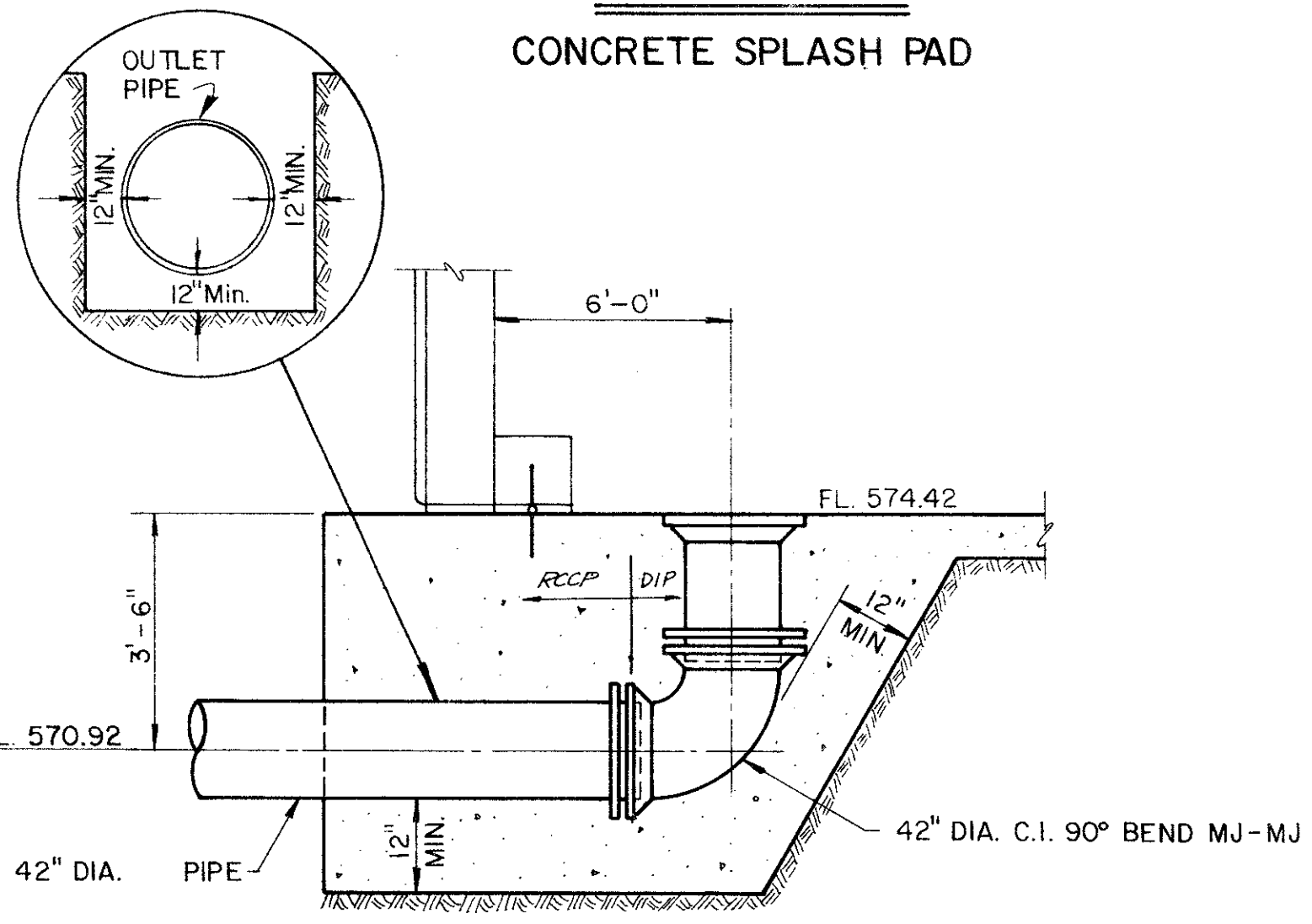
DETAIL A



SECTION D-D
CONCRETE SPLASH PAD



DETAIL C



OUTLET PIPE DETAIL

CLARIFY OUTLET PIPE DETAIL		RCH	5-7-86
No.	Revision	By	Date
TOWN OF ADDISON DALLAS COUNTY, TEXAS			
6 MG CELESTIAL ROAD STORAGE TANK			
MISCELLANEOUS TANK DETAILS			
GINN, INC. Consulting Engineers Dallas, Texas			
Designed - RCH	Drawn - ALA	Date - FEB. 1986	Job No. - 215
Approved - HWG	Checked - GF	Scale - NOT TO SCALE	Sheet 3 of 8

