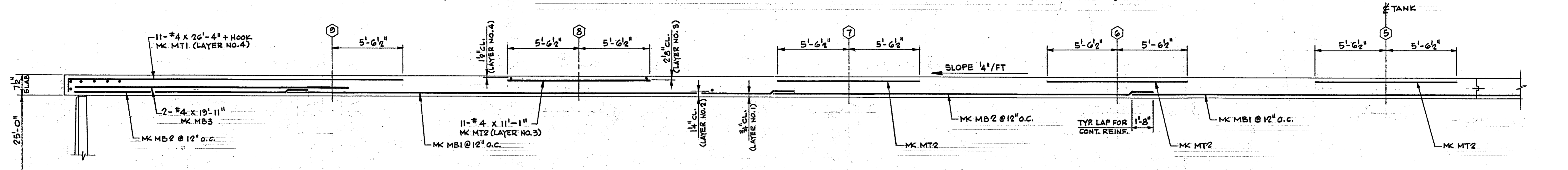
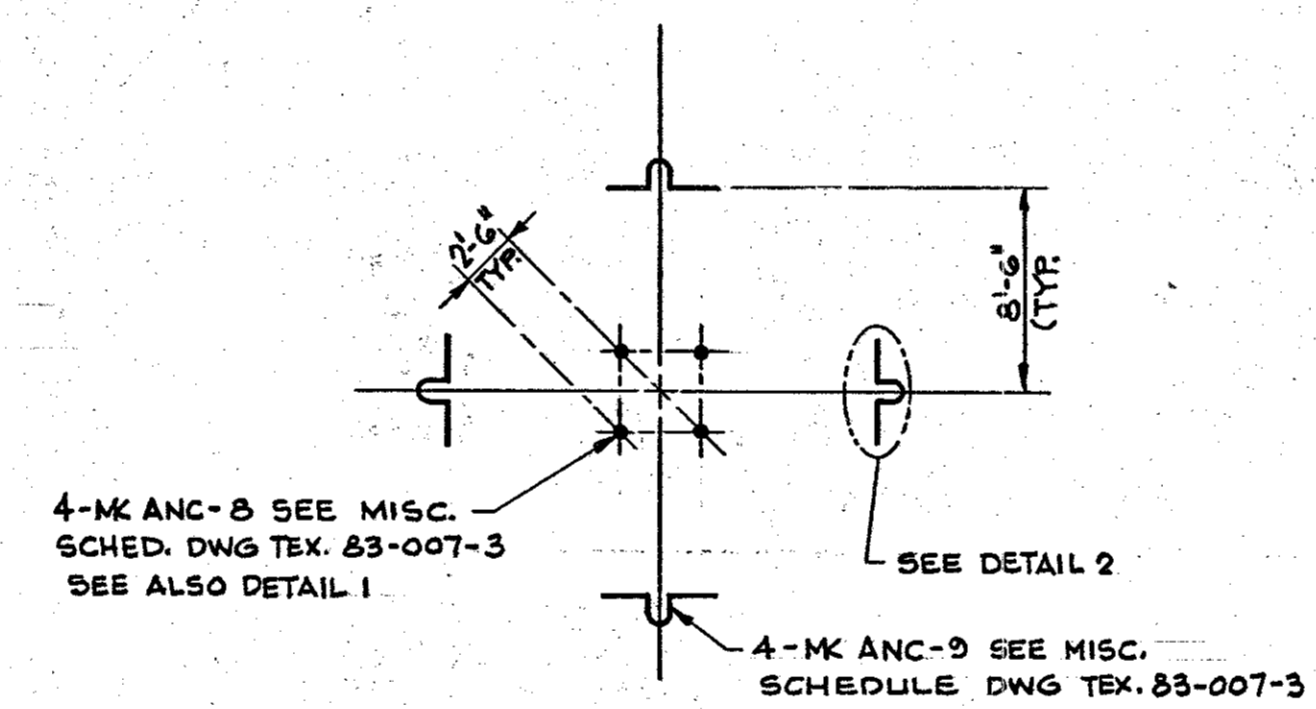
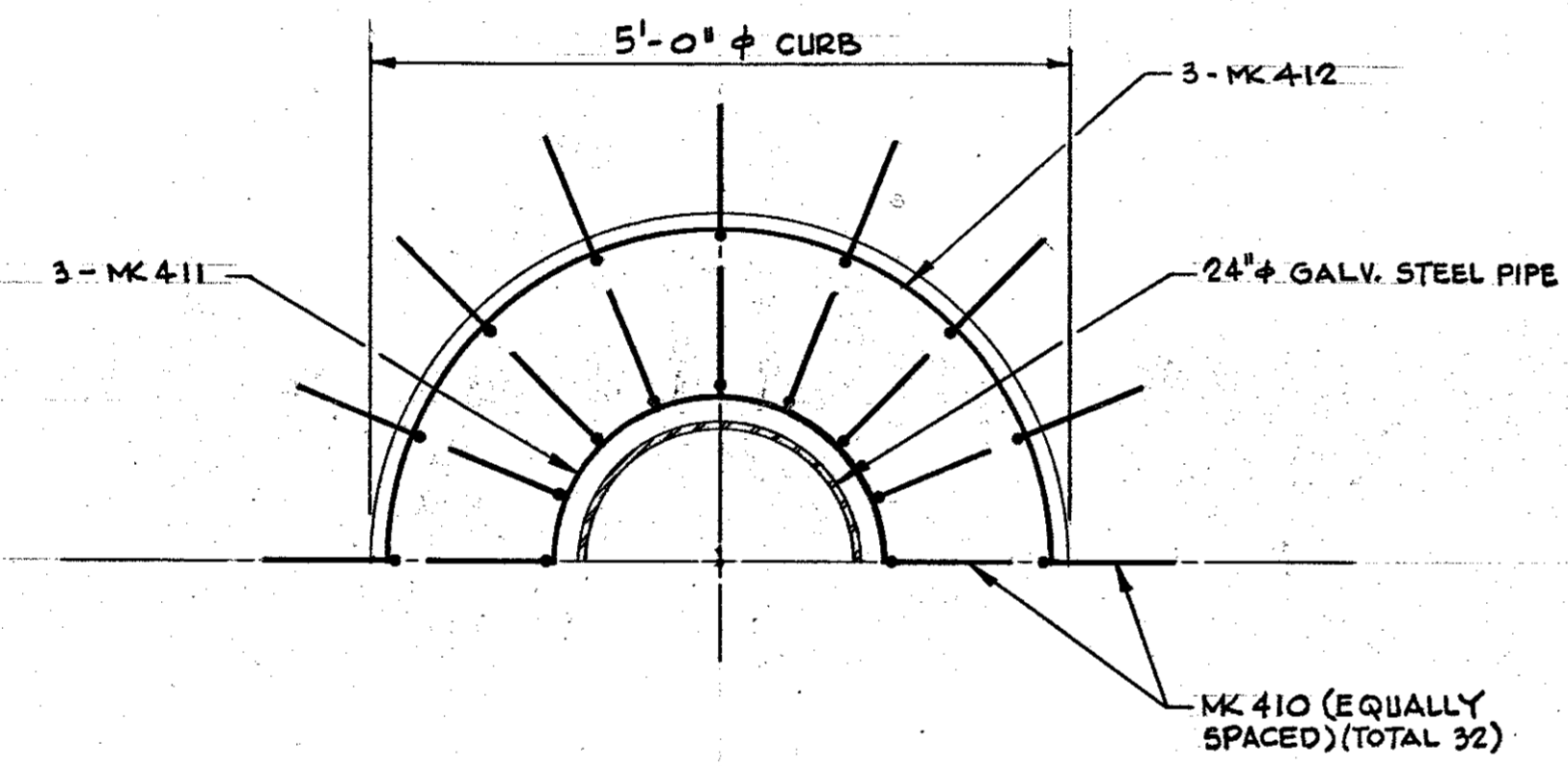


SECTION B-B (SECTION THRU COLUMN STRIP)  
(SECTION THRU COLUMN STRIP ON COLUMN LINE SHOWN. OTHER COLUMN STRIPS SIMILAR)



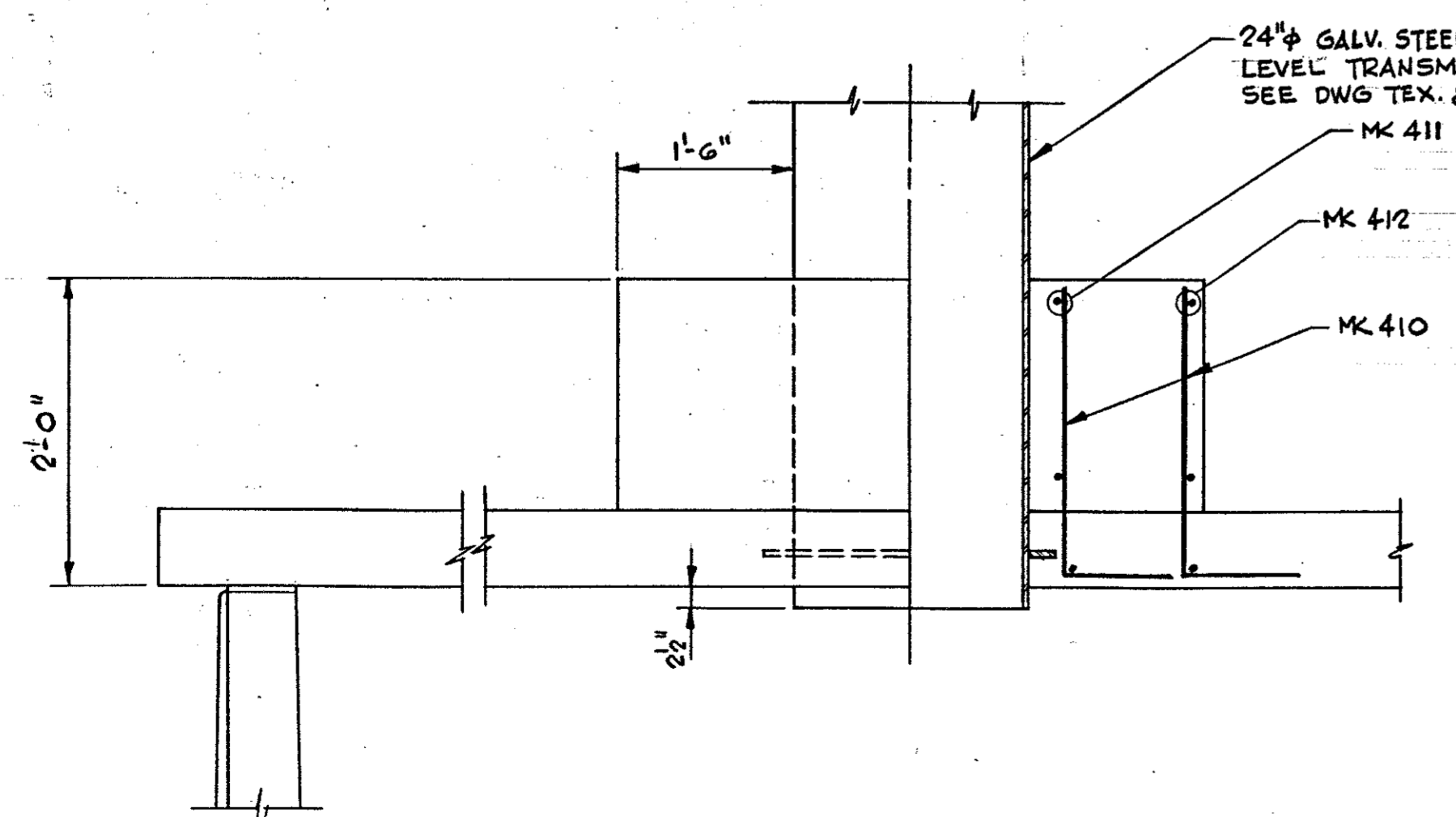
SECTION C-C (SECTION THRU MIDDLE STRIP)  
SECTION THRU MIDDLE STRIP ABOVE COLUMN CENTERLINE SHOWN.  
OTHER MIDDLE STRIPS SIMILAR.

NOTE:  
REINF. IN ALL LAYERS NOT SHOWN  
COMPLETELY FOR CLARITY

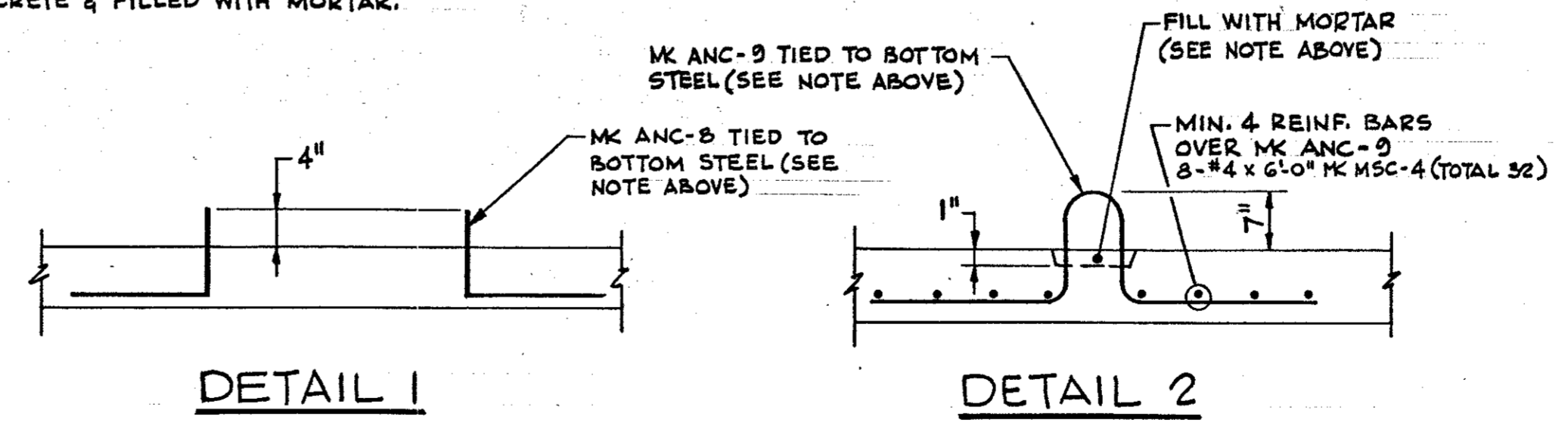


WIREWINDER CENTER PIN  
ANCHORAGE ARRANGEMENT

NOTE:  
MK ANC-8 & MK ANC-9 ARE FOR SUPPORT  
OF CENTER PIN OF WIREWINDER. AFTER  
COMPLETION OF WORK MK ANC-8 & ANC-9  
SHOULD BE CUT OFF TO 1" BELOW TOP OF  
CONCRETE & FILLED WITH MORTAR.



SONIC LEVEL TRANSMITTER DETAIL



DRAWN BY: [Signature]  
CHECKED BY: [Signature]

WORKING DRAWING

ONE G.O.M.G. GROUND STORAGE RESERVOIR  
ADDISON, TEXAS

ROOF SECTIONS

REVISIONS			
NO	DATE	DESCRIPTION	BY CKD



839 STEWART AVENUE, GARDEN CITY, NEW YORK, 11530  
THIS DRAWING IS THE PROPERTY OF THE PRELOAD COMPANY, INC. AND/OR  
PRELOAD TECHNOLOGY, INC. AND IS SUBJECT TO RETURN ON DEMAND. IT  
CONTAINS FEATURES OF DESIGN WHICH ARE FULLY COVERED BY PATENTS AND  
PATENTS PENDING AND COPYRIGHTS. IT IS SUBMITTED FOR USE ONLY IN  
CONNECTION WITH PROPOSALS OR CONTRACTS OF PRELOAD OR ITS LICEN-  
SEES, UPON THE EXPRESS CONDITION THAT IT MAY NOT BE USED ON ANY  
OTHER DIFFERENT PROJECTS WITHOUT PRIOR APPROVAL OF PRELOAD.

DRAWN: [Signature]	SCALE:	CONTRACT NUMBER: 86 PE 004
DESIGNED: RAO	APPROVED:	DRAWING NUMBER: 83-007-12
CHECKED: [Signature]	DATE: 4/24/86	