

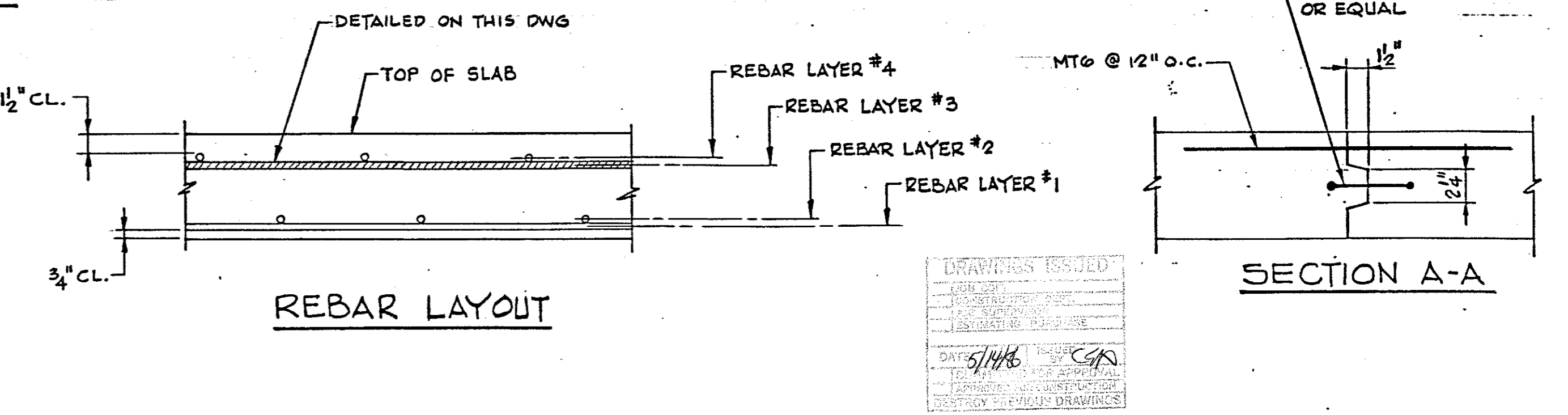
KEY PLAN

NOTE:
 COLUMNS A-3, A-5, A-7, C-1, C-9, E-1, E-9;
 G-1, G-9 & J-3, J-5 & J-7 ARE OFFSET FROM
 COLUMN E-5 SHOWN ABOVE.

ROOF SLAB GRID SCHEDULE (LAYER NO. 3)										
BUNDLE NO.	REIN. PER BUNDLE	NO. OF TOTAL BUNDLES	NO. OF TOTAL BARS	ORDER	BAR WEIGHT			LOCATION	SKETCH	
					#5	#4	#3			
CT2A	3 #5	14'-0"	14	44	45	657		LINE D & END BAYS LINE I, O, A & J		
CT5	10 #5	14'-0"	45	450	460	6717		INTERIOR BAYS		
CT6	9 #5	10'-4"	53	477	490	5279		INTERIOR BAYS & END BAYS OF I, O, A & J		
CT10	3 #5	20'-11"	11	33	35	764		LINE G, I D & 3D		
CT11	20 #5	14'-0"	4	36	84	1227		END BAY OF B & H @ 45°		
CT12	9 #5	14'-0"	8	72	76	1110		END BAYS OF LINE I, O, A & J		
CT13	8 #5	14'-0"	12	96	100	1460		LINE A, J, I & 2 INTERIOR BAYS		
CT14	8 #5	10'-4"	12	96	100	1078		LINE A, J, I & 2 INTERIOR BAYS		
MT2	11 #4	11'-1"	78	858	875	6476		INTERIOR BAYS		
MT5	3 #4	19'-6"	14	42	44	573		LINE G & LINE D ONLY		
MT6	260 #4	4'-0"	1	260	270	721		AT CONSTRUCTION JOINT		
MT7	136 #4	30'-0"	1	136	140	2806		CONT. CIRC. REINF.		
TOTAL WEIGHT					18292	10576				

PART ROOF FRAMING PLAN

- NOTES:**
1. REINFORCING STEEL TO CONFORM TO ASTM A615, GRADE 60.
 2. FOR HATCH, VENT & SONIC LEVEL TRANSMITTER DETAILS & ADD'L REINF. SEE DWG TEX. 83-007-12
 3. FOR INLET PIPE SEE DWG TEX. 83-007-6
 4. FOR TYP MIDDLE STRIP & COLUMN SECTIONS SEE DWG TEX. 83-007-12
 5. REINFORCING BARS DETAILED ON THIS DWG ARE FOR LAYER #3 (SEE REBAR LAYOUT, THIS DWG)
 6. FOR OTHER LAYERS SEE DWGS TEX. 83-007-8, -9 & 11
 7. REINF. MARKED WITH SUFFIX "A" TO BE PLACED NEAR THE E COLUMN.
 8. MK CT1, CT3, CT4, CT7, CT8 & CT9 NOT USED
MK MT1, MT3 & MT4 NOT USED



- FORMWORK NOTES:**
1. FORMWORK DESIGN AND RESHORING SHALL BE IN ACCORDANCE WITH ACI 347, LATEST EDITION.
 2. FORMS TO REMAIN UNTIL SLAB REACHES DESIGN STRENGTH BUT NOT LESS THAN 7 DAYS UNLESS RESHORING IS USED.
 3. SLABS BETWEEN CONSTRUCTION JOINT AND COLUMNS IS NOT DESIGNED FOR CANTILEVER ACTION. FORMWORK IN THIS AREA MUST REMAIN UNTIL ADJACENT SLAB IS CAST AND HAS ACHIEVED FULL STRENGTH.

REVISIONS			
NO	DATE	DESCRIPTION	BY CKD

PRELOAD

839 STEWART AVENUE, GARDEN CITY, NEW YORK, 11530

THIS DRAWING IS THE PROPERTY OF THE PRELOAD COMPANY, INC. AND/OR PRELOAD TECHNOLOGY, INC. AND IS SUBJECT TO RETURN ON DEMAND. IT CONTAINS FEATURES OF DESIGN WHICH ARE FULLY COVERED BY PATENTS AND PATENTS PENDING AND COPYRIGHTS. IT IS SUBMITTED FOR USE ONLY IN CONNECTION WITH PROPOSALS OR CONTRACTS OF PRELOAD OR ITS LICENSEES, UPON THE EXPRESS CONDITION THAT IT MAY NOT BE USED ON ANY OTHER DIFFERENT PROJECTS WITHOUT PRIOR APPROVAL OF PRELOAD.

WORKING DRAWING

ONE G.O.M.G. GROUND STORAGE RESERVOIR
 ADDISON, TEXAS
 ROOF SLAB REINFORCING
 LAYER NO. 3

CONTRACT NUMBER: 86PE 004
 DRAWING NUMBER: 83-007-10

DRAWN: E
 DESIGNED: ZAO
 CHECKED: PD

SCALE:
 APPROVED:
 DATE: 4/24/86