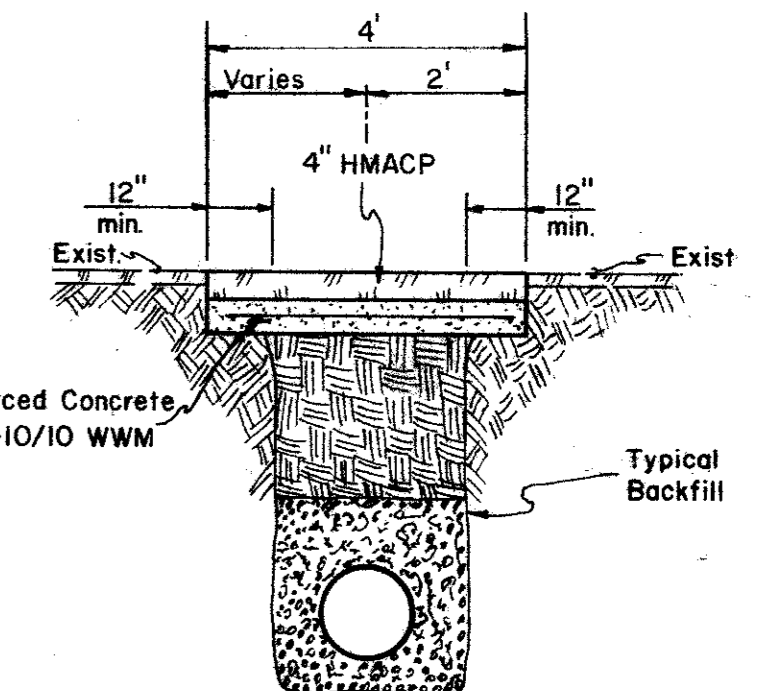
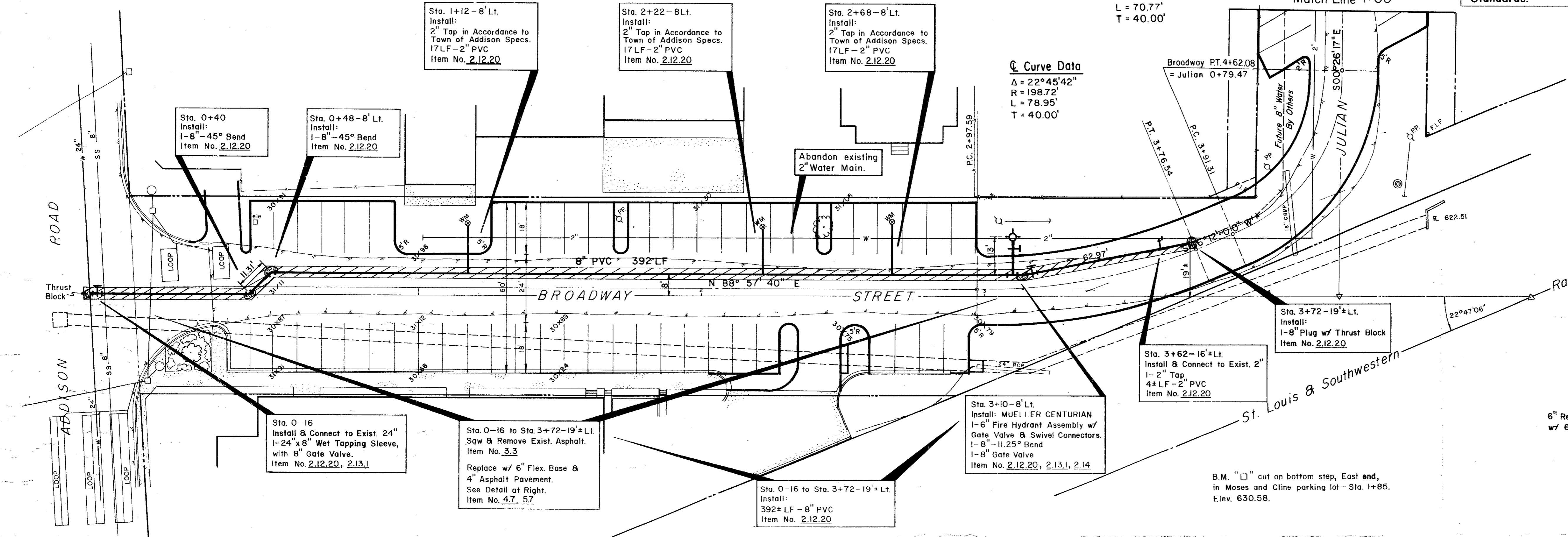


**NOTE:**  
Contractor Must Verify All Utilities, Especially Gas & Telephone, Prior To Excavation.

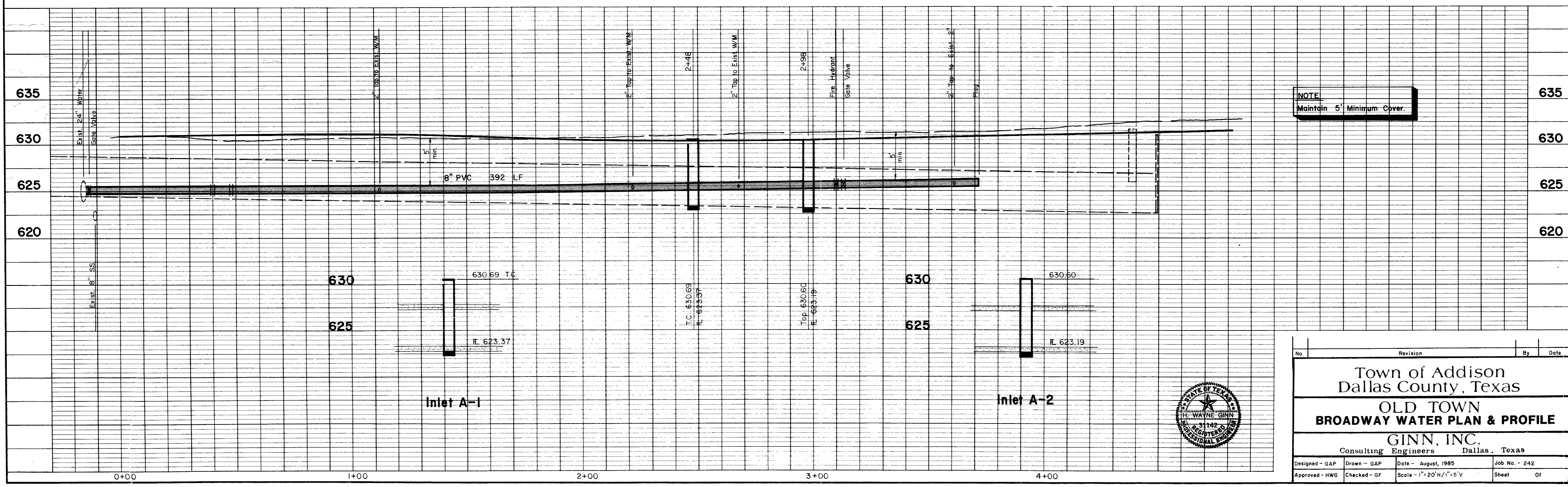
**NOTE:**  
Contractor Shall Construct This Project In Accordance To N.T.C.O.G. Specifications And The Town Of Addison Standards.

**Curve Data**  
Δ = 66°38'17"  
R = 60.85'  
L = 70.77'  
T = 40.00'

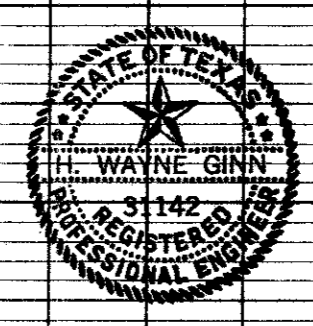
**Curve Data**  
Δ = 22°45'42"  
R = 198.72'  
L = 78.95'  
T = 40.00'



B.M. "□" cut on bottom step, East end, in Moses and Cline parking lot - Sta. 1+85. Elev. 630.58.



**NOTE:**  
Maintain 5' Minimum Cover.



No.	Revision	By	Date
Town of Addison Dallas County, Texas <b>OLD TOWN            BROADWAY WATER PLAN &amp; PROFILE</b> GINN, INC. Consulting Engineers, Dallas, Texas			
Designed - GAP	Drawn - GAP	Date - August, 1985	Job No. - 242
Approved - HWG	Checked - GF	Scale - 1"=20'H/1"=5'V	Sheet Of