

!! WARNING !!

EXISTING UTILITIES IN OR NEAR CONSTRUCTION WORK AREA ARE SHOWN IN THEIR APPROXIMATE LOCATIONS. CONTRACTOR SHALL CONTACT THE FOLLOWING COMPANIES TO DETERMINE ACTUAL FIELD LOCATIONS PRIOR TO CONSTRUCTION.

TOWN OF ADDISON (WATER,SEWER)	450-2840
LONE STAR GAS	263-DIGG
SOUTHWESTERN BELL	234-7084
T.U. ELECTRIC	323-8907
STORER CABLE	647-5711

BENCHMARKS:

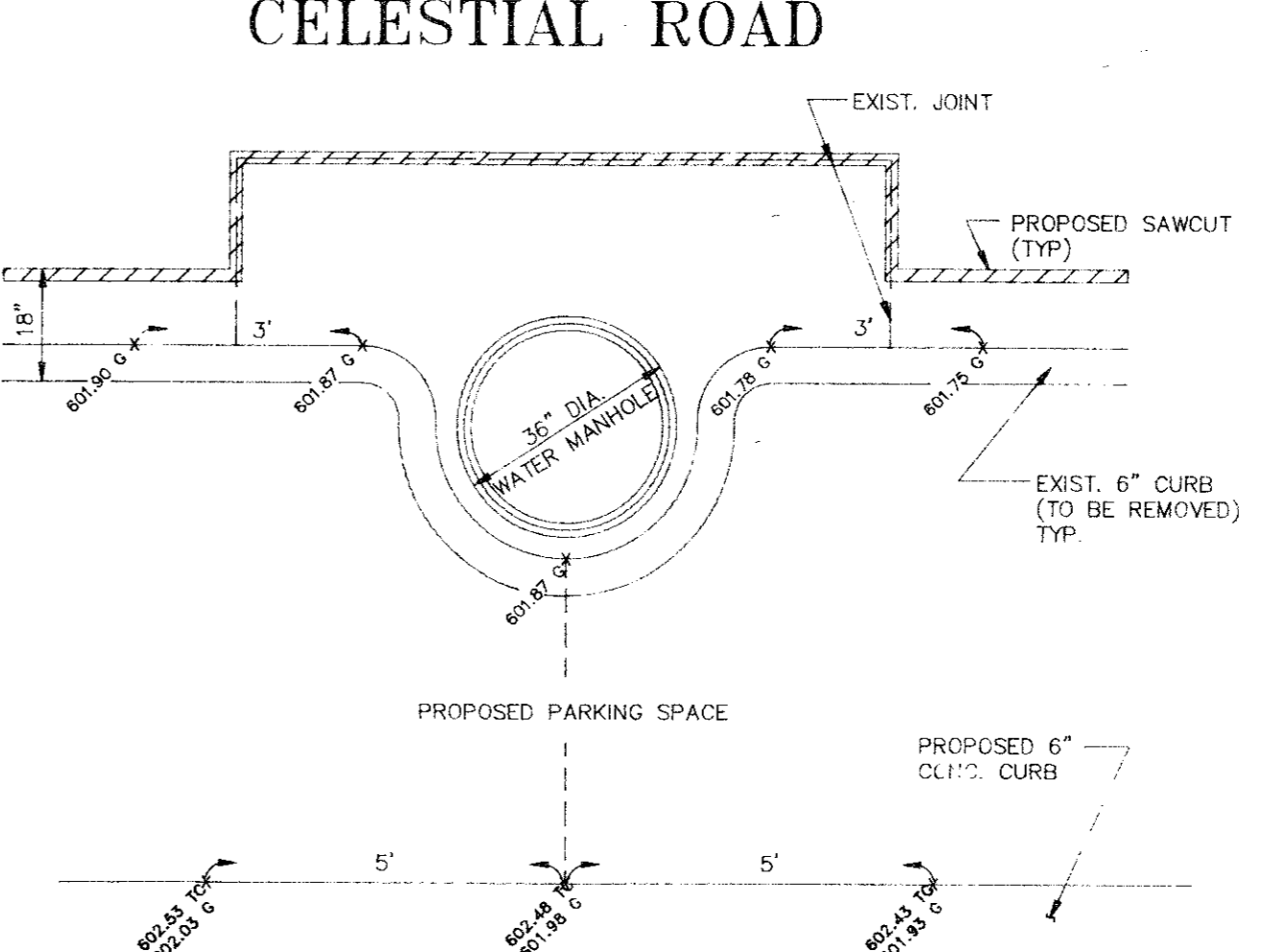
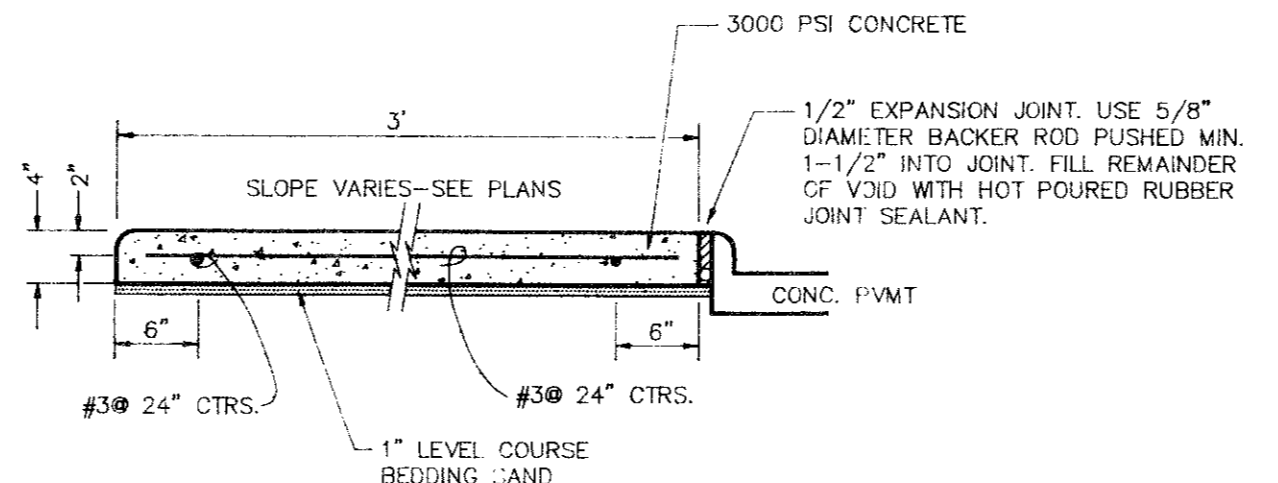
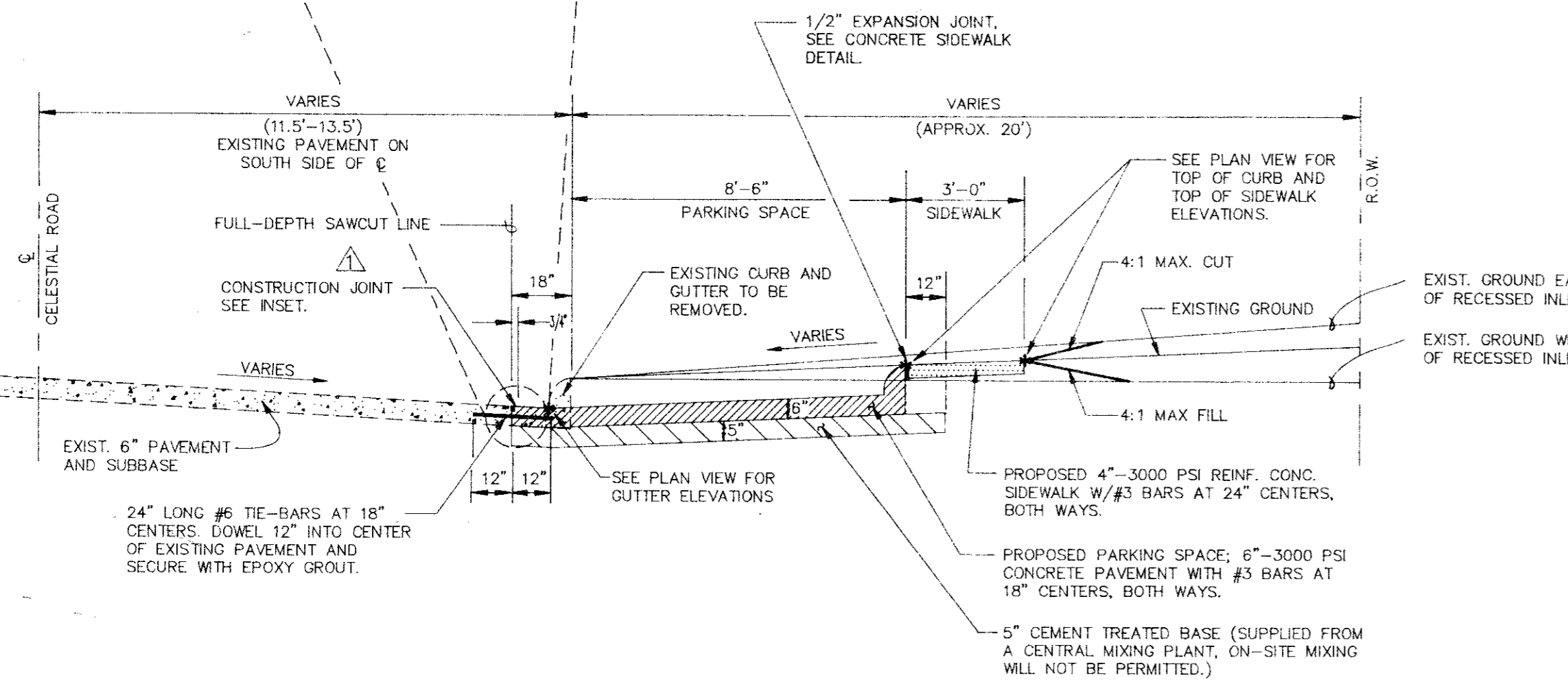
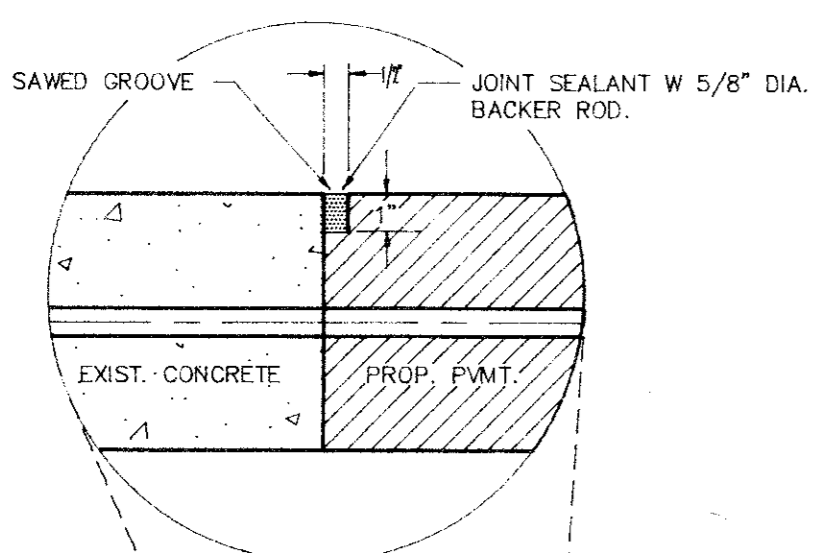
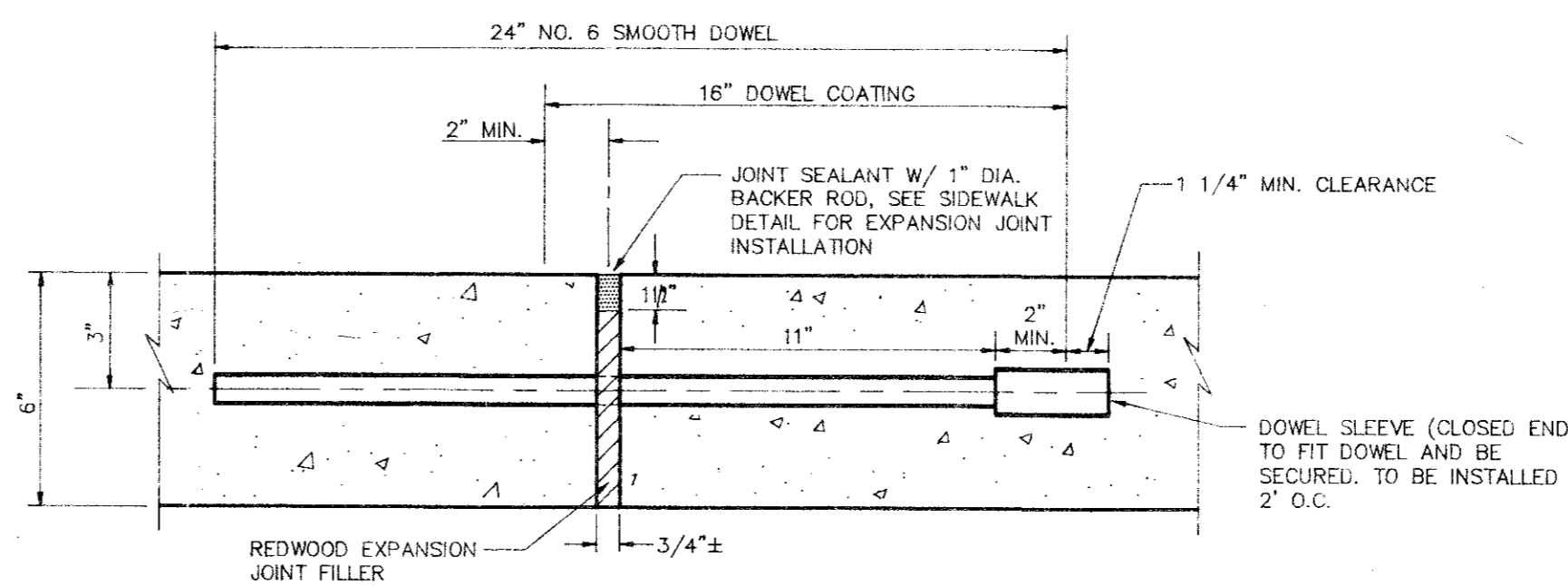
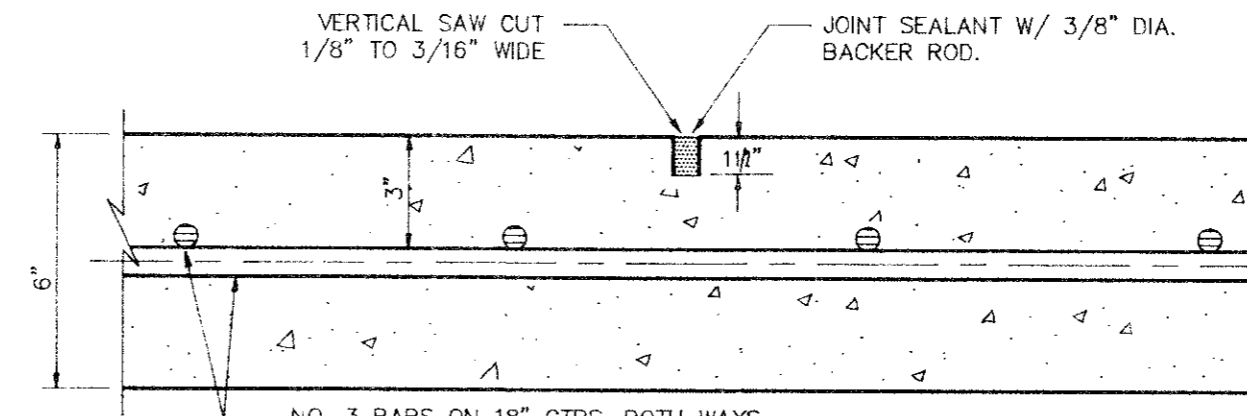
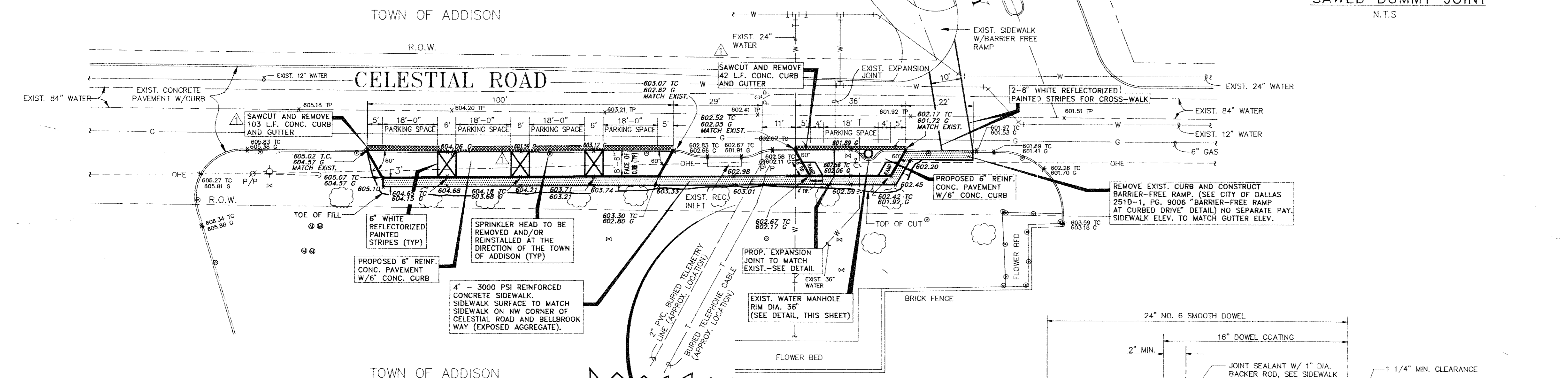
- B.M. #6 R.R. SPIKE END IN A P.P. ON THE SOUTH SIDE OF CELESTIAL ROAD 400± EAST OF THE SOUTHWEST PROP. COR. FIRST POLE WEST OF BELLBROOK DR. ELEV. 603.63
- B.M. #11 SET IN THE NORTH RIM OF A SAN. SEW 5' SOUTH OF THE SOUTH CURB LINE OF BELLBROOK WAY. NEAR THE NORTH EAST CORNER OF LOT 12 OF BELLBROOK ESTATES. ELEV. 567.70

LEGEND

- SPRINKLER HEAD
- WATER VALVE
- FIRE HYDRANT
- WATER METER
- EXISTING TREE
- POWER POLE
- OVERHEAD ELECTRIC LINE
- GUY ANCHOR AND ANCHOR
- GAS LINE
- WATER LINE
- TELEPHONE LINE
- HANDICAP PARKING SPACE MARKER
- EXIST. SPOT ELEVATION
- PROPOSED SPOT ELEVATION

GENERAL NOTES

1. ALL CONSTRUCTION SHALL CONFORM TO THE NORTH CENTRAL TEXAS COUNCIL OF GOVERNMENTS (NCTCOG) SPECIFICATIONS AND TOWN OF ADDISON STANDARDS AND SPECIFICATIONS, EXCEPT AS NOTED.
2. ALL LOCATIONS OF UNDERGROUND UTILITY LINES SHOWN ON THE PLANS ARE APPROXIMATE. CONTRACTOR SHALL NOTIFY ALL APPLICABLE UTILITY COMPANIES 48 HOURS PRIOR TO CONSTRUCTION SO THAT UNDERGROUND LINES CAN BE MARKED.
3. VERIFY LOCATIONS OF UNDERGROUND ELECTRIC, TELEPHONE AND IRRIGATION SYSTEM FACILITIES PRIOR TO BEGINNING EXCAVATION. IF NECESSARY, DIG TEST DITCHES TO DETERMINE ACTUAL FIELD CONDITIONS.
4. THE CONTRACTOR SHALL NOT PLACE FILL OR WASTE MATERIAL ON ANY PRIVATE PROPERTY WITHOUT A PRIOR WRITTEN AGREEMENT WITH THE PROPERTY OWNER. IF THE CONTRACTOR PLACES EXCESS MATERIAL IN AREAS WITHOUT WRITTEN PERMISSION, HE WILL BE RESPONSIBLE FOR ALL DAMAGE RESULTING FROM SUCH FILL AND HE SHALL REMOVE THE MATERIAL AT HIS OWN EXPENSE.
5. NO TREES SHALL BE CUT.
6. THE CONTRACTOR SHALL BE RESPONSIBLE FOR PUBLIC SAFETY DURING CONSTRUCTION AND WILL PROVIDE THE NECESSARY TRAFFIC BARRICADES AND WARNING SIGNAGE TO PROTECT THE CONSTRUCTION SITE. ALL BARRICADES, WARNING SIGNS, LIGHTS, DEVICES, ETC. FOR THE GUIDANCE AND PROTECTION OF TRAFFIC AND PEDESTRIANS MUST CONFORM TO THE 1990 TEXAS MANUAL OF UNIFORM TRAFFIC CONTROL DEVICES, AS CURRENTLY AMENDED, BY THE TEXAS STATE DEPARTMENT OF HIGHWAYS AND PUBLIC TRANSPORTATION.
7. ALL CONCRETE SHALL HAVE A MINIMUM COMPRESSIVE STRENGTH OF 3,000 PSI AT 28 DAYS, UNLESS OTHERWISE NOTED.
8. ALL REINFORCING STEEL AND DOWEL BARS IN PAVEMENT SHALL BE SUPPORTED AND MAINTAINED AT THE CORRECT CLEARANCES BY THE USE OF BAK CHAIRS OR OTHER APPROVED SUPPORT.
9. THE CONTRACTOR IS RESPONSIBLE FOR KEEPING STREETS AND SIDEWALKS ADJACENT TO THE PROJECT FREE OF MUD AND DEBRIS FROM THE CONSTRUCTION.
10. HAND FINISHING OF CONCRETE PAVEMENT SHALL NOT BE A SEPARATE PAY ITEM ON THIS PROJECT.
11. THE CONTRACTOR SHALL MAINTAIN ADEQUATE SANITARY FACILITIES FOR USE BY THE WORKERS THROUGHOUT CONSTRUCTION.
12. NO PERSON SHALL OPEN, TURN OFF, INTERFERE WITH, ATTACH ANY PIPE OR HOSE TO OR TAP ANY WATER MAIN BELONGING TO THE TOWN UNLESS DULY AUTHORIZED TO DO SO BY THE TOWN OF ADDISON WATER DEPARTMENT (450-2879). ARRANGEMENTS FOR CONSTRUCTION WATER SHALL BE MADE THROUGH THE TOWN OF ADDISON.
13. ALL PAVING TO BE REMOVED SHALL BE SAWCUT (FULL DEPTH) TO A NEAT LINE AND THEN REMOVED.
14. NO TRAFFIC SIGNS ARE TO BE RELOCATED OR REMOVED WITHOUT PRIOR APPROVAL BY THE TOWN.
15. THE CONTRACTOR SHALL OBTAIN ALL NECESSARY PERMITS AT LEAST 48 HOURS PRIOR TO START OF ANY CONSTRUCTION. NO FEES WILL BE REQUIRED BY THE TOWN OF ADDISON.
16. LOCATIONS OF SPRINKLER HEADS, VALVES AND OTHER IRRIGATION SYSTEM APPURTENANCES ARE APPROXIMATE. CONTRACTOR SHALL REMOVE AND/OR RELOCATE SUCH ITEMS AS REQUIRED FOR ADEQUATE IRRIGATION SYSTEM COVERAGE AND AS DIRECTED BY THE TOWN OF ADDISON.
17. ALL UTILITIES (i.e. VALVE BOXES, METER BOXES) LOCATED UNDER THE PROPOSED PAVEMENT SHALL BE RAISED OR LOWERED AS REQUIRED AND RESET TO MATCH PROPOSED ELEVATION (NO SEPARATE ITEM).
18. CONTRACTOR SHALL GRADE FROM PROPOSED TOP OF CURB TO MATCH EXISTING GROUND, AT 4 (HORIZONTAL) TO 1 (VERTICAL) GRADE.
19. CONTRACTOR SHALL INSURE POSITIVE SURFACE DRAINAGE RESULTS FROM ALL GRADING WORK.
20. CONTRACTOR SHALL TAKE ALL NECESSARY PRECAUTIONS TO PROTECT EXISTING FACILITIES FROM DAMAGE. ANY DAMAGE TO EXISTING FACILITIES RESULTING FROM CONSTRUCTION WORK SHALL BE REPAIRED AT THE CONTRACTOR'S EXPENSE.



REVISION	BY	DATE
1	REVISOR	7-14-92
2	REVISOR	7-14-92

DESIGNED BY: T. LEIBHAM
 DRAWN BY: C. PARKER
 CHECKED BY: B. GRANTHAM
 SCALE: 1" = 20'
 DATE: JUNE 1992
 ACADFILE: C:\CELESTIAL\SH1.DWG

ESPEY, HUSTON & ASSOCIATES, INC.
Engineering & Environmental Consultants
 13800 Montfort Drive Suite 230 Dallas, Texas 75240
 (214) 387-0771

**CELESTIAL PARK
 PARKING IMPROVEMENTS**
 TOWN OF ADDISON, TEXAS

SHEET NO. 1
 OF 1 SHEETS
 JOB NO. 14187