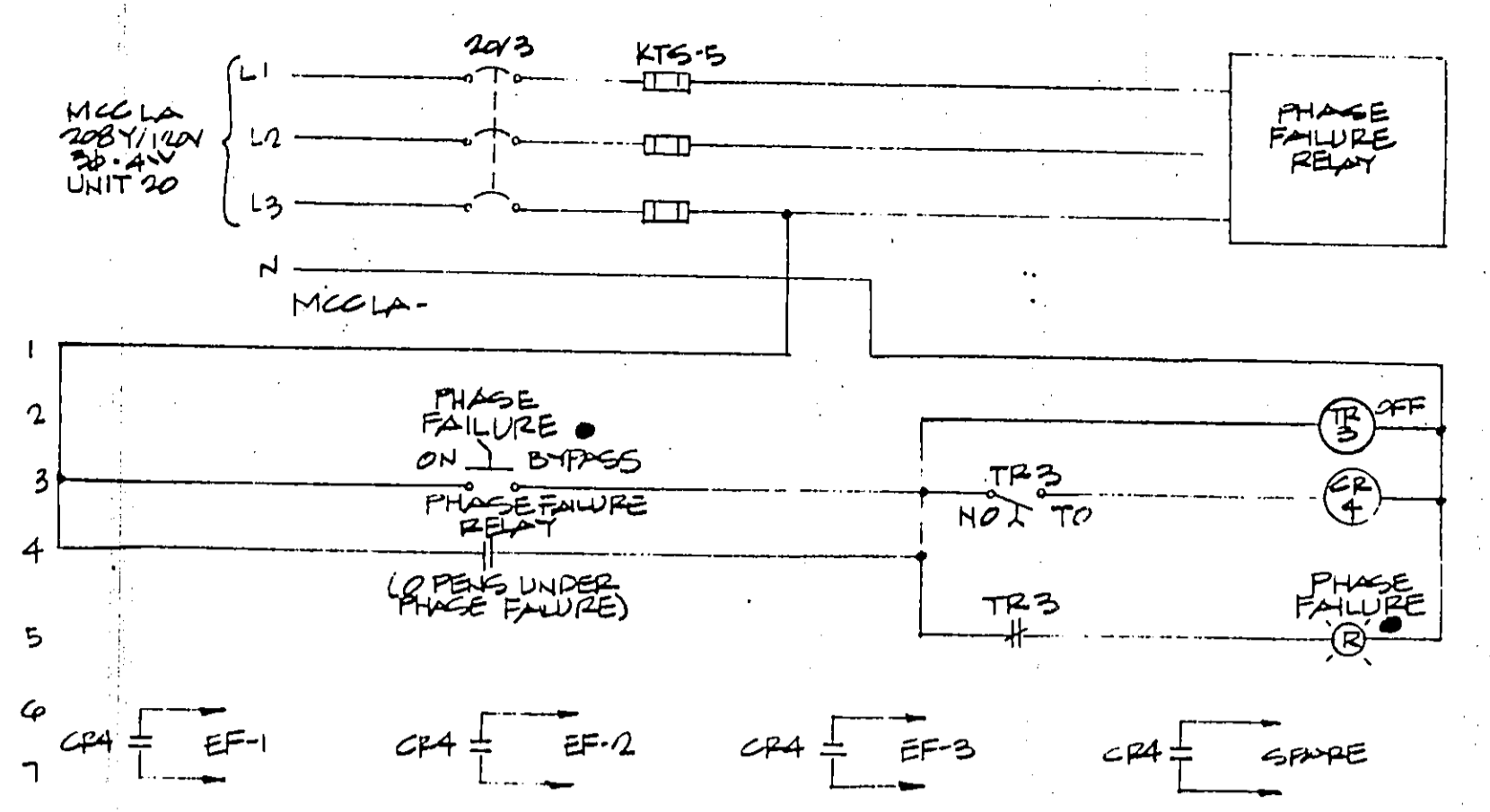
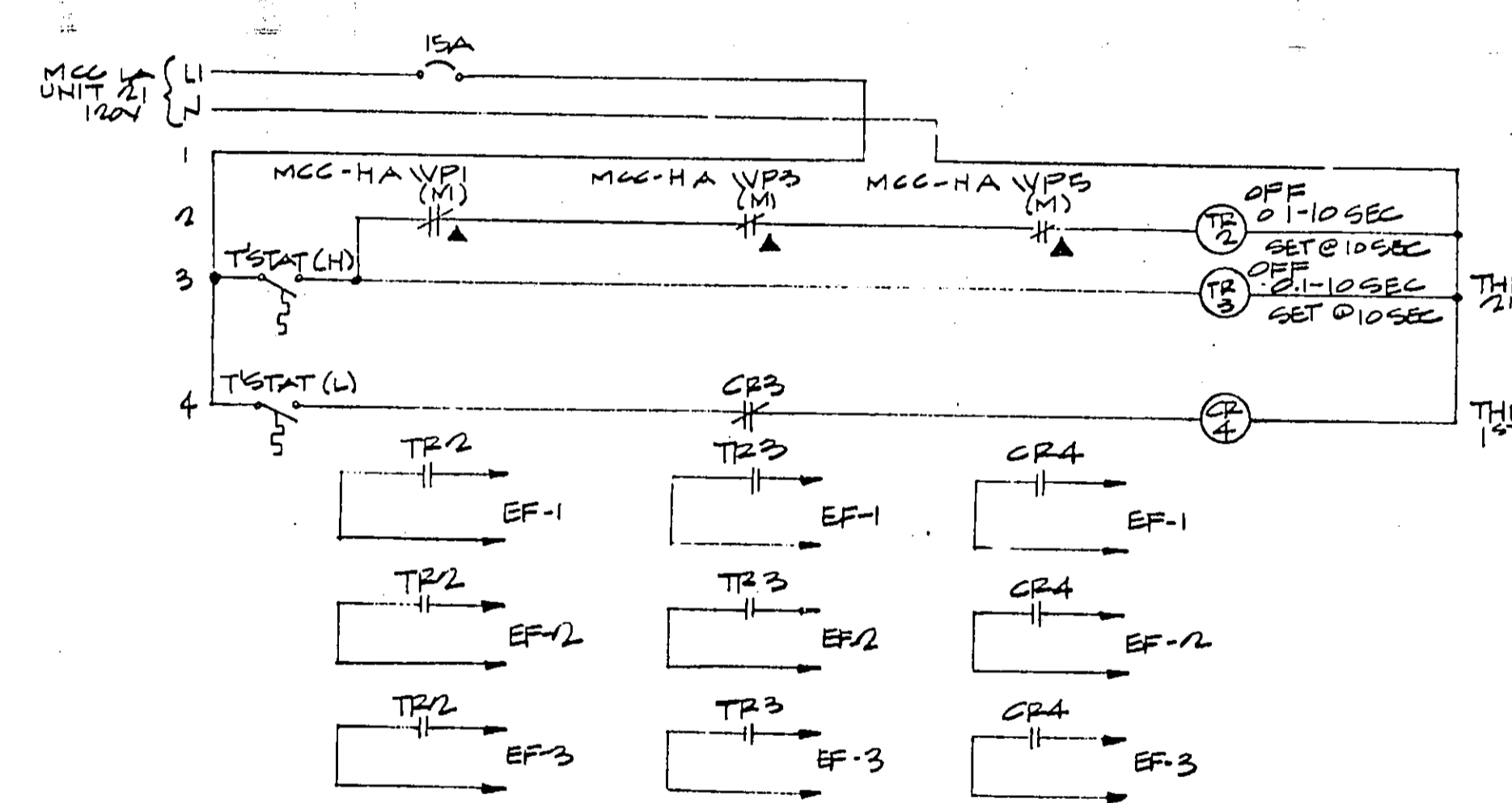


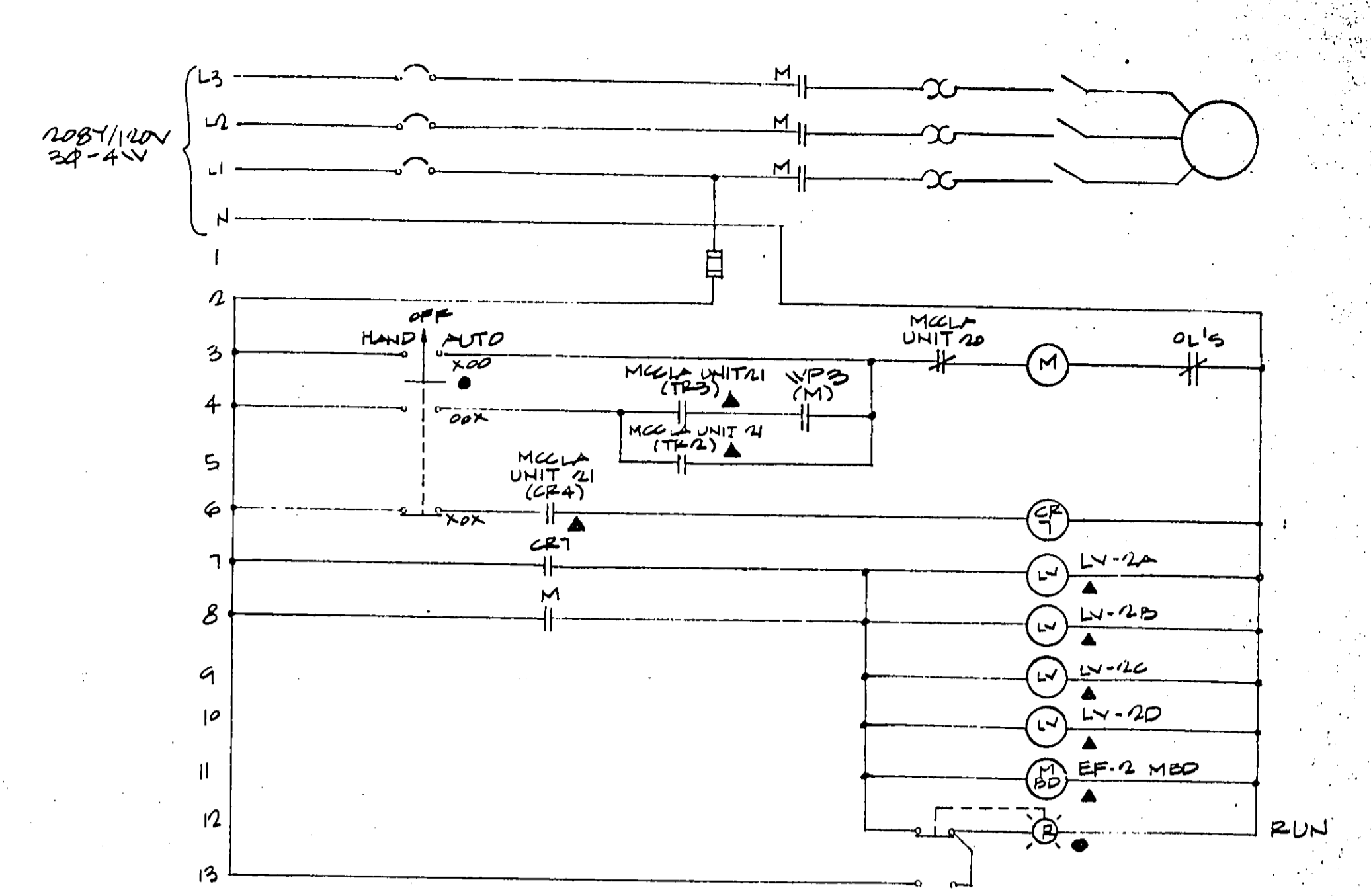
1 CONTROL SCHEMATIC-WP1, WP2, WP3



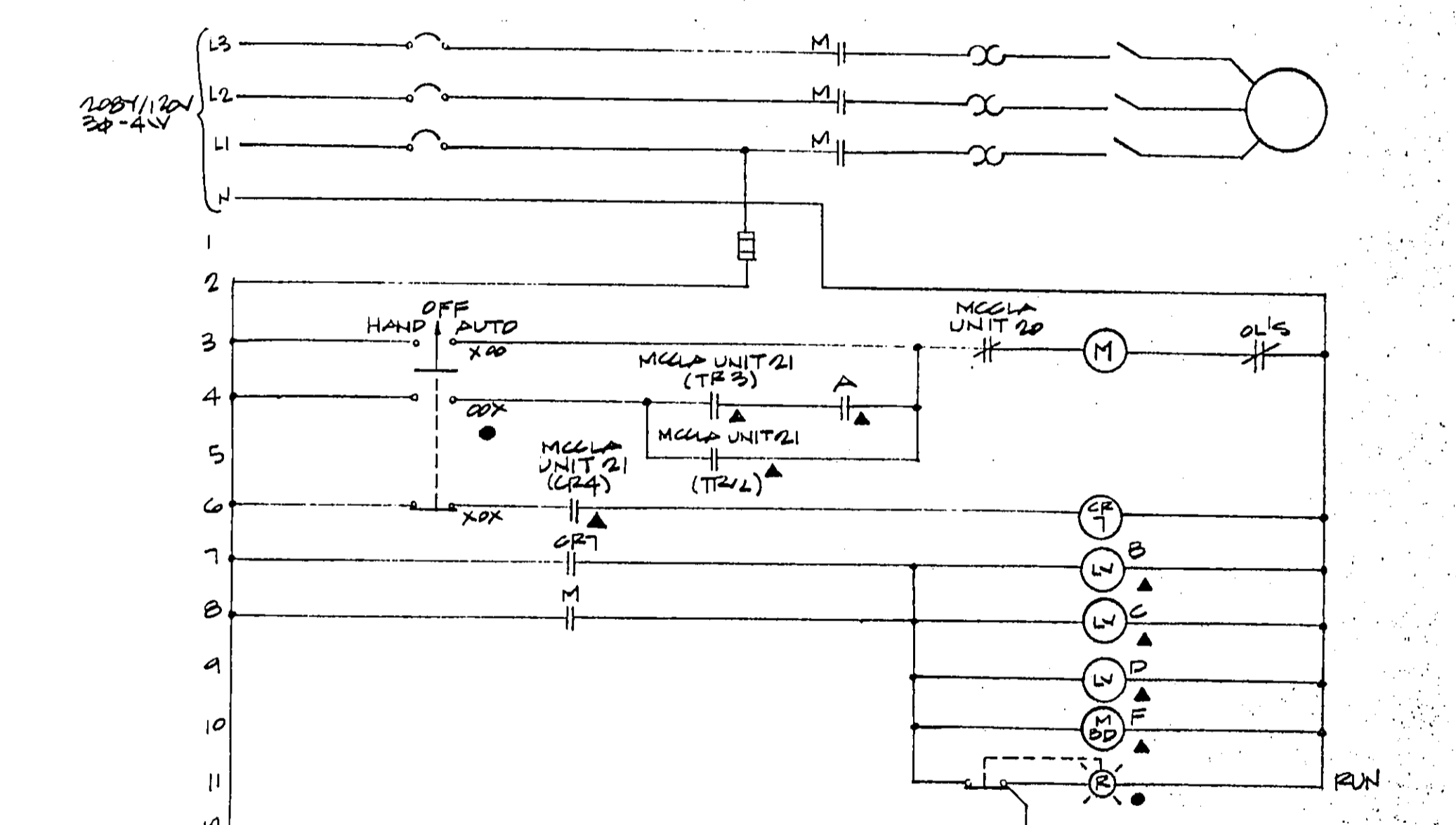
2 CONTROL SCHEMATIC-PHASE FAILURE RELAY



3 CONTROL SCHEMATIC-PUMP ROOM VENTILATION CONTROL

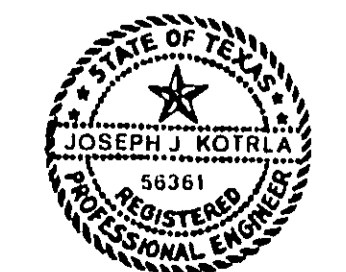


4 CONTROL SCHEMATIC-EF-2



5 CONTROL SCHEMATIC-EF-1 & EF-3

RELAY	A	B	C	D	F
EF-1	VPS (M)	LV-2A	LV-1B	LV-1C	EF1-MBD
EF-3	VPS (M)	LV-2A	LV-2B	LV-2C	EF3-MBD



No.	Revision	By	Date
TOWN OF ADDISON DALLAS COUNTY, TEXAS <b>CELESTIAL ROAD PUMP STATION</b>			
CHARLES R. MACCREARY & ASSOCIATES CONSULTING ENGINEERS SUITE 217 8200 LBJ FRYWAY DALLAS, TEXAS 75240		ELECTRICAL CONTROL SCHEMATICS	
<b>GINN, INC.</b> Consulting Engineers Dallas, Texas			
Designed - JK	Drawn - JW	Date -	Job No. -
Approved -	Checked -	Scale -	Sheet E3 of E12