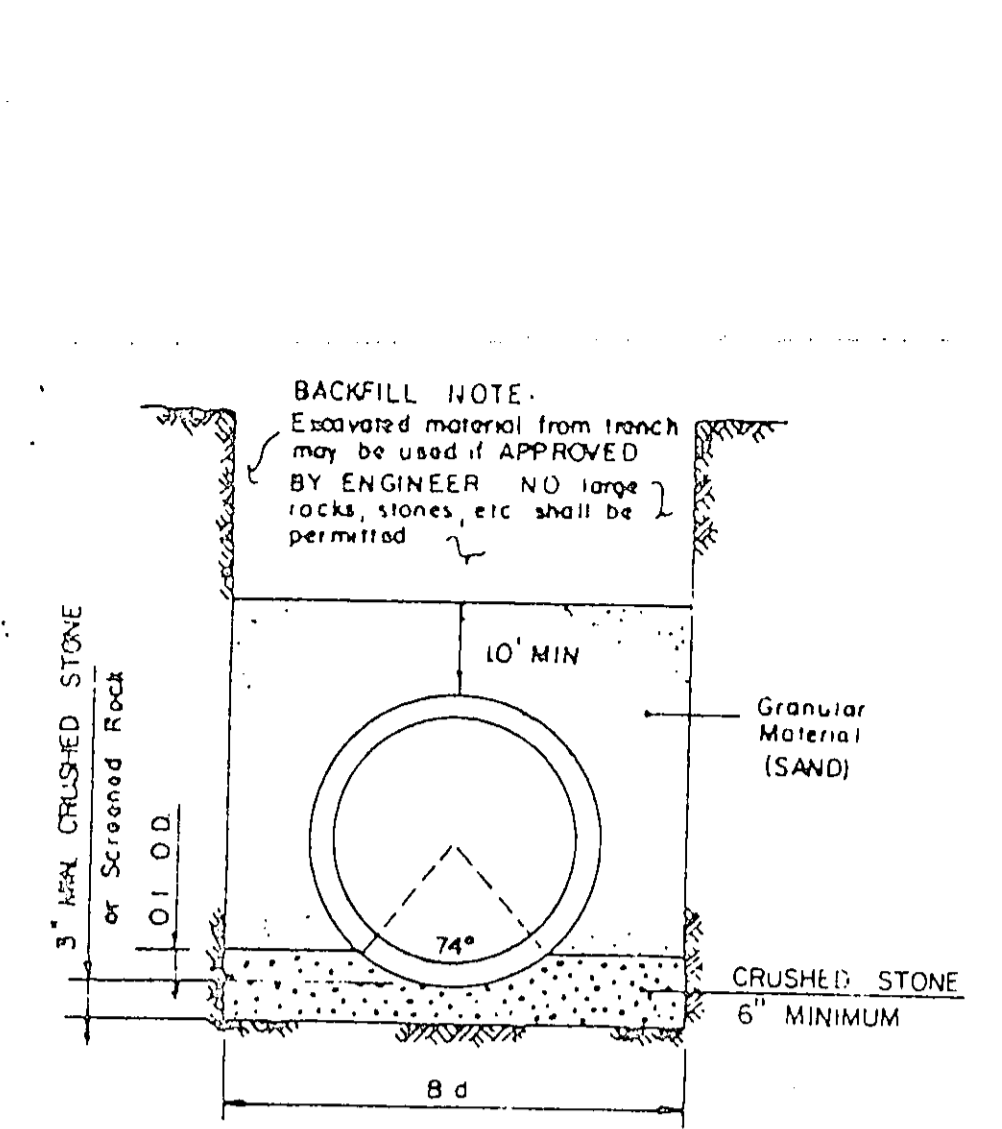
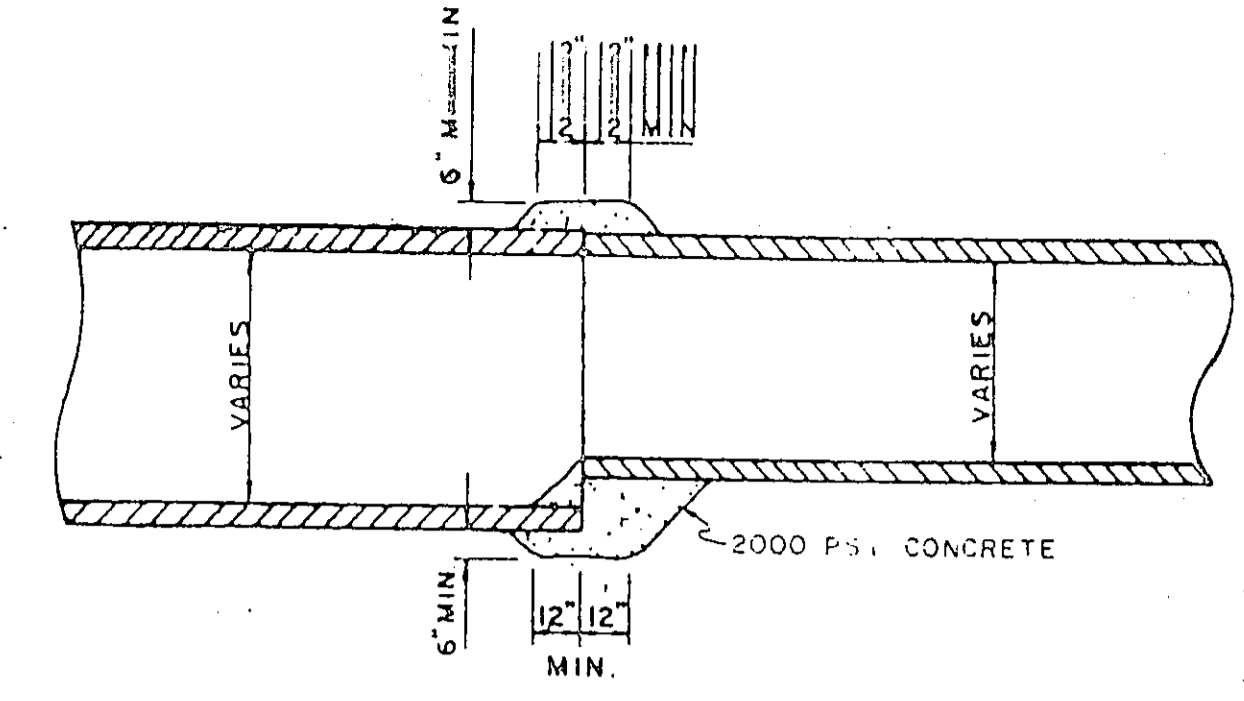


PLAN - STANDARD INLET

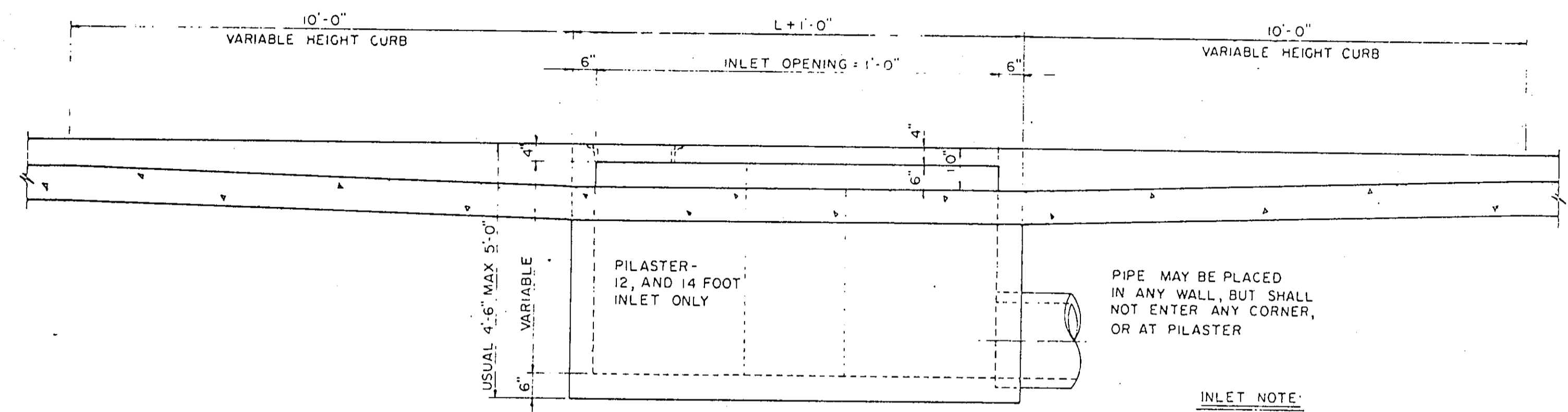
STORM SEWER EMBEDMENT					
PIPE DIAM.	I.D.	O.D.	Dd	CU. YDS. PER 100 LF.	
				STONE	GRANULAR MATERIAL
15"	19"	39"	4.53	22.28	
18"	22.5"	42"	5.13	25.15	
21"	26"	45"	5.76	28.03	
24"	29.5"	48"	6.42	30.94	
27"	33"	51"	7.11	33.86	
30"	37"	54"	7.85	36.72	
33"	40.5"	57"	8.59	39.64	
36"	44"	60"	9.36	42.58	
39"	47.5"	63"	10.16	45.53	
42"	51"	66"	10.99	48.51	
48"	58"	72"	12.72	54.51	
54"	65"	78"	14.57	60.37	
60"	72"	84"	16.53	65.71	
66"	79"	90"	18.60	72.92	
72"	86"	96"	20.79	79.19	
78"	93"	102"	23.08	85.53	
84"	100"	108"	25.49	91.95	
90"	108.5"	115"	28.47	99.02	
96"	114"	120"	30.64	104.98	
102"	122.5"	129"	34.66	141	



STORM SEWER EMBEDMENT

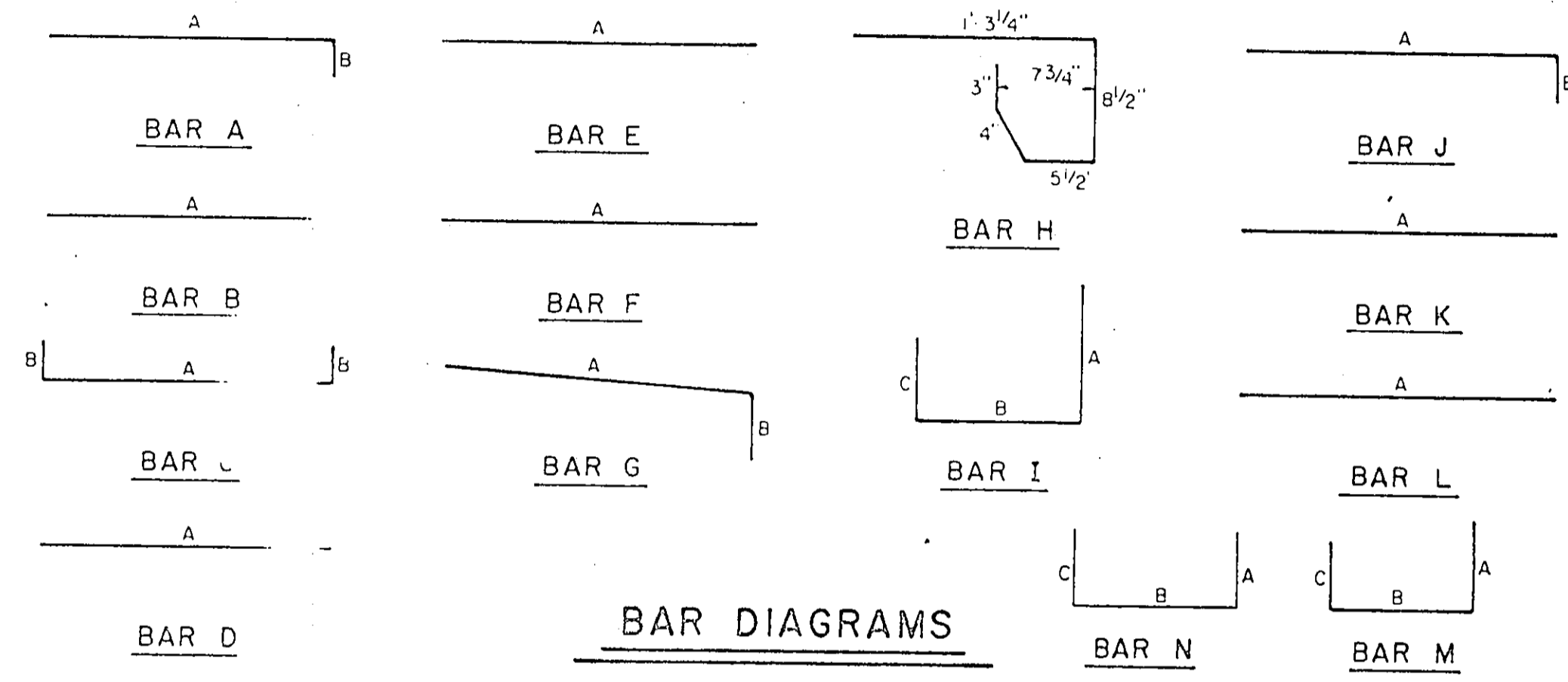


DETAIL OF CONCRETE COLLAR FOR PIPE CONNECTIONS



4, 6, 8, 10, 12, AND 14 FOOT INLETS

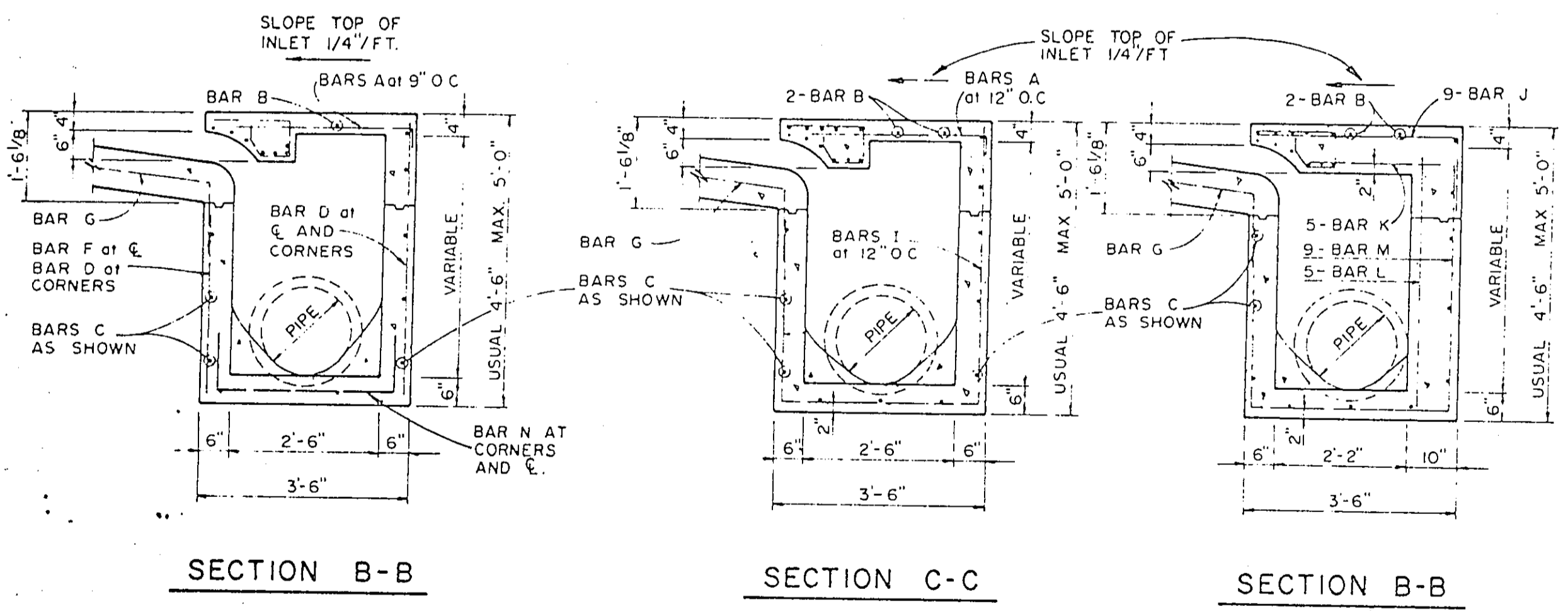
INLET NOTE: WHERE INLETS ARE INDICATED TO BE MODIFIED, REFER TO PLAN/PROFILE SHEETS FOR ELEV. DIFFERENT SIZES ON MODIFICATIONS. ALL OTHER ITEMS SHALL REMAIN AS SHOWN ON THIS STANDARD DETAIL SHEET.



BAR DIAGRAMS

REINFORCING STEEL SCHEDULE

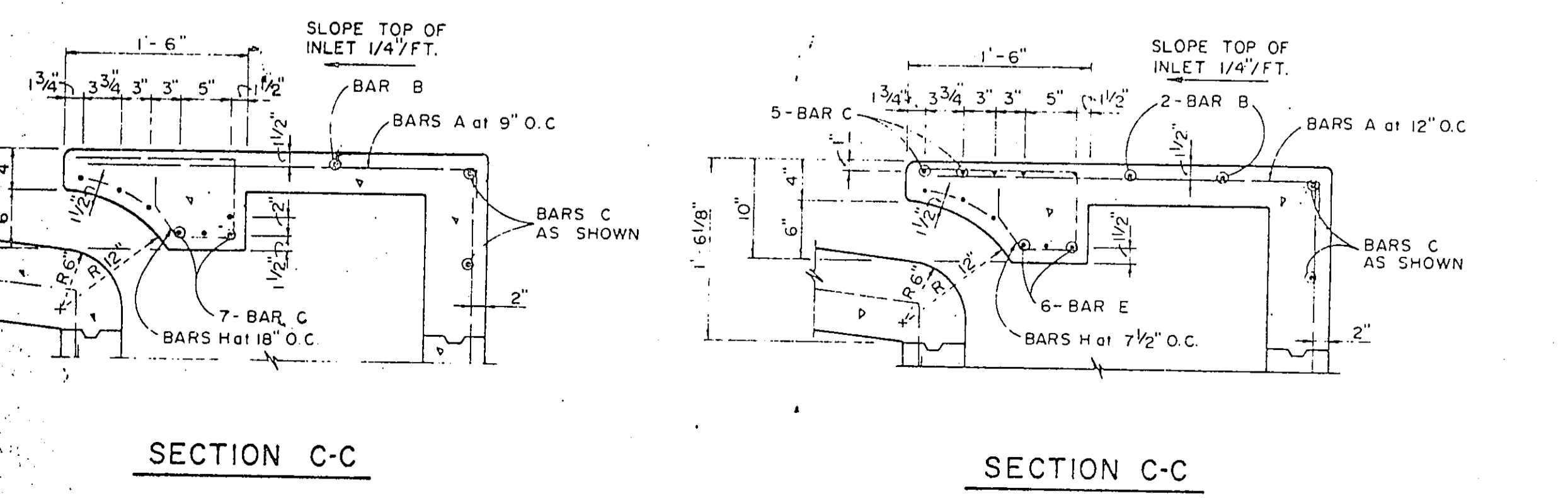
DIMENSIONS SHOWN ARE FOR MAXIMUM SIZE INLETS						
INLET LENGTH	BAR TYPE	BAR DIA (1/8 IN)	NO. REQ'D	BAR DIMENSIONS		
				A	B	C
4	A	3	6	3'-2"	0'-3"	-
	B	3	1	2'-10"	-	-
	C	4	15	4'-8"	0'-6"	-
	D	4	5	4'-8"	-	-
	F	4	1	3'-2"	-	-
	G	3	5	2'-0"	1'-3"	-
	H	3	3	*	*	*
	N	3	3	3'-2"	3'-2"	3'-2"
6	A	3	9	3'-2"	0'-3"	-
	B	3	1	4'-10"	-	-
	C	4	15	6'-8"	0'-6"	-
	D	4	5	4'-8"	-	-
	F	4	1	3'-2"	-	-
	G	3	5	2'-0"	1'-3"	-
	H	3	3	*	*	*
	N	3	3	3'-2"	3'-2"	3'-2"
8	A	3	12	3'-2"	0'-3"	-
	B	3	1	6'-10"	-	-
	C	4	15	8'-8"	0'-6"	-
	D	4	5	4'-8"	-	-
	F	4	1	3'-2"	-	-
	G	3	5	2'-0"	1'-3"	-
	H	3	4	*	*	*
	N	3	3	3'-2"	3'-2"	3'-2"
10	A	3	10	3'-2"	0'-3"	-
	B	3	2	8'-10"	-	-
	C	4	16	10'-8"	0'-6"	-
	D	4	4	4'-8"	-	-
	E	5	6	10'-8"	-	-
	G	3	5	2'-0"	1'-3"	-
	H	3	15	*	*	*
	I	4	8	4'-8"	3'-2"	3'-2"
	L	4	5	4'-3"	-	-
12	A	3	12	3'-2"	0'-3"	-
	B	3	2	10'-10"	-	-
	C	4	16	12'-8"	0'-6"	-
	D	4	4	4'-8"	-	-
	E	5	6	12'-8"	-	-
	G	3	5	2'-0"	1'-3"	-
	H	3	18	*	*	*
	I	4	10	4'-8"	3'-2"	3'-2"
	J	5	9	3'-2"	1'-3"	-
	K	4	5	2'-3"	-	-
	L	4	5	4'-3"	-	-
14	M	5	9	4'-3"	3'-2"	3'-9"
	A	3	14	3'-2"	0'-3"	-
	B	3	2	10'-10"	-	-
	C	4	16	14'-8"	0'-6"	-
	D	4	4	4'-8"	-	-
	E	5	6	14'-8"	-	-
	G	3	5	2'-0"	1'-3"	-
	H	3	21	*	*	*
	I	4	12	4'-8"	3'-2"	3'-2"
	J	5	9	3'-2"	1'-3"	-
	K	4	5	2'-3"	-	-
	L	4	5	4'-3"	-	-
	M	5	9	4'-3"	3'-2"	3'-9"



SECTION B-B

SECTION C-C

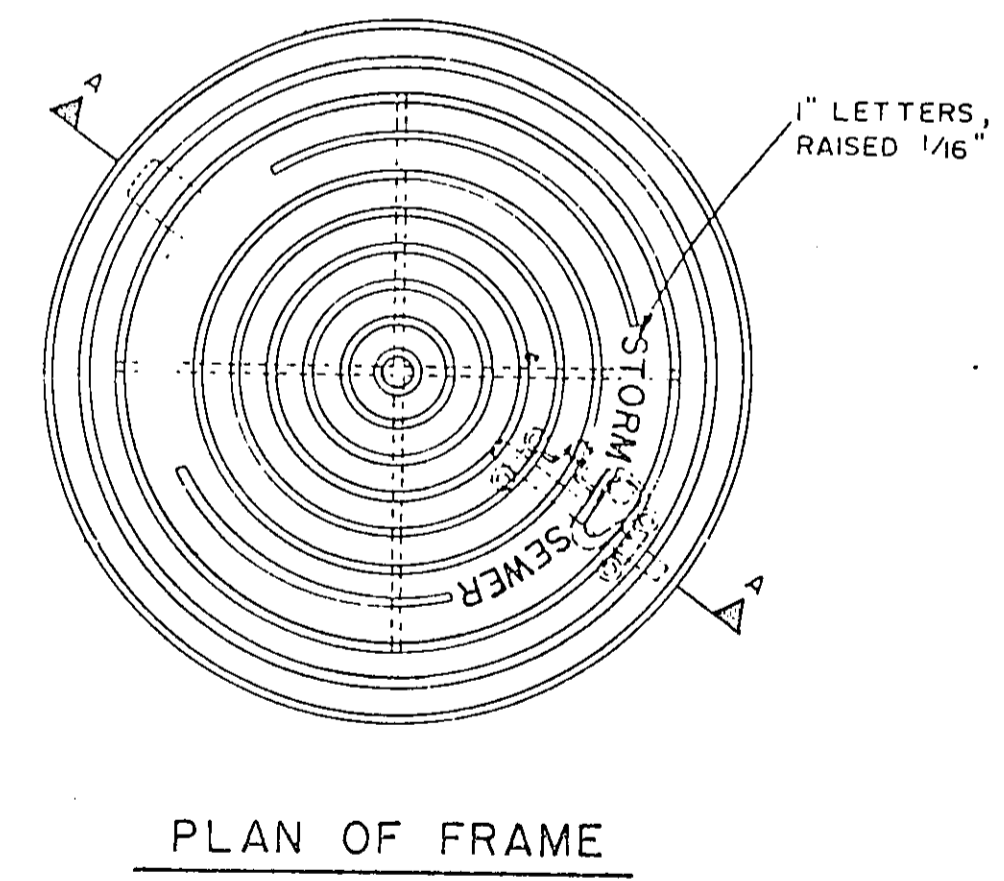
SECTION B-B



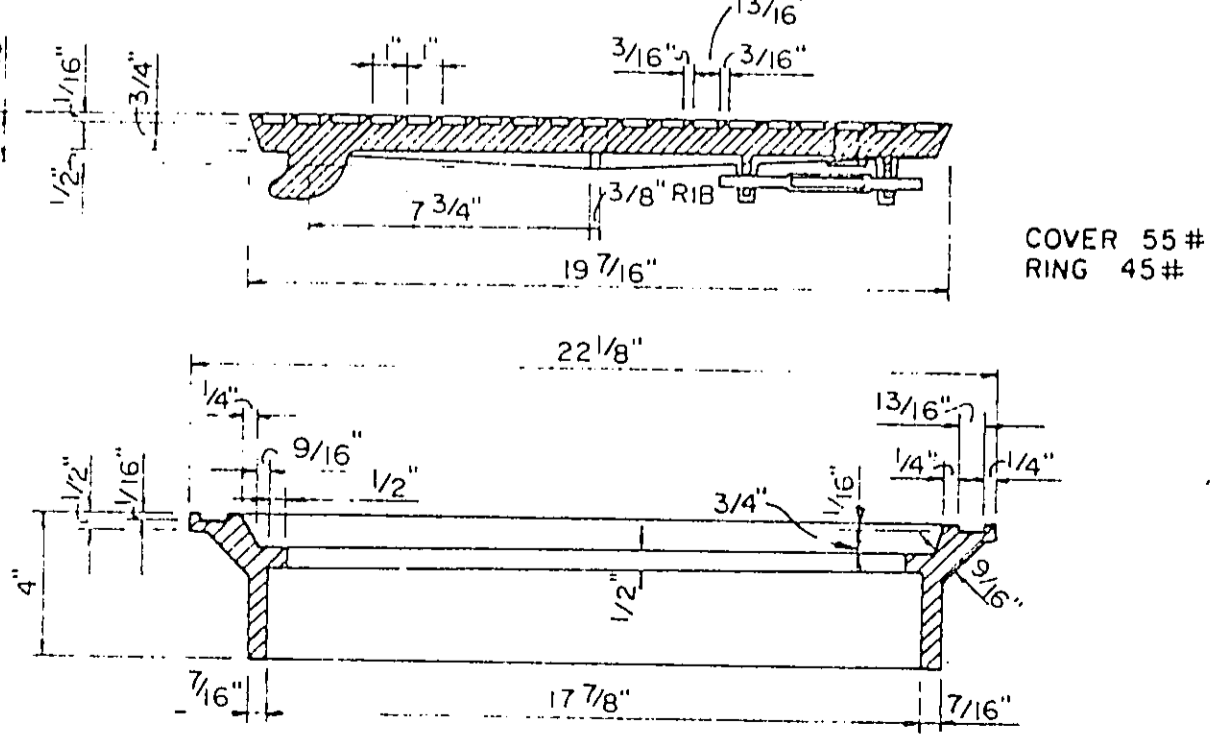
SECTION C-C

SECTION C-C

SECTION D-D FOR 12' & 14' ONLY



PLAN OF FRAME



SECTION OF FRAME AND COVER

INLET FRAME AND COVER

No.	Revision	By	Date
TOWN OF ADDISON DALLAS COUNTY, TEXAS			
CELESTIAL ROAD PUMP STATION			
MISC. DETAILS - DRAINAGE			
GINN, INC. Consulting Engineers Dallas, Texas			

4, 6, AND 8 FOOT INLETS

10, 12, AND 14 FOOT INLETS