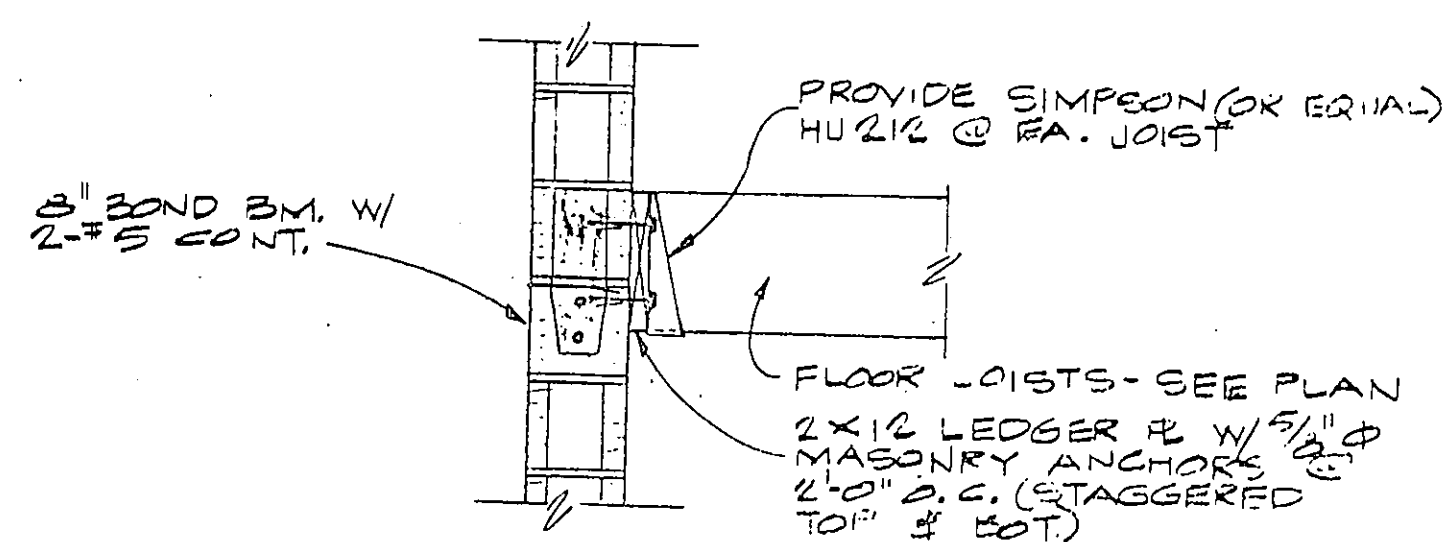
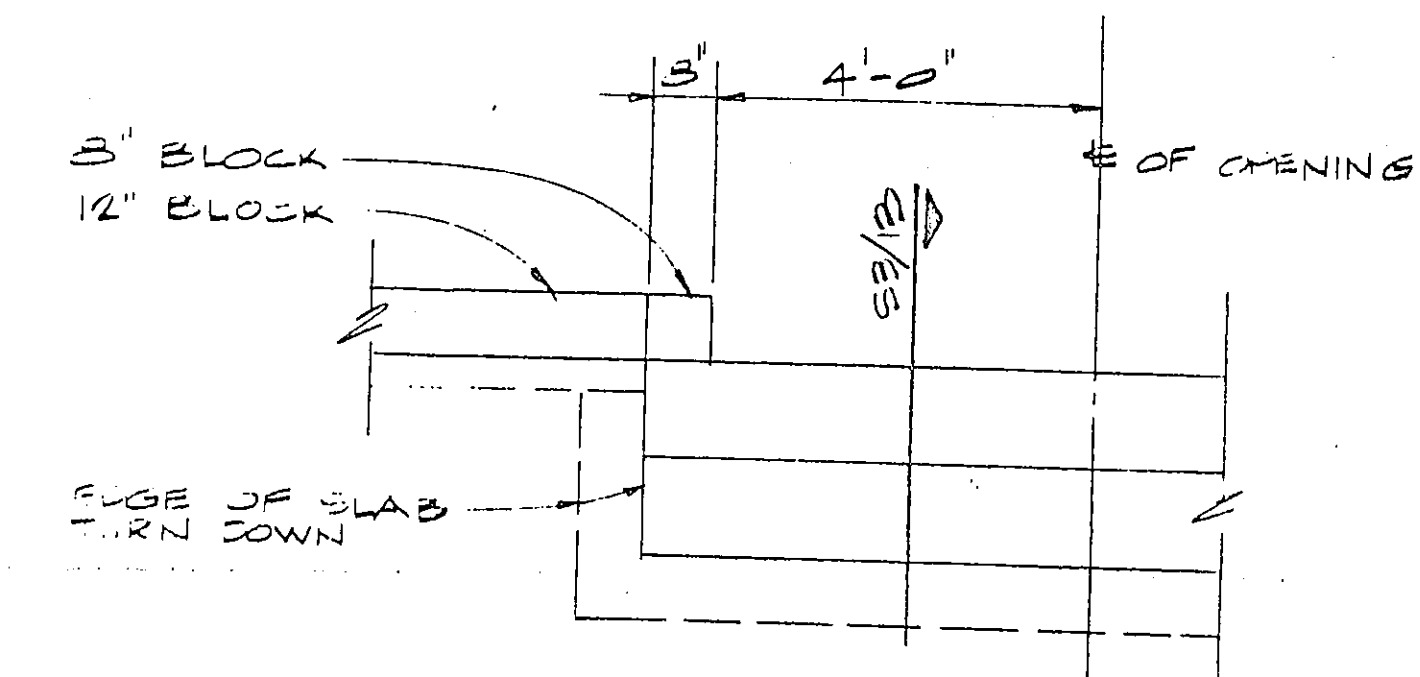


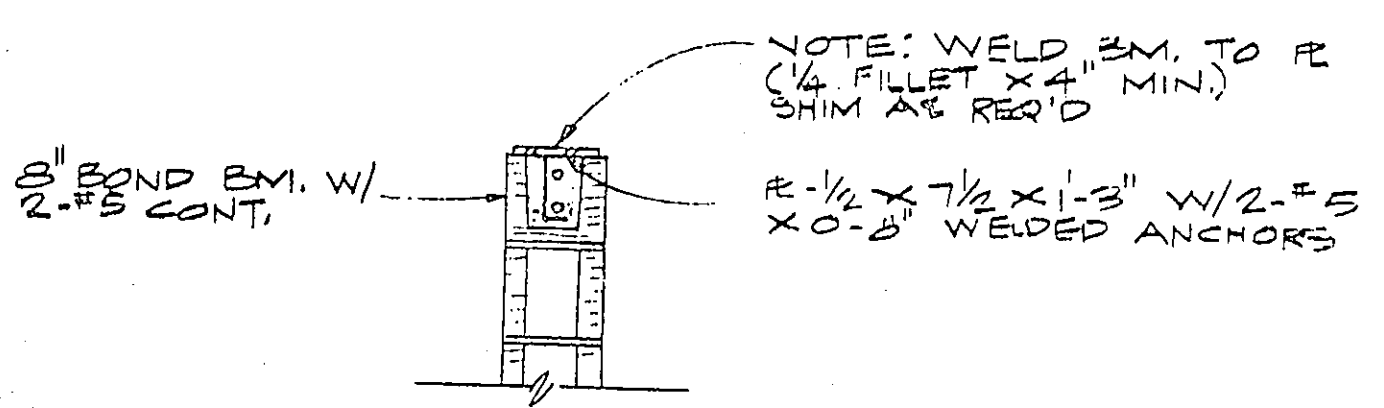
- Plan Notes
1. Refer S4 for General Notes, typical details, footing schedule and base schedule.
 2. Refer S2 for wood framing notes.
 3. C.J. - Indicates construction joint.



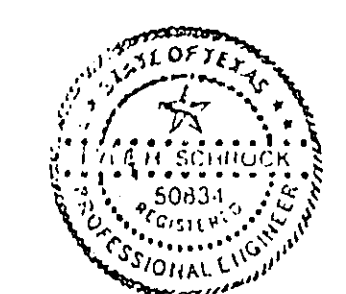
04 SECTION



02 DETAIL



05 SECTION



No.	Revision	By	Date
TOWN OF ADDISON DALLAS COUNTY, TEXAS			
CELESTIAL ROAD PUMP STATION			
HIXSON & HARRIS, INC.		FOUNDATION DETAILS	
Structural Engineers		Highland Park West 4300 Mes. Arthur Avenue, Suite 115 Dallas, Texas 75209	
GINN, INC.			
Consulting Engineers Dallas, Texas			
Designed - C.S.	Drawn - S.L.C.	Date - JANUARY, 1987	Job No. - 217
Approved -	Checked - D.K.		