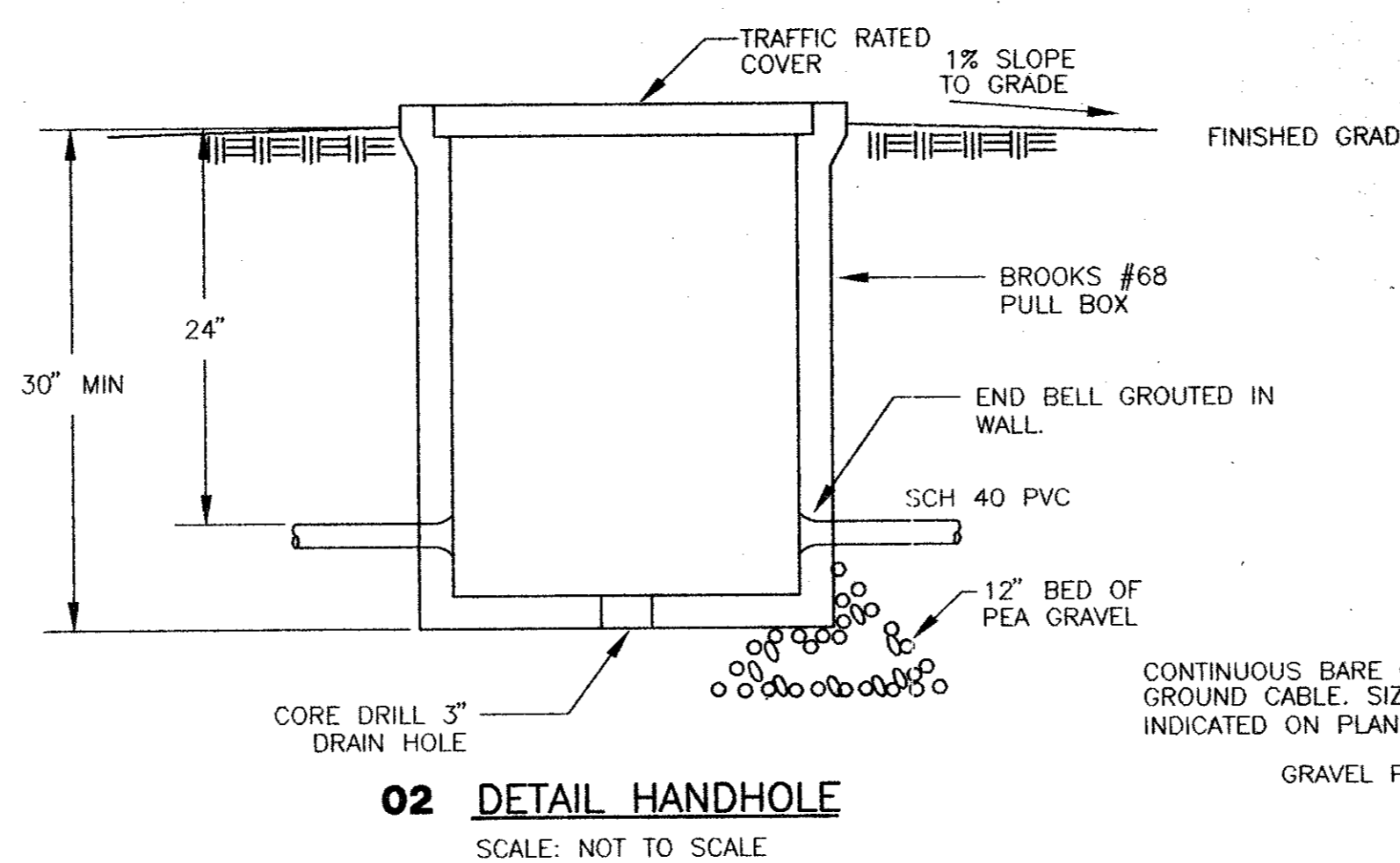
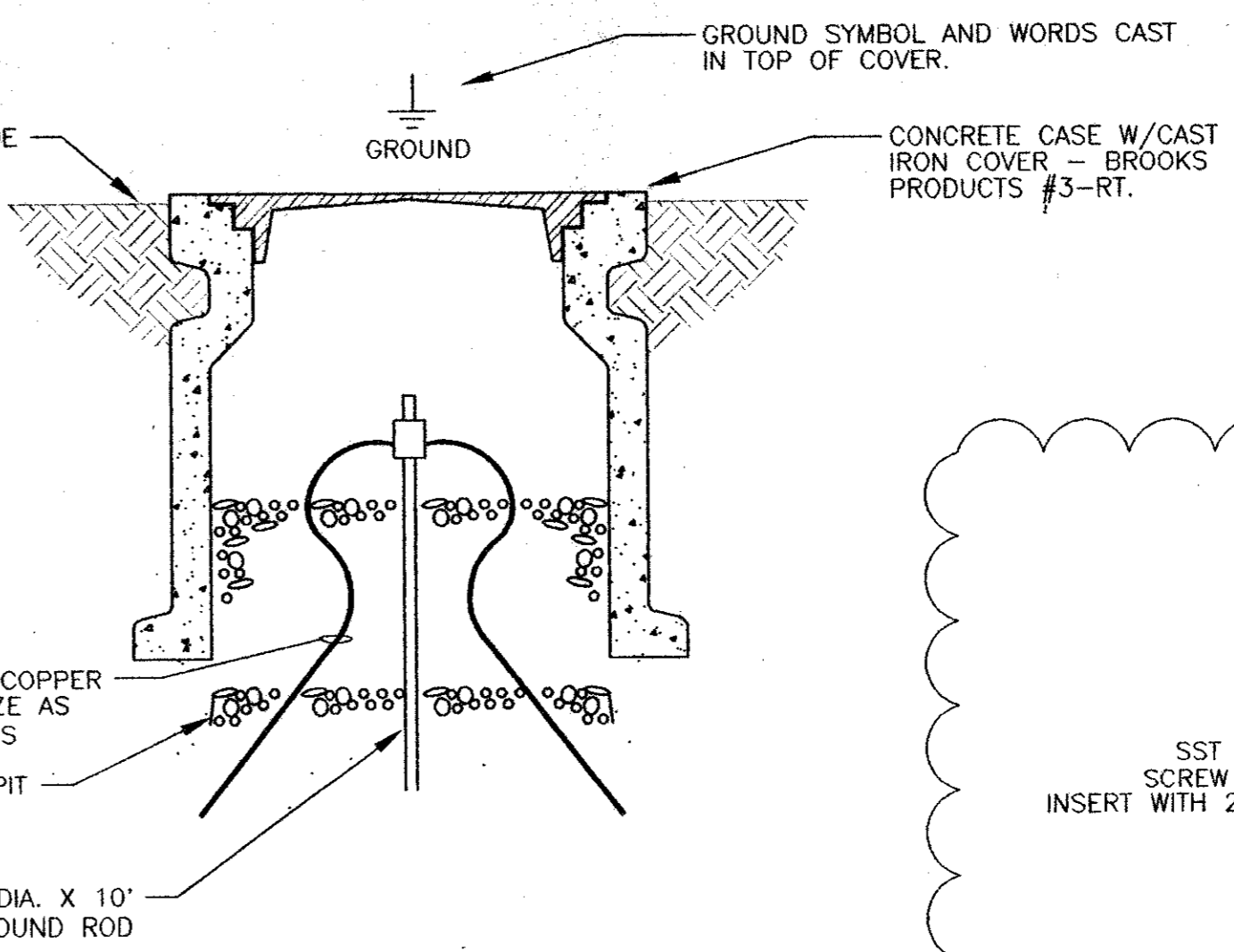


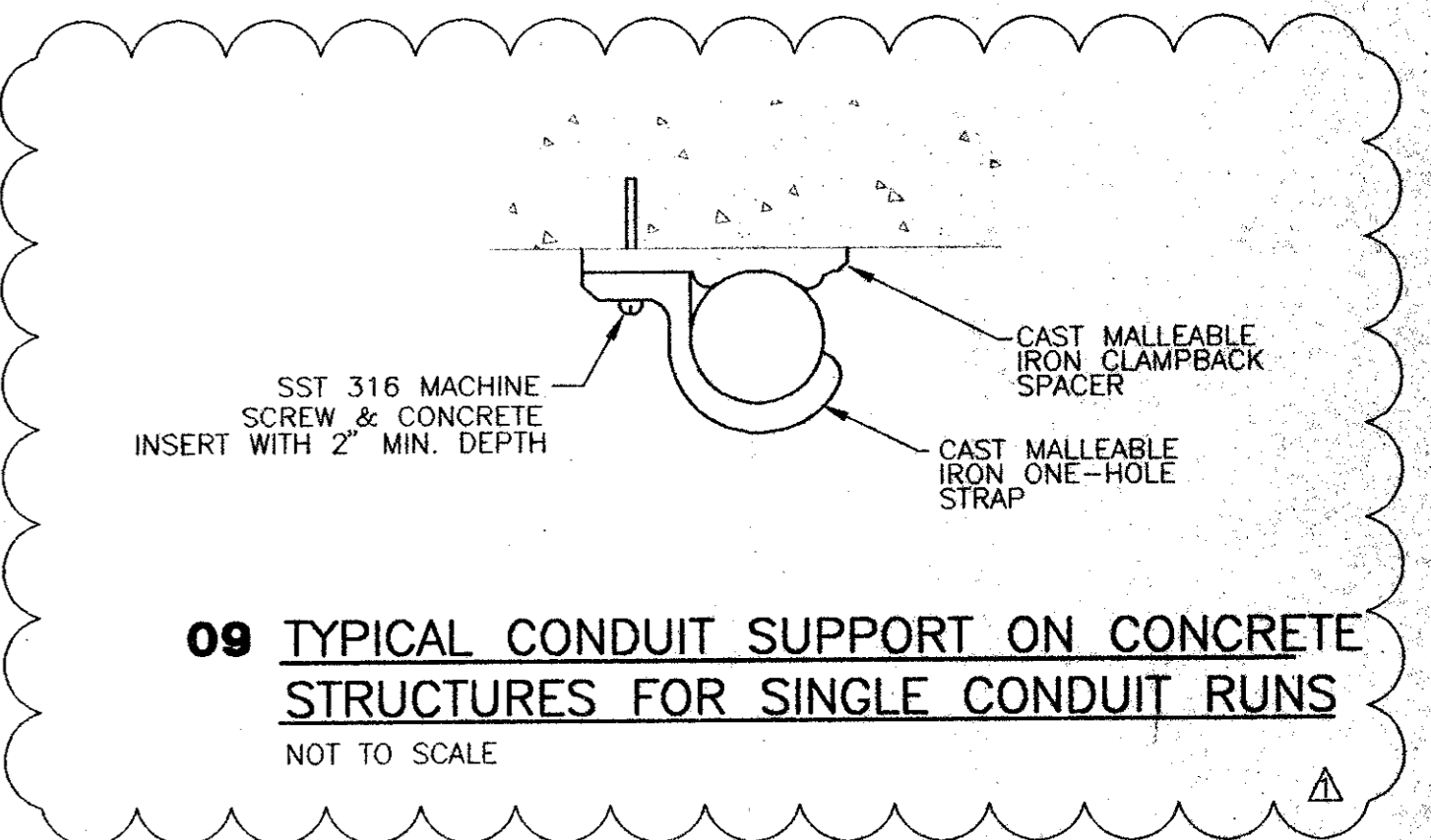
**01 CONCRETE ENCASED UNDERGROUND DUCT BANK**  
NOT TO SCALE



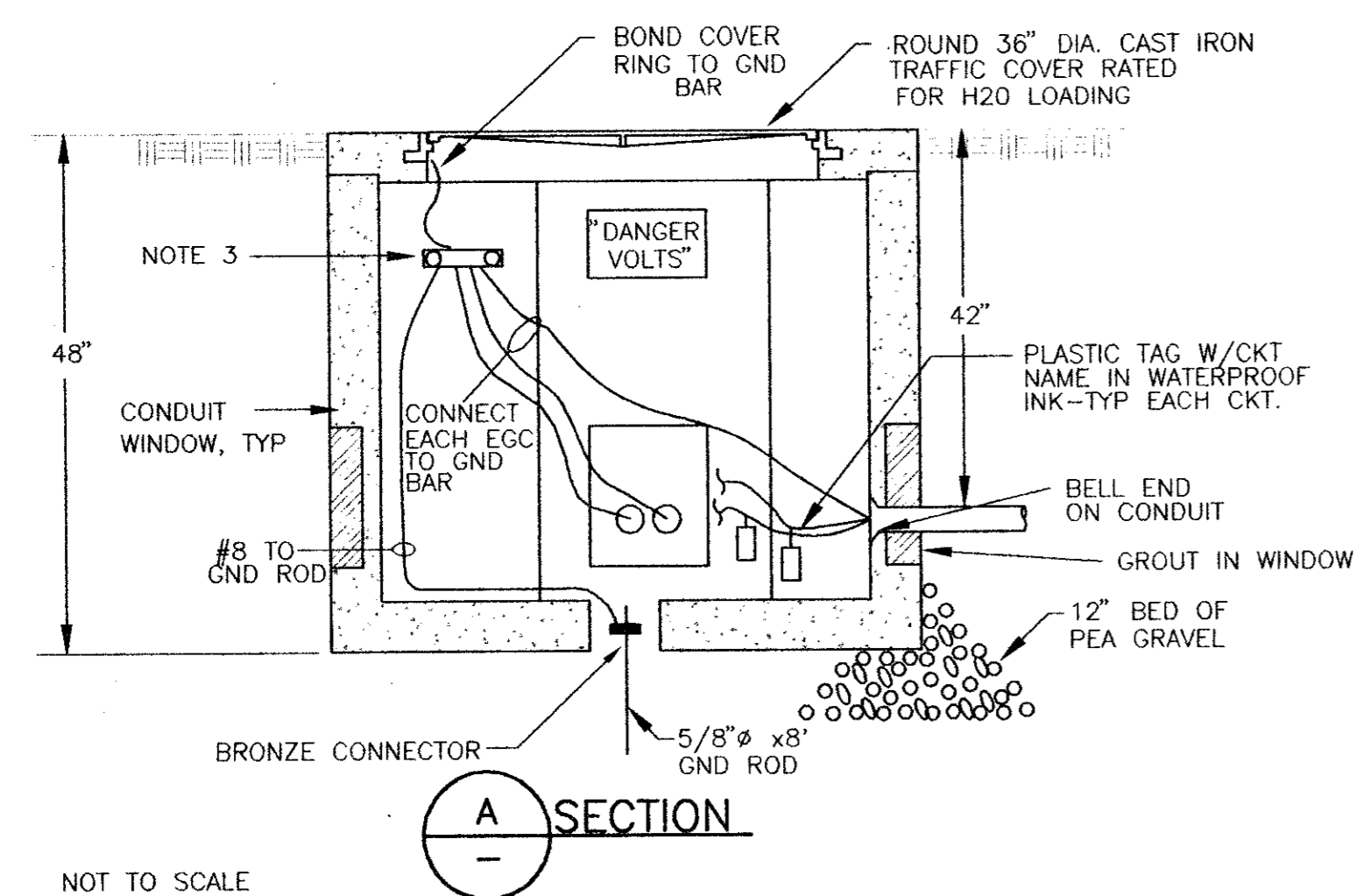
**02 DETAIL HANDHOLE**  
SCALE: NOT TO SCALE



**03 GROUND ROD & WELL**  
SCALE: NOT TO SCALE

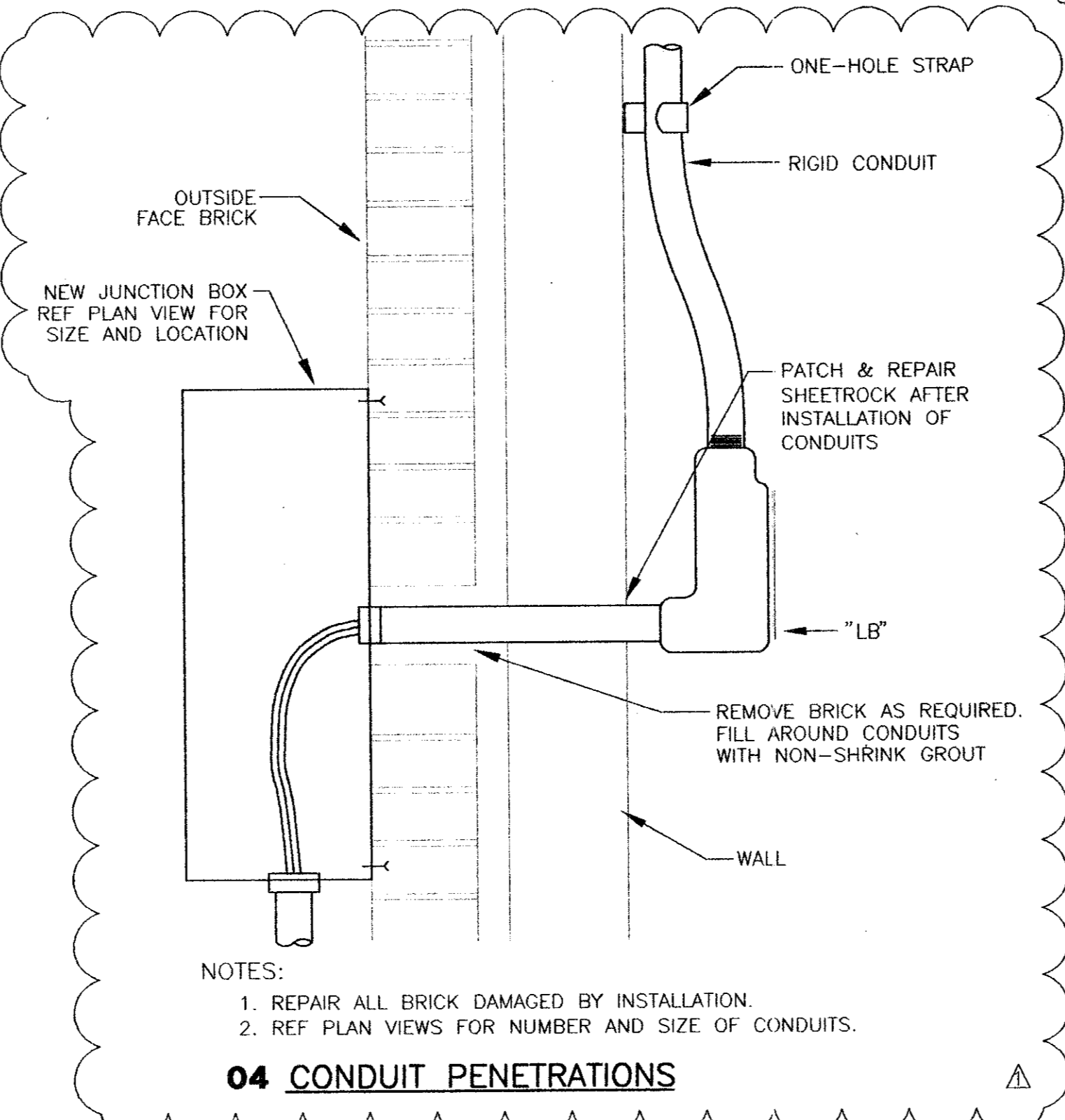


**09 TYPICAL CONDUIT SUPPORT ON CONCRETE STRUCTURES FOR SINGLE CONDUIT RUNS**  
NOT TO SCALE



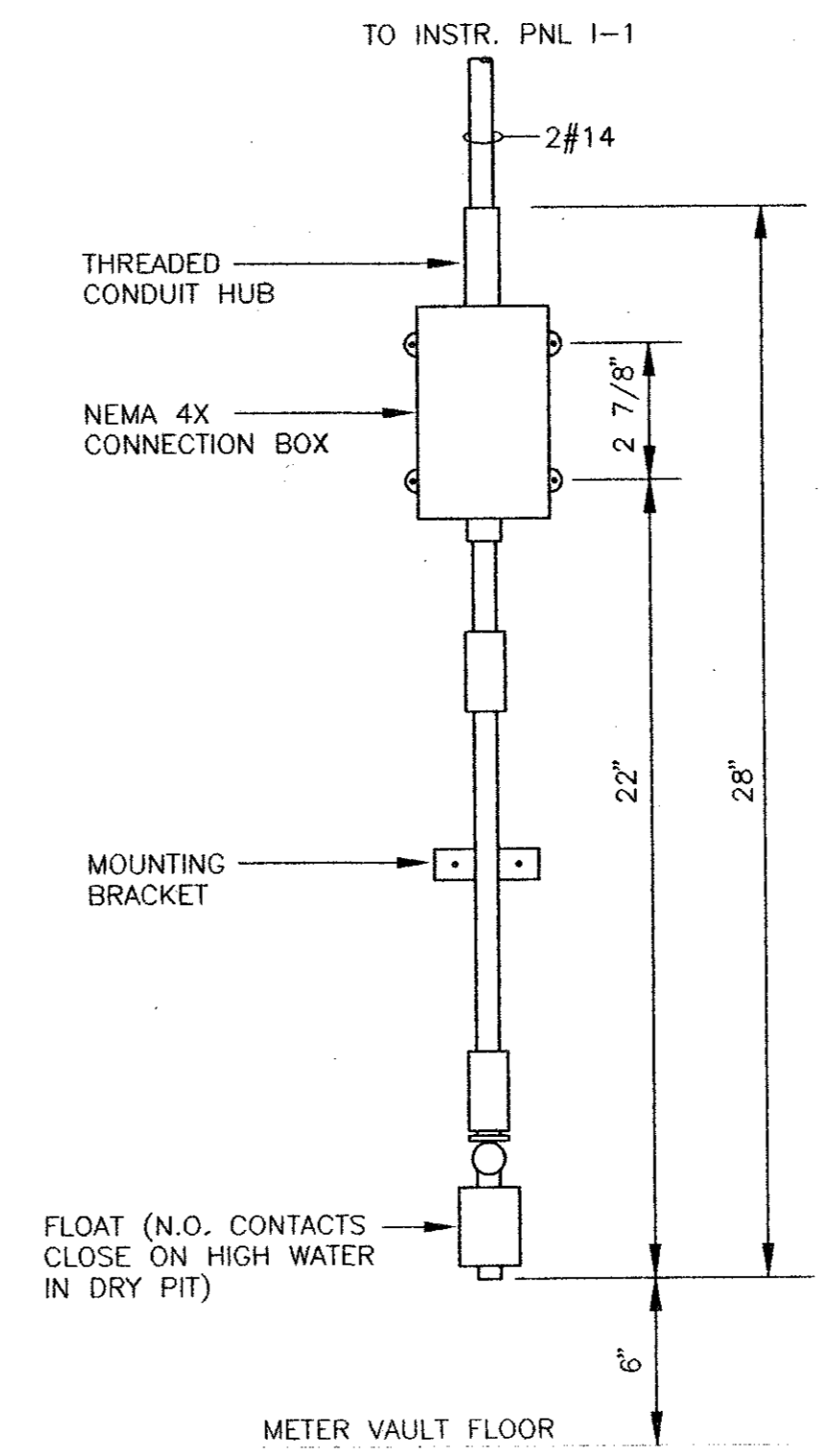
NOT TO SCALE

- NOTES:
1. CONDUIT & WIRING ARRANGEMENTS VARY ACCORDING TO SITE WIRING REQUIREMENTS.
  2. BLACKBURN "WGB" GND BAR, ATTACH TO WALL WITH STAINLESS STEEL ANCHORS.
  3. PULLING IRONS SHALL BE EMBEDDED IN AT LEAST TWO WALLS AND SHALL BE OPPOSITE CONDUIT ENTRIES. FLOOR SHALL HAVE 12" DIAMETER HOLE FOR DRAINAGE.

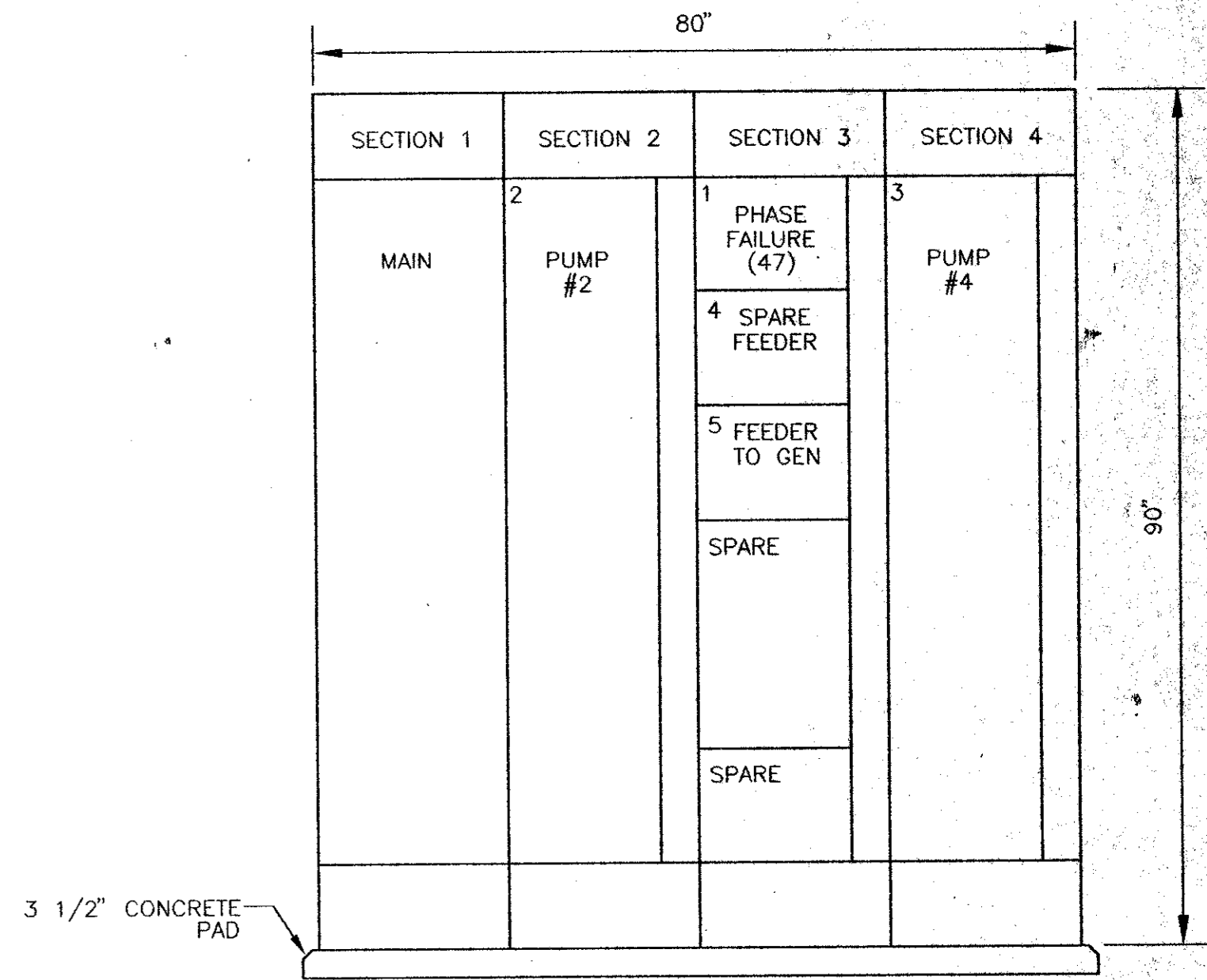


- NOTES:
1. REPAIR ALL BRICK DAMAGED BY INSTALLATION.
  2. REF PLAN VIEWS FOR NUMBER AND SIZE OF CONDUITS.

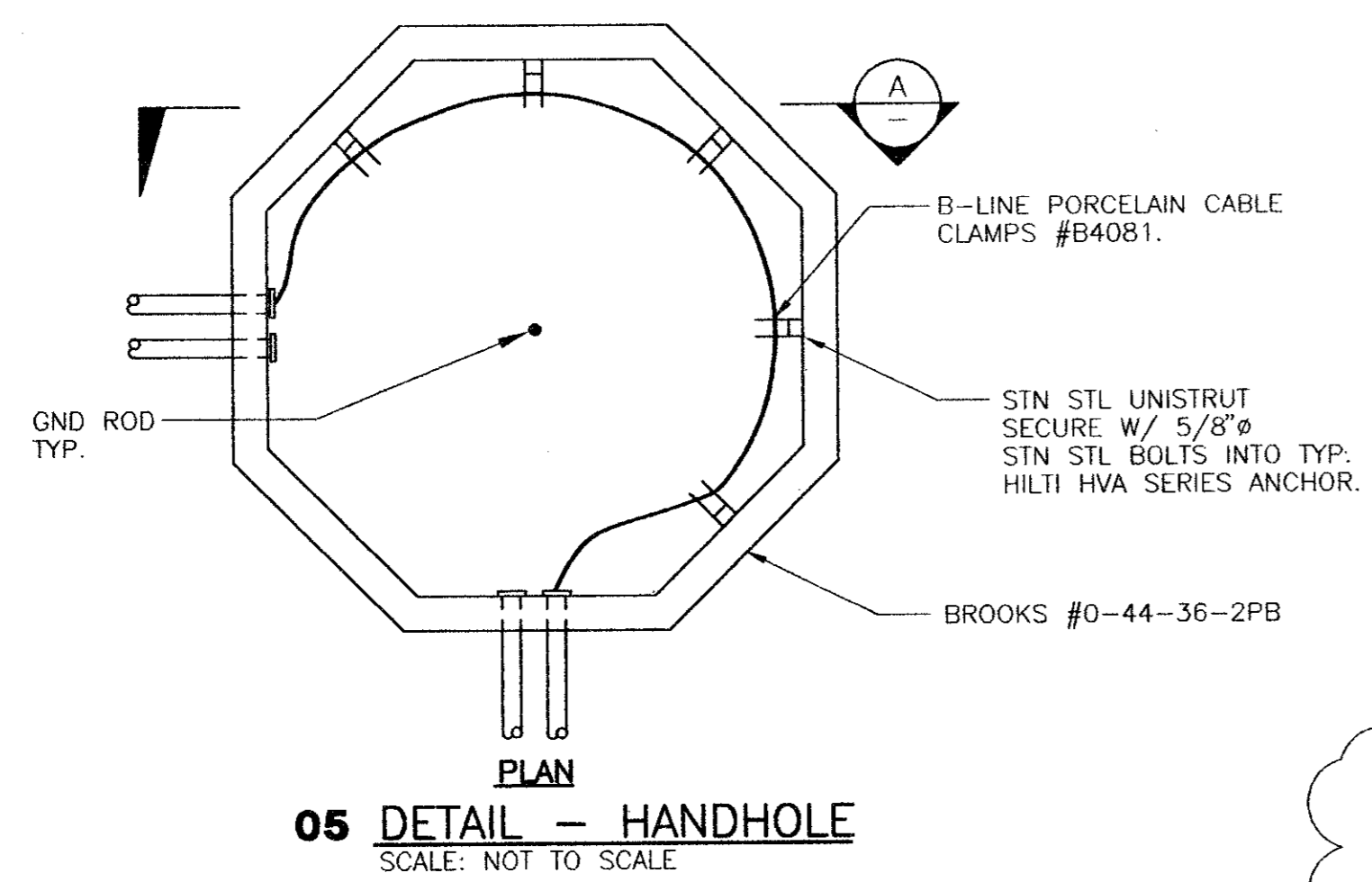
**04 CONDUIT PENETRATIONS**



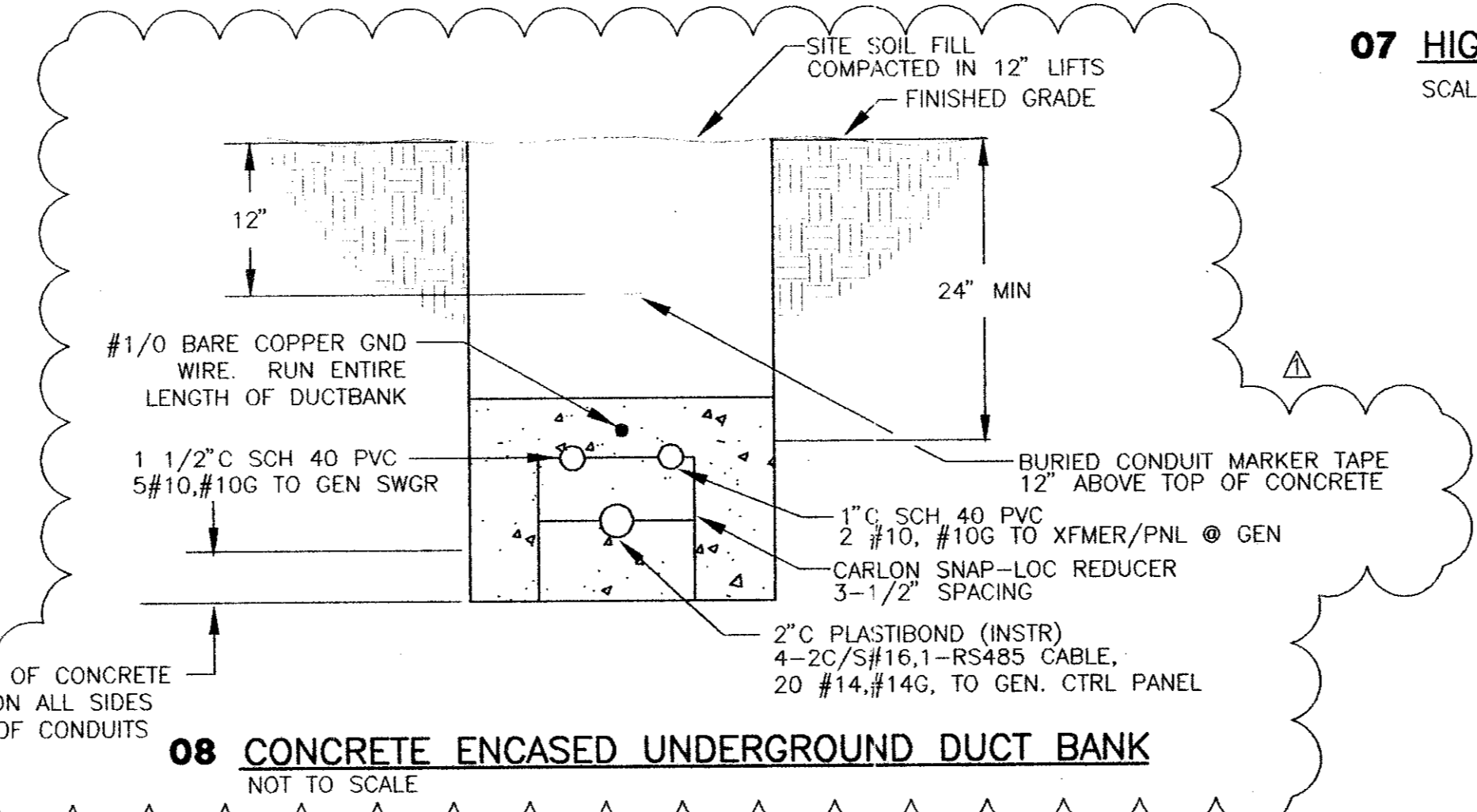
**07 HIGH SUMP WATER ALARM DETAIL**  
SCALE: NOT TO SCALE



**06 MCC "LB" ELEVATION**  
SCALE: 3/4" = 1'-0"



**05 DETAIL - HANDHOLE**  
SCALE: NOT TO SCALE



**08 CONCRETE ENCASED UNDERGROUND DUCT BANK**  
NOT TO SCALE

VERIFY SCALE  
0 1  
Bar is one inch on original drawing. If not one inch on this sheet, adjust scale.

THESE DOCUMENTS ARE FOR BIDDING, CONSTRUCTION, AND PERMIT PURPOSES.

DATE: 2-10-98

STATE OF TEXAS  
JOSEPH J. KOTRLA  
REGISTERED PROFESSIONAL ENGINEER  
56361

E9

2-10-98	ADDENDUM 2	JJK
NO. DATE	REVISION	BY

**TOWN OF ADDISON, TEXAS**

**CELESTIAL ROAD PUMP STATION ADDITIONS ELECTRICAL DETAILS**

**SHIMEK, JACOBS & FINKLEA, L.L.P.**  
CONSULTING ENGINEERS  
Dallas, Texas

DESIGNED BY: J.J.K. PROJECT: 97 180 SHEET NO. 14  
DRAWN BY: C.C.C. DATE: JANUARY, 1998 OF SHEETS

These plans and related specifications were prepared for construction of this specific project only. Reuse of these documents is not permitted without written authorization of Shimek, Jacobs & Finklea, L.L.P.