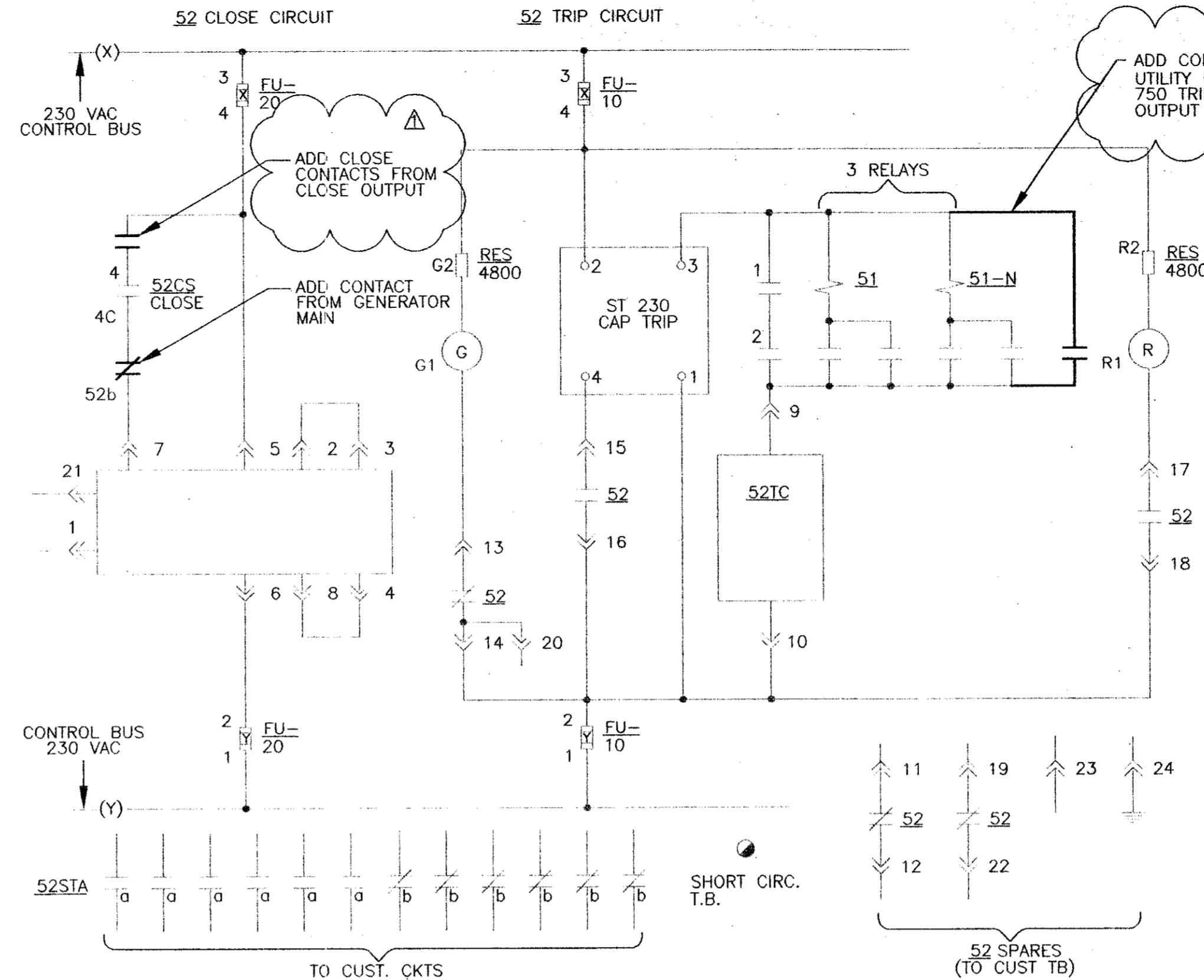
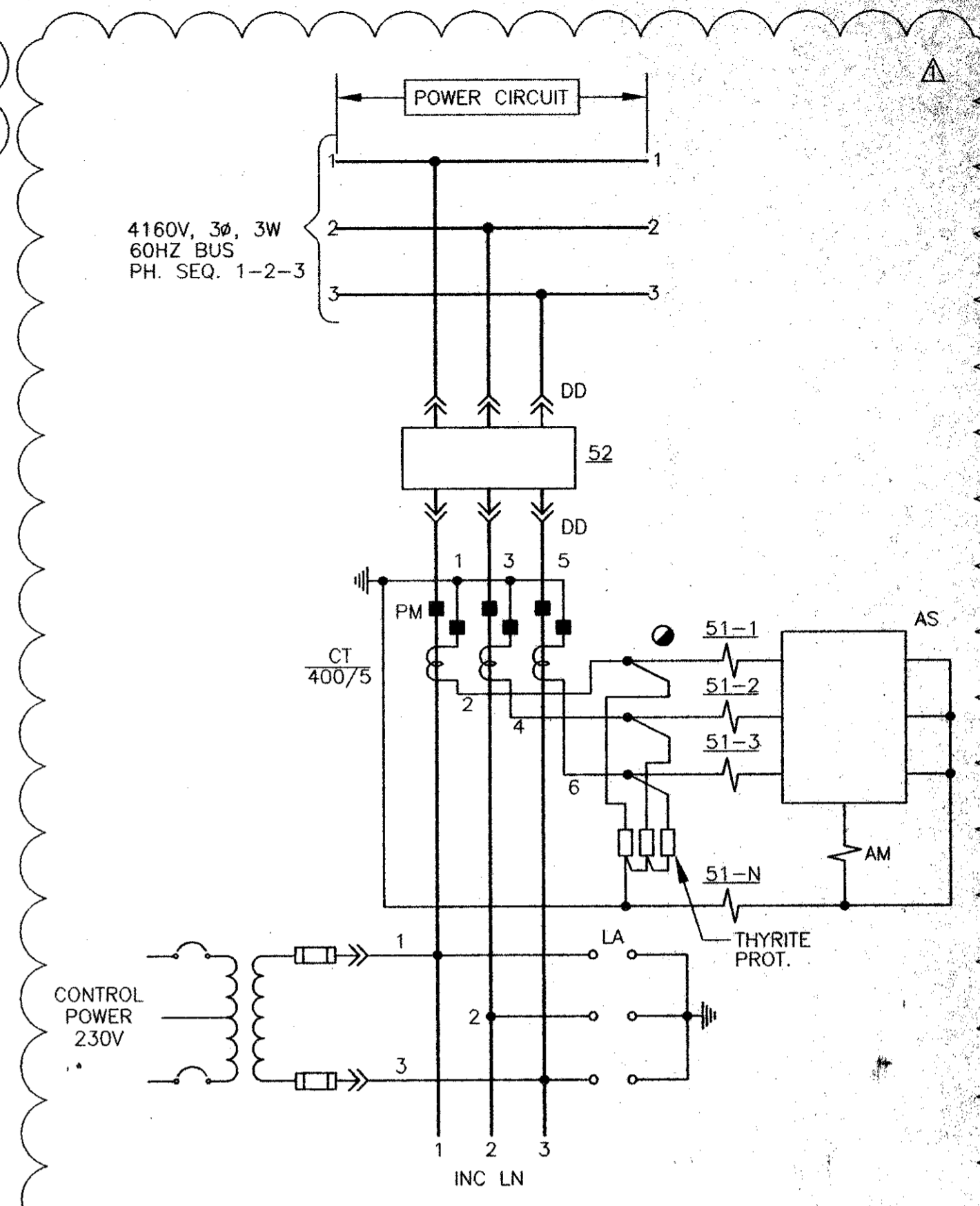


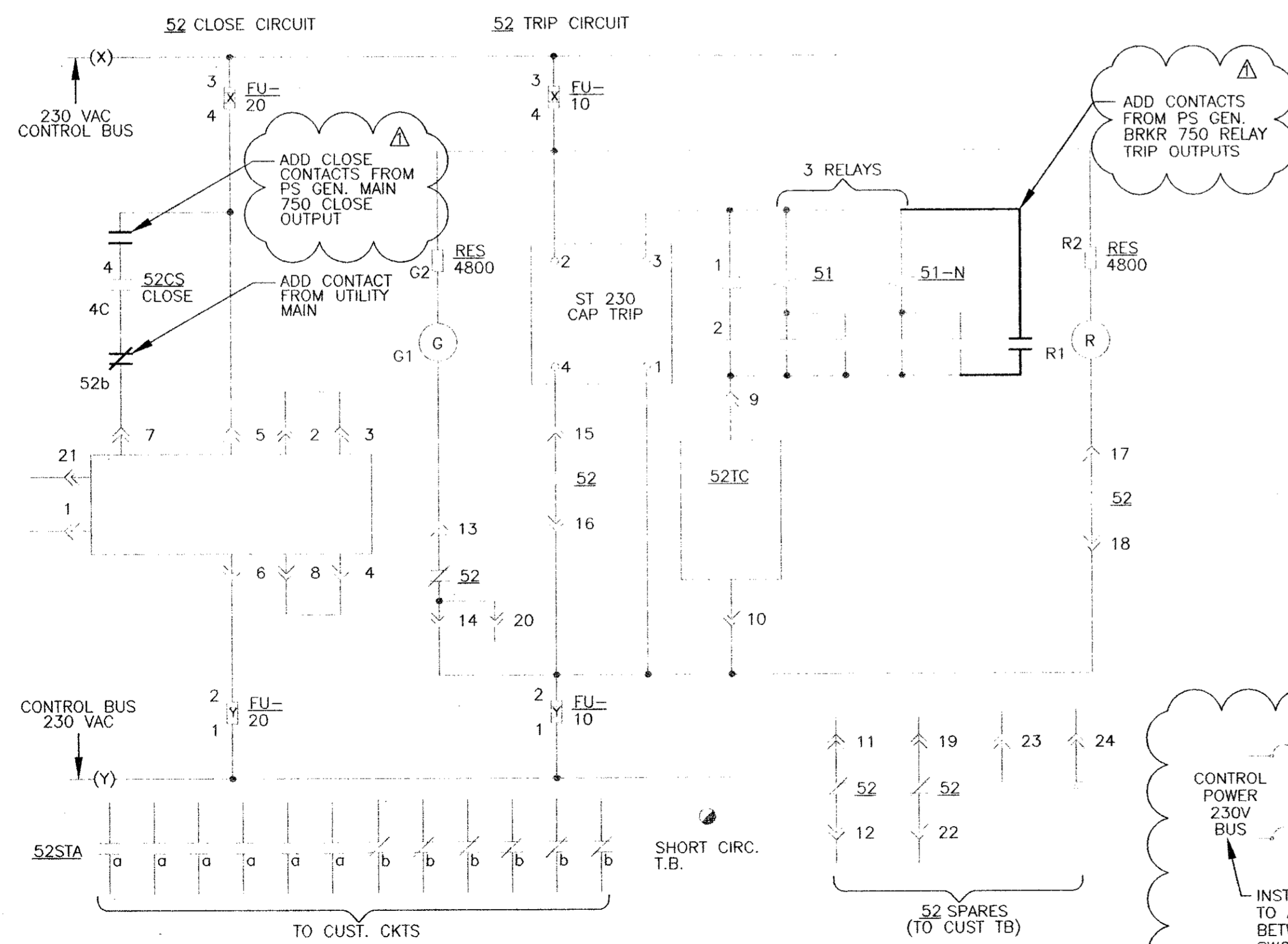
01 CONTROL SCHEMATIC-EXISTING MAIN AND FEEDER BREAKER



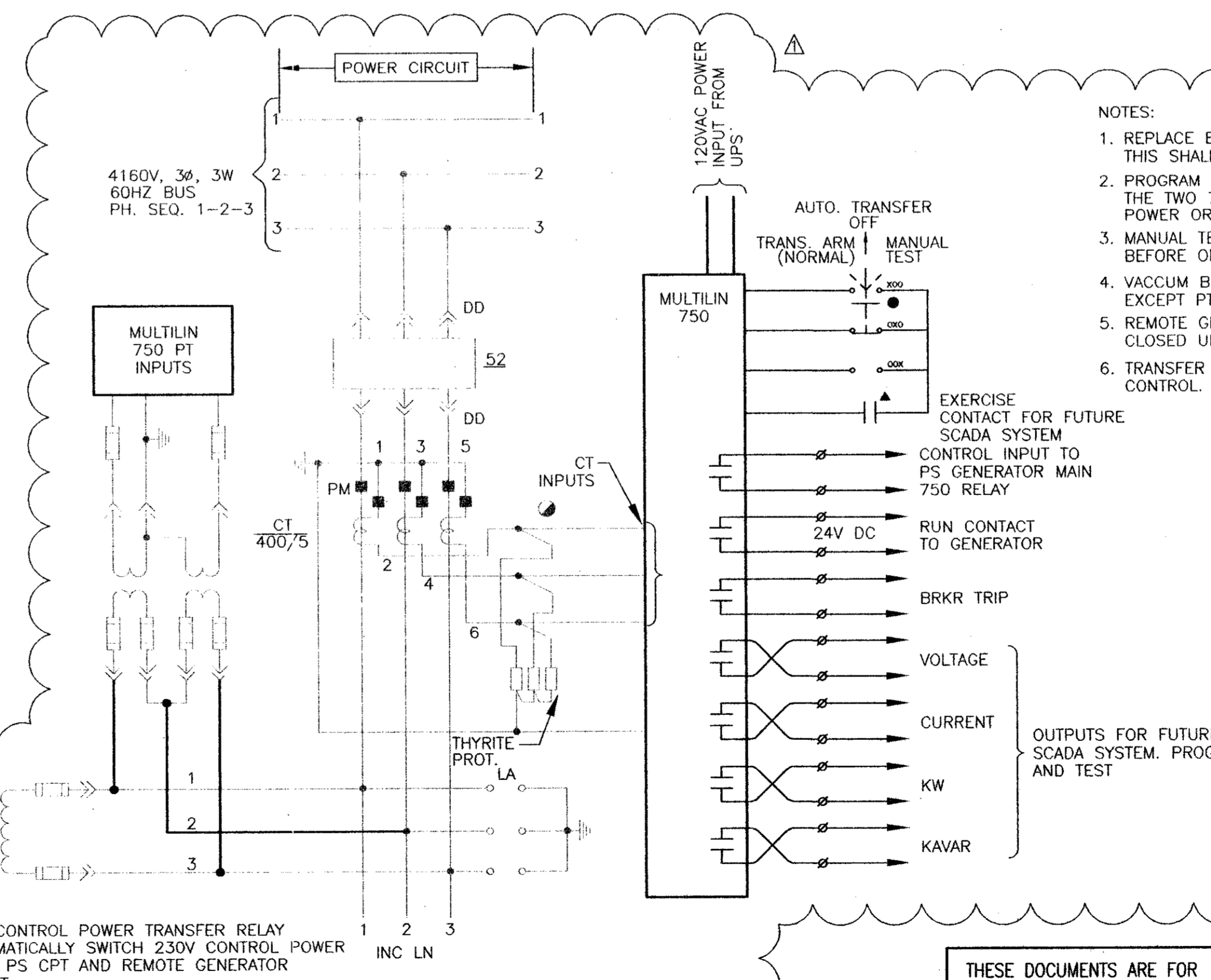
02 CONTROL SCHEMATIC-MODIFIED MAIN BREAKER-UTILITY MAIN



05 VACUUM BREAKER 3-LINE DIAGRAM EXISTING



03 CONTROL SCHEMATIC-MODIFIED FEEDER BREAKER-GENERATOR MAIN

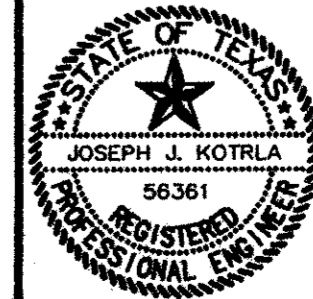


06 VACUUM BREAKER 3-LINE DIAGRAM MODIFICATIONS

- NOTES:
1. REPLACE EXISTING INDUCTION DISK RELAYS WITH MULTILIN 750 SOLID STATE RELAYS. THIS SHALL BE DONE ON BOTH EXIST. 5KV BREAKERS.
 2. PROGRAM RELAY TO PERFORM PROTECTIVE FUNCTIONS FOR FEEDER AND PROGRAM THE TWO 750 RELAYS TO PERFORM A DEAD BUS TRANSFER UPON LOSS OF UTILITY POWER OR EXERCISE CONTACT CLOSURE FROM SCADA SYSTEM.
 3. MANUAL TEST SHALL START GENERATOR AND ALLOW WARM UP AND VOLTAGE STABILIZATION BEFORE OPENING MAIN AND CLOSING PS GENERATOR BREAKER.
 4. VACUUM BREAKER 3-LINE DIAGRAM FOR PS GENERATOR BREAKER SHALL BE SIMILAR EXCEPT PT INPUTS ARE FROM REMOTE SWGR AT GENERATOR.
 5. REMOTE GENERATOR SWGR BREAKER IS NOT PART OF TRANSFER SCHEME. IT SHALL REMAIN CLOSED UNLESS OVERLOAD, LOSS OF PHASE, OR OVERCURRENT TRIP FUNCTIONS ARE ACTIVATED.
 6. TRANSFER SCHEME SHALL HAVE ADJUSTABLE TIME DELAYS FOR GENERATOR START AND BREAKER CONTROL. TIME DELAYS SHALL BE ADJUSTABLE THROUGH KEYPAD OR 750'S.

These plans and related specifications were prepared for construction of this specific project only. Reuse of these documents is not permitted without written authorization of Shimek, Jacobs & Finklea, L.L.P.

THESE DOCUMENTS ARE FOR BIDDING, CONSTRUCTION, AND PERMIT PURPOSES.
 DATE: 2-10-99



NO.	2-10-98	ADDENDUM 2	JJK
DATE		REVISION	BY
E5 TOWN OF ADDISON, TEXAS			
CELESTIAL ROAD PUMP STATION ADDITIONS ELECTRICAL SCHEMATICS III			
SHIMEK, JACOBS & FINKLEA, L.L.P. CONSULTING ENGINEERS Dallas, Texas			
DESIGNED BY:	J.J.K.	PROJECT:	97-180
DRAWN BY:	C.C.C.	DATE:	JANUARY, 1998
			SHEET NO. 10 OF 10 SHEETS