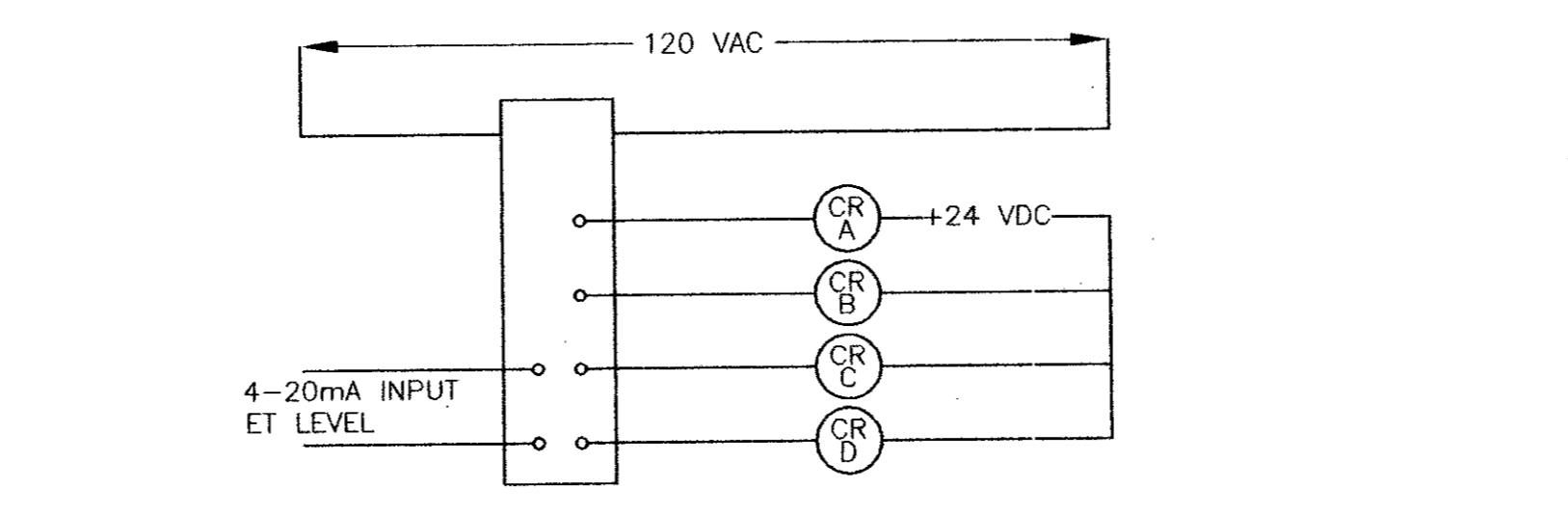
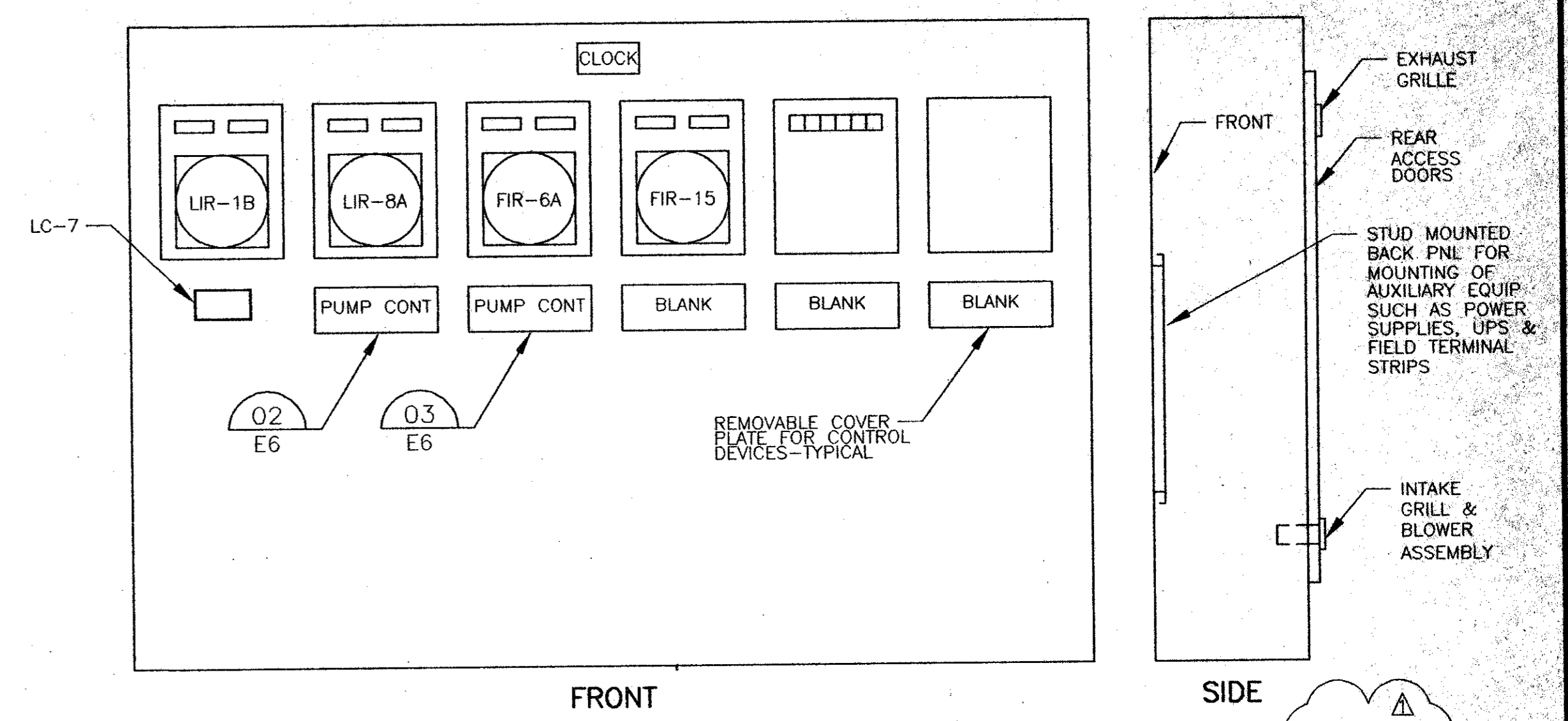


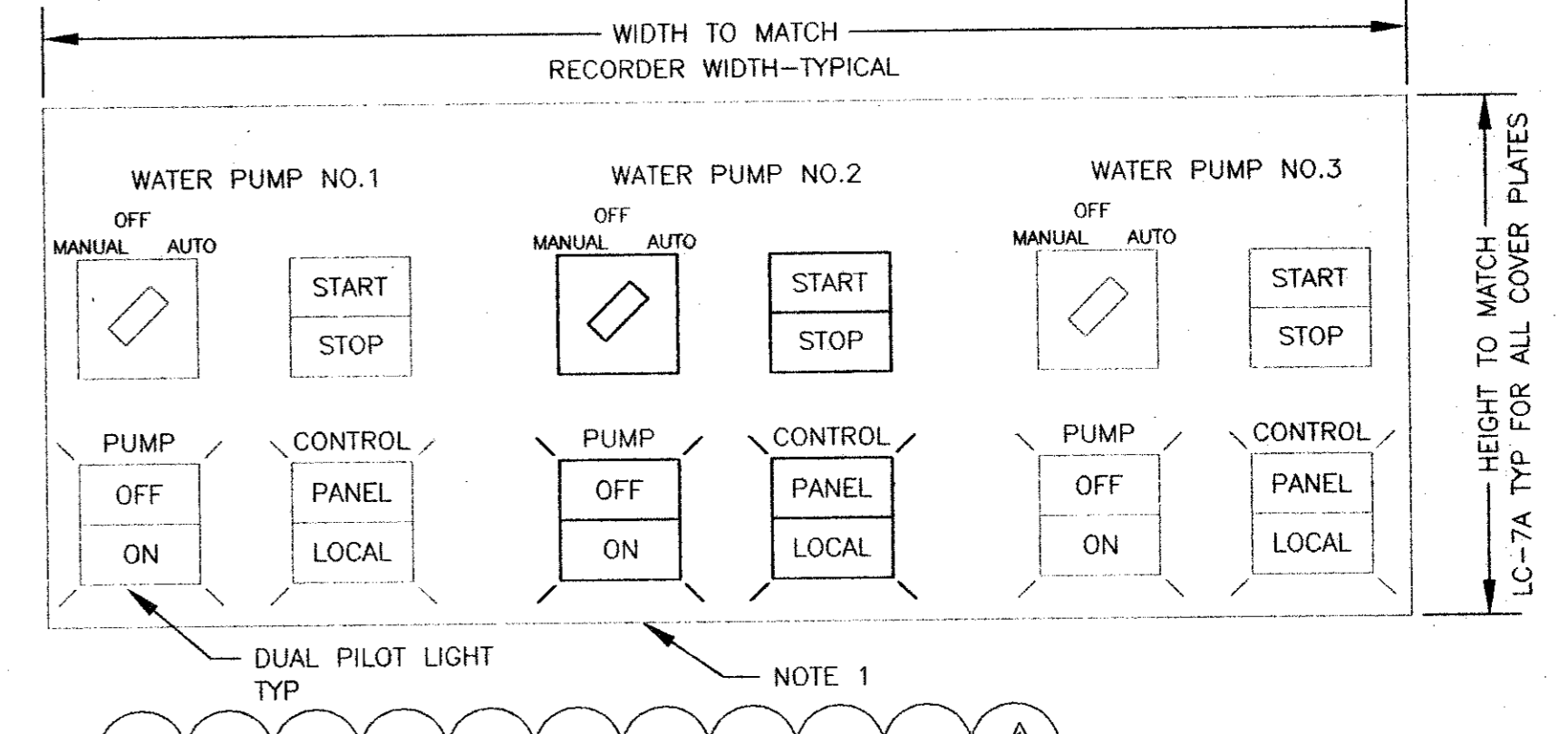
04 CONTROL SCHEMATIC - INSTRUMENTATION CONTROL PANEL



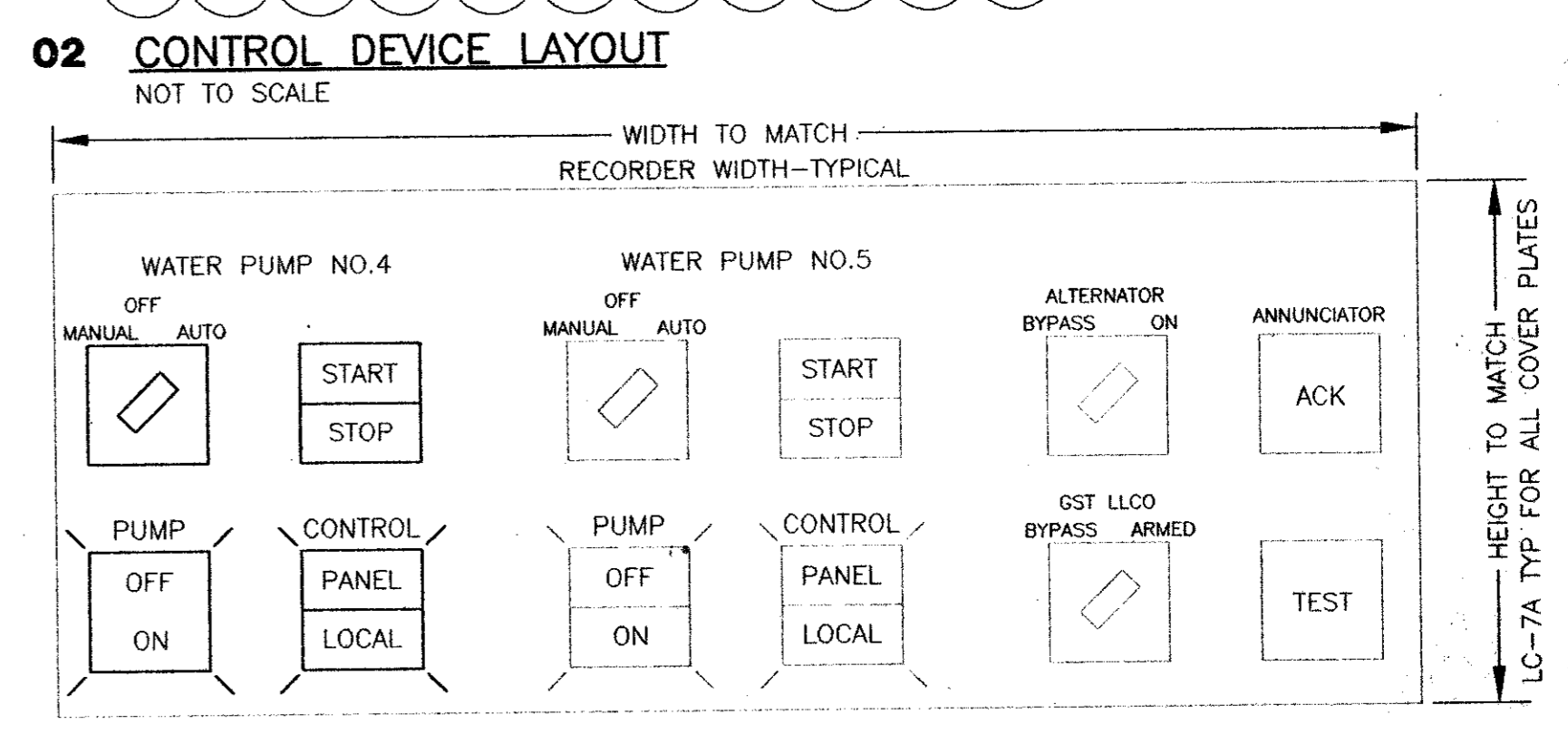
05 CONTROL SCHEMATIC - EXISTING LEVEL CONTROL



01 MAIN INSTRUMENT CONTROL PANEL - CELESTIAL ROAD PUMP STATION - EXISTING
SCALE: 3/4" = 1'-0"

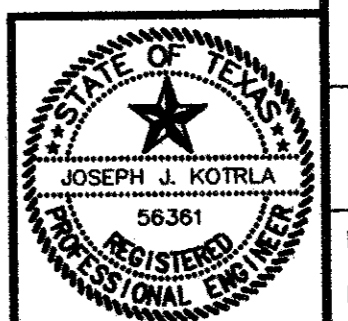


02 CONTROL DEVICE LAYOUT
NOT TO SCALE



03 CONTROL DEVICE LAYOUT
NOT TO SCALE

THESE DOCUMENTS ARE FOR BIDDING, CONSTRUCTION, AND PERMIT PURPOSES.
DATE: 2.10.98



2-10-98	ADDENDUM 2	JJK
NO.	DATE	REVISION
TOWN OF ADDISON, TEXAS		
CELESTIAL ROAD PUMP STATION ADDITIONS ELECTRICAL SCHEMATICS IV		
SHIMEK, JACOBS & FINKLEA, L.L.P. CONSULTING ENGINEERS Dallas, Texas		
DESIGNED BY: J.J.K.	PROJECT: 97 180	SHEET NO. 11A
DRAWN BY: C.C.C.	DATE: JANUARY, 1998	OF SHEETS

These plans and related specifications were prepared for construction of this specific project only. Reuse of these documents is not permitted without written authorization of Shimek, Jacobs & Finklea, L.L.P.