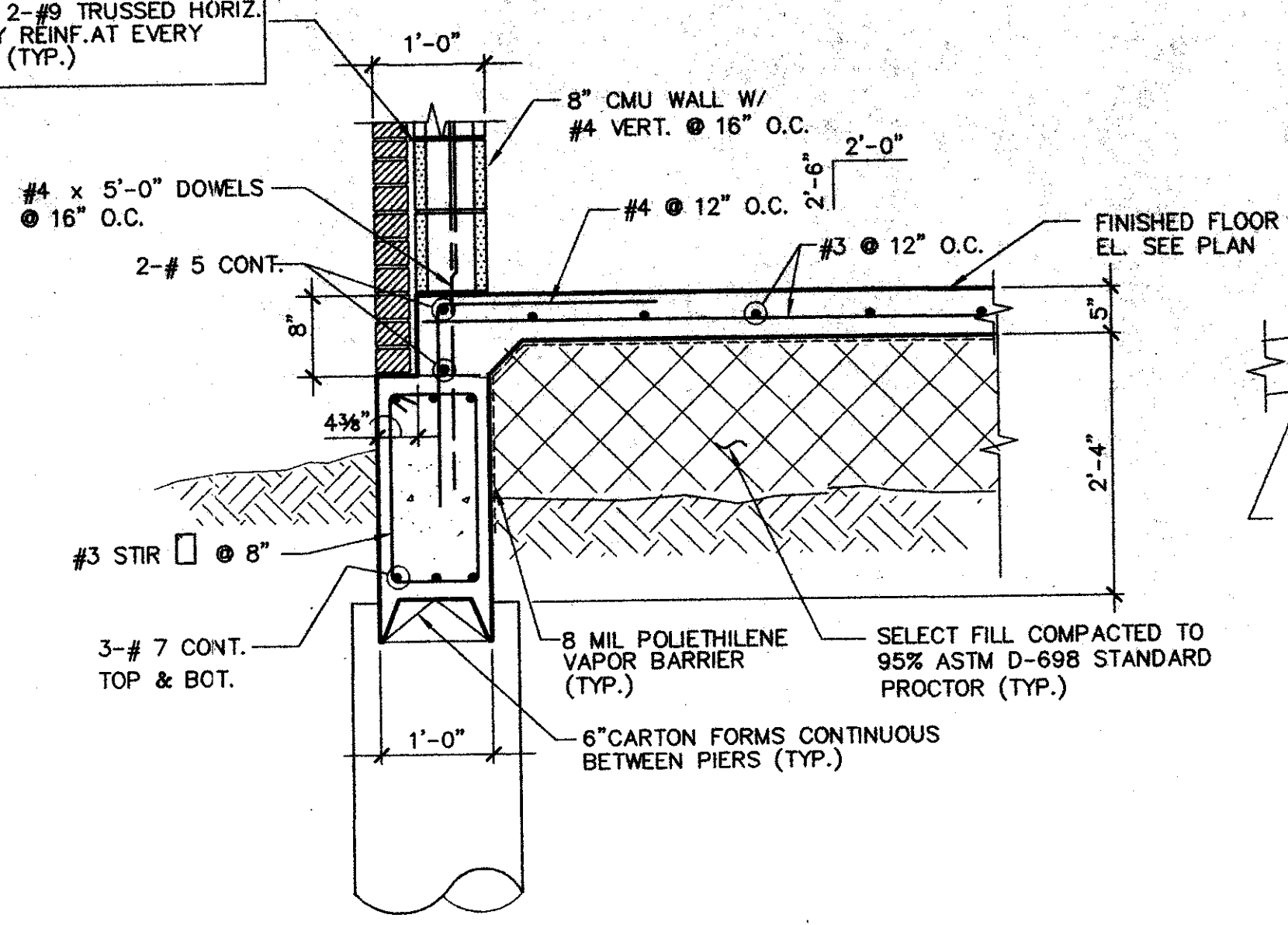


FOUNDATION PLAN
SCALE: 1/4"=1'-0"

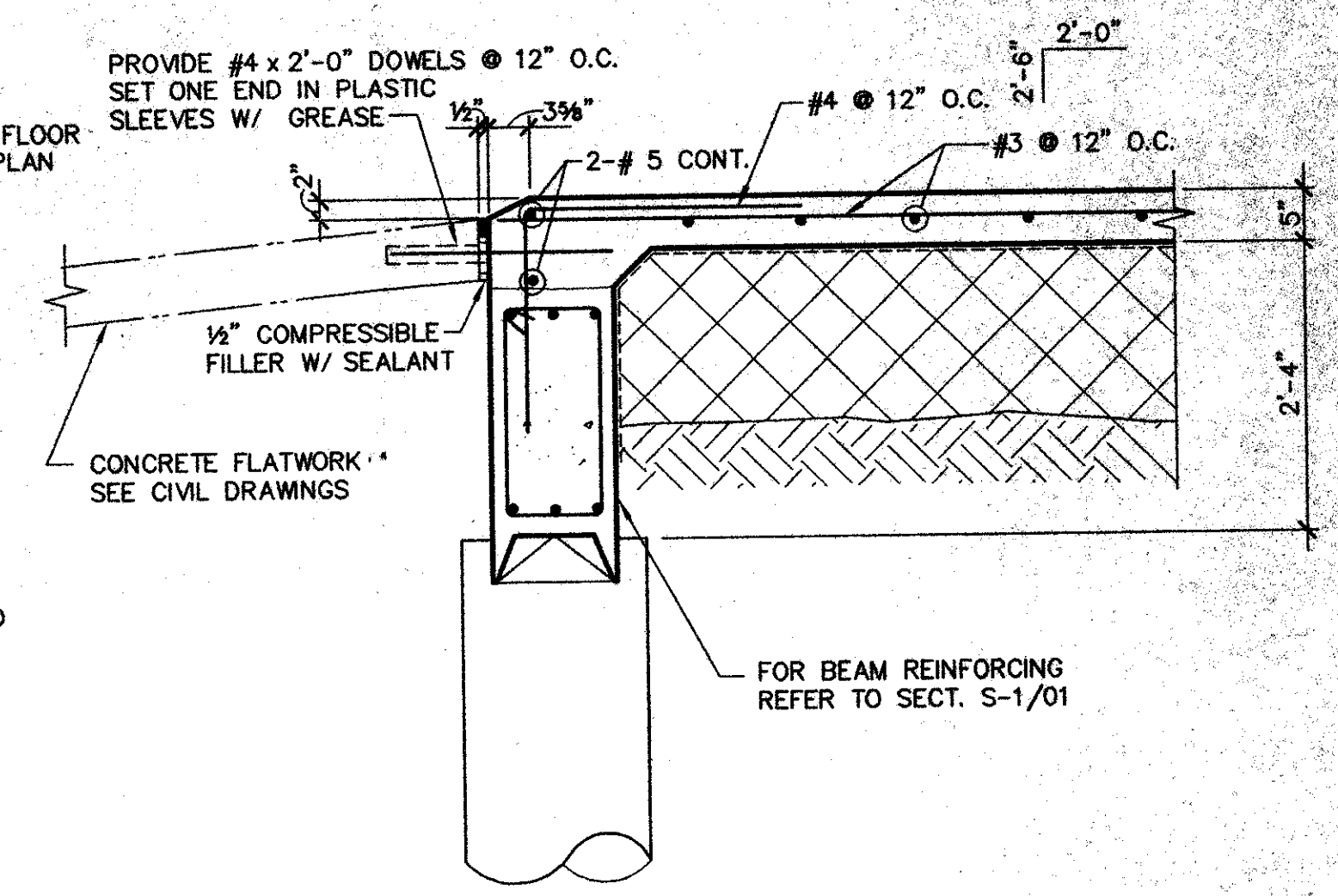


NOTES:
FOR EXACT LOCATION OF DOORS AND LOUVERS REFER TO ARCH'L DRAWINGS.

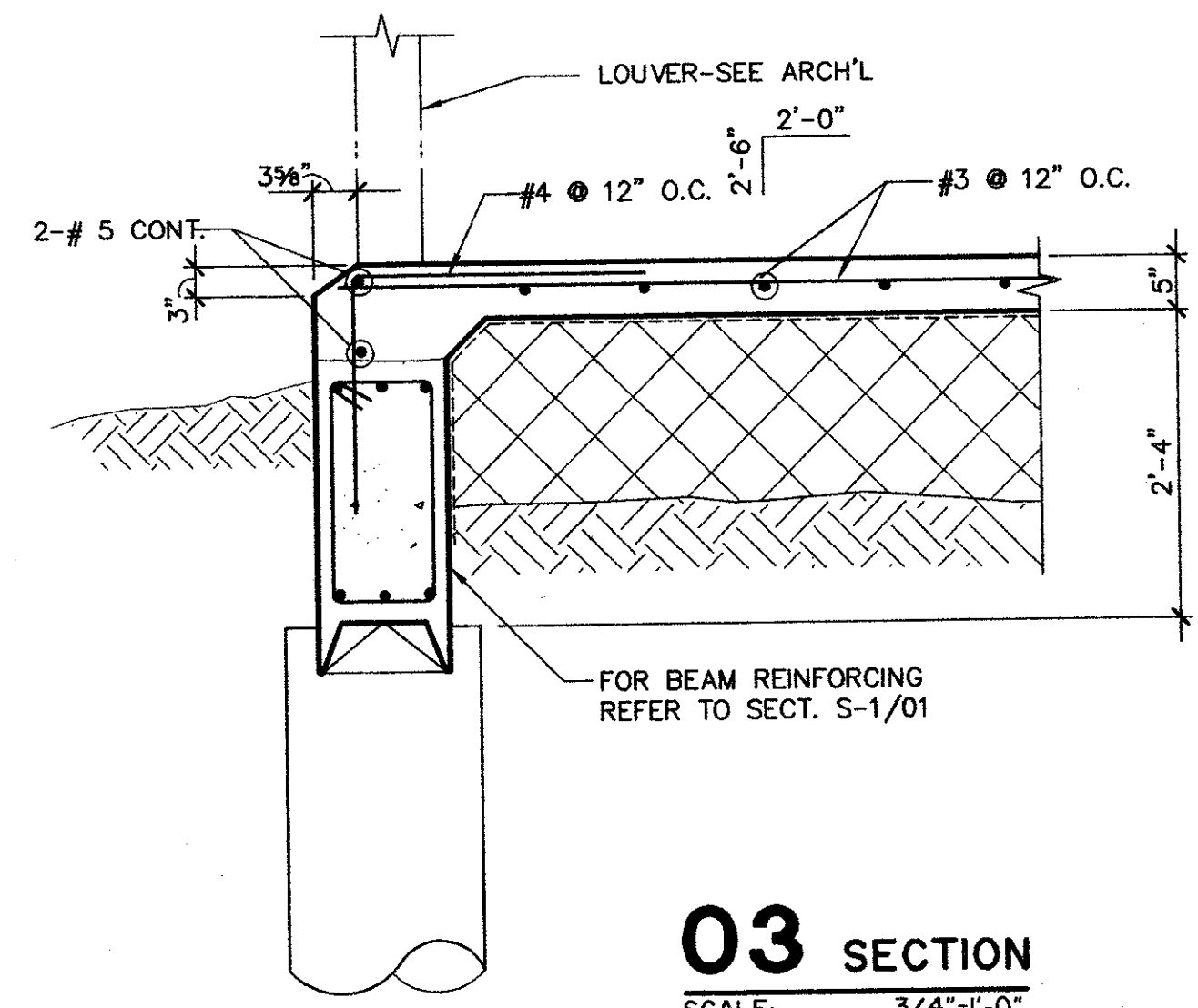
NOTE:
PROVIDE 2-#9 TRUSSED HORIZ. MASONRY REINF. AT EVERY 16" O.C. (TYP.)



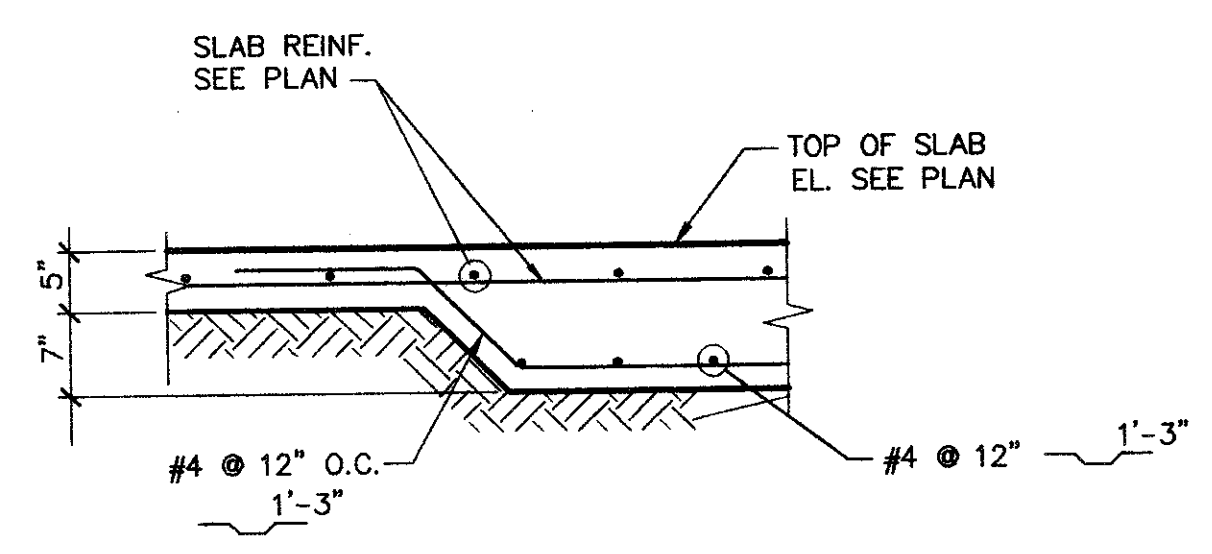
01 SECTION
SCALE: 3/4"=1'-0"



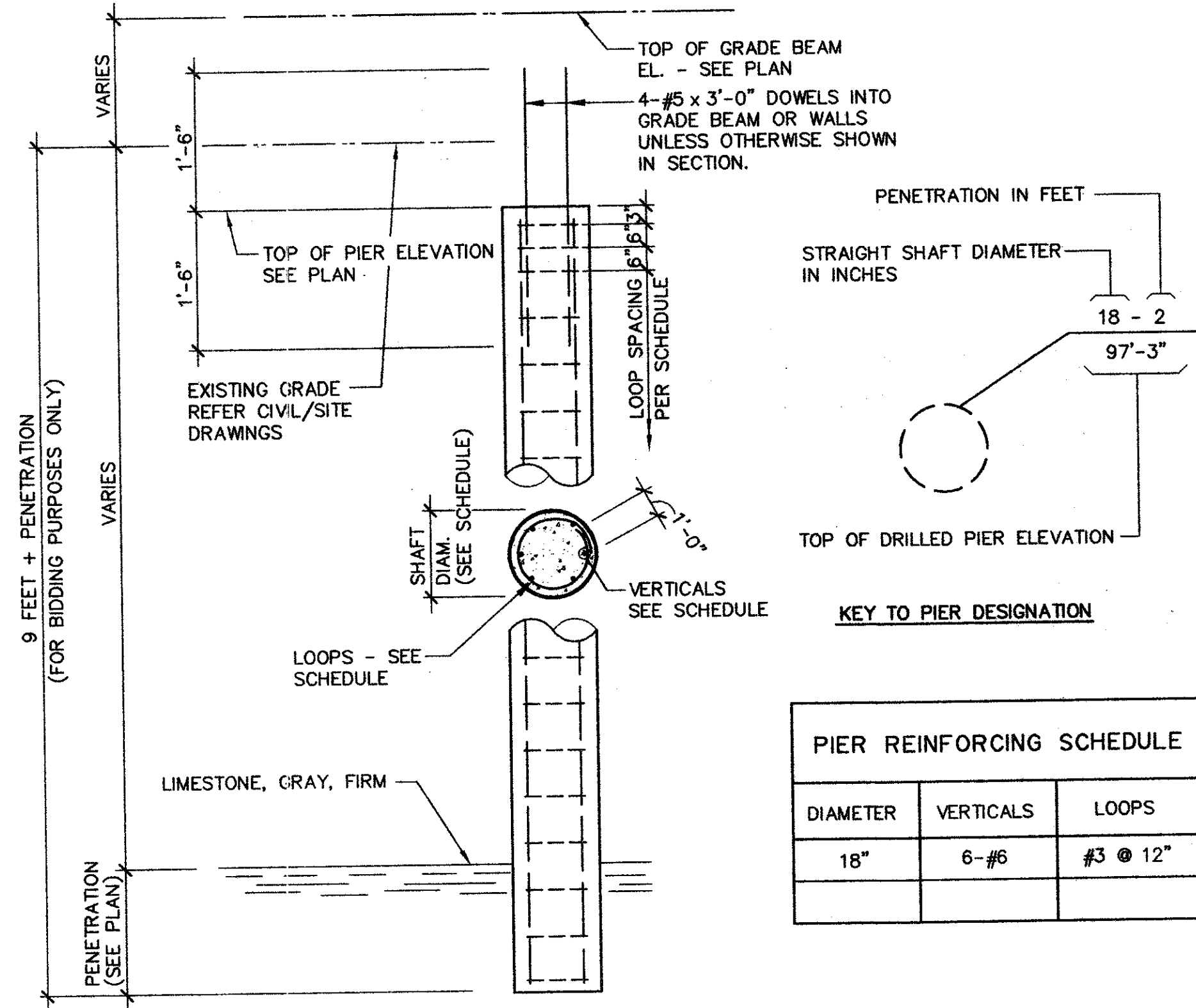
02 SECTION
SCALE: 3/4"=1'-0"



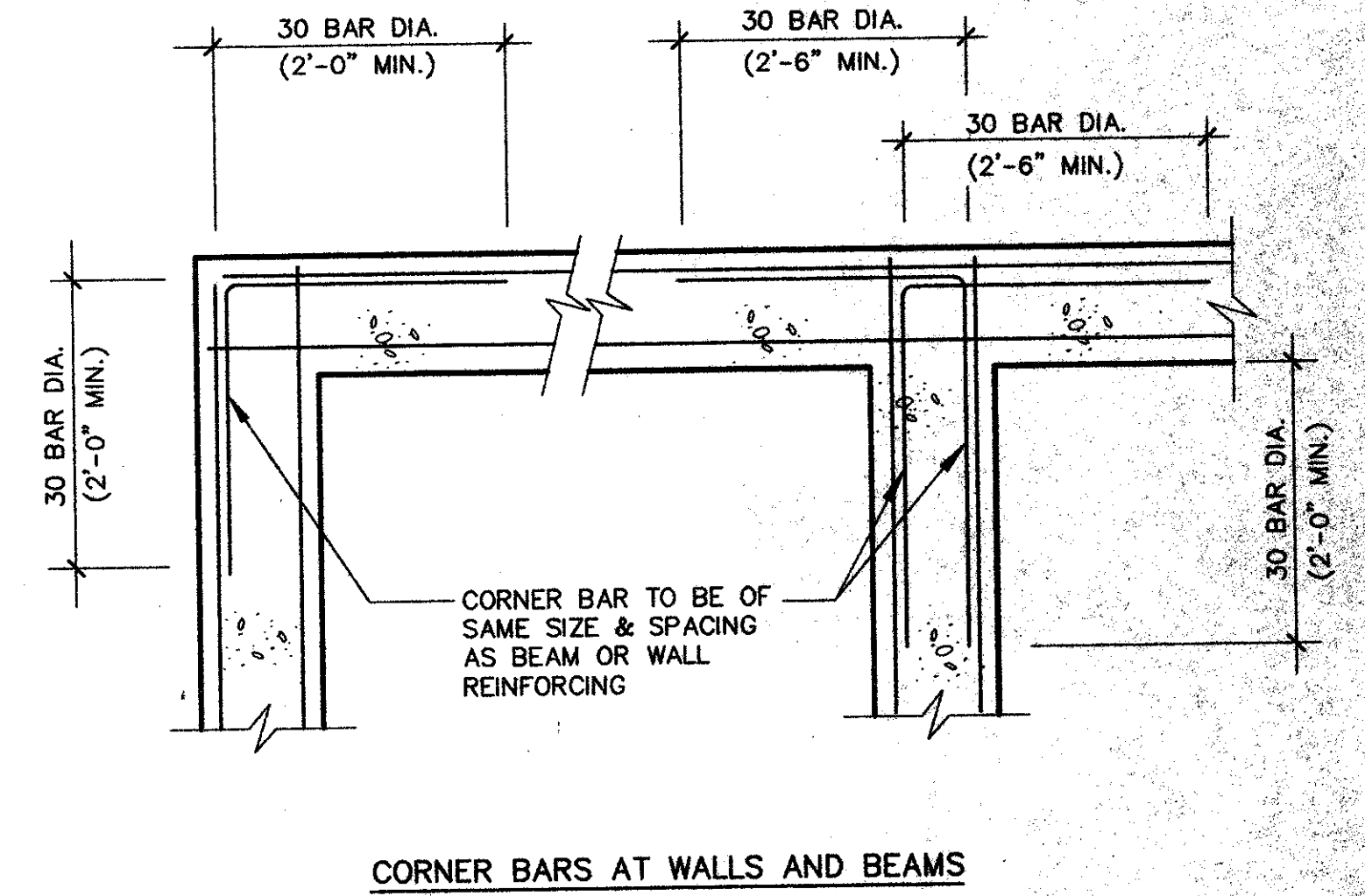
03 SECTION
SCALE: 3/4"=1'-0"



04 SECTION
SCALE: SCALE



05 TYPICAL DETAIL
NO SCALE



06 TYPICAL DETAIL
NO SCALE

P:\1998\98-104\STRUCT\98104S1.DWG / SC: 1/4"=1'-0" / FEB 10, 1998 / 4:43 PM

TOWN OF ADDISON, TEXAS
CELESTIAL ROAD PUMP STATION ADDITIONS
GENERATOR BUILDING
SHIMEK, JACOBS & FINKLEA, L.L.P.
CONSULTING ENGINEERS
Dallas, Texas

DESIGNED BY: J.O.M.	PROJECT: 97 180	SHEET NO. S-1
DRAWN BY: J.O.M.	DATE: FEBRUARY, 1998	OF SHEETS

