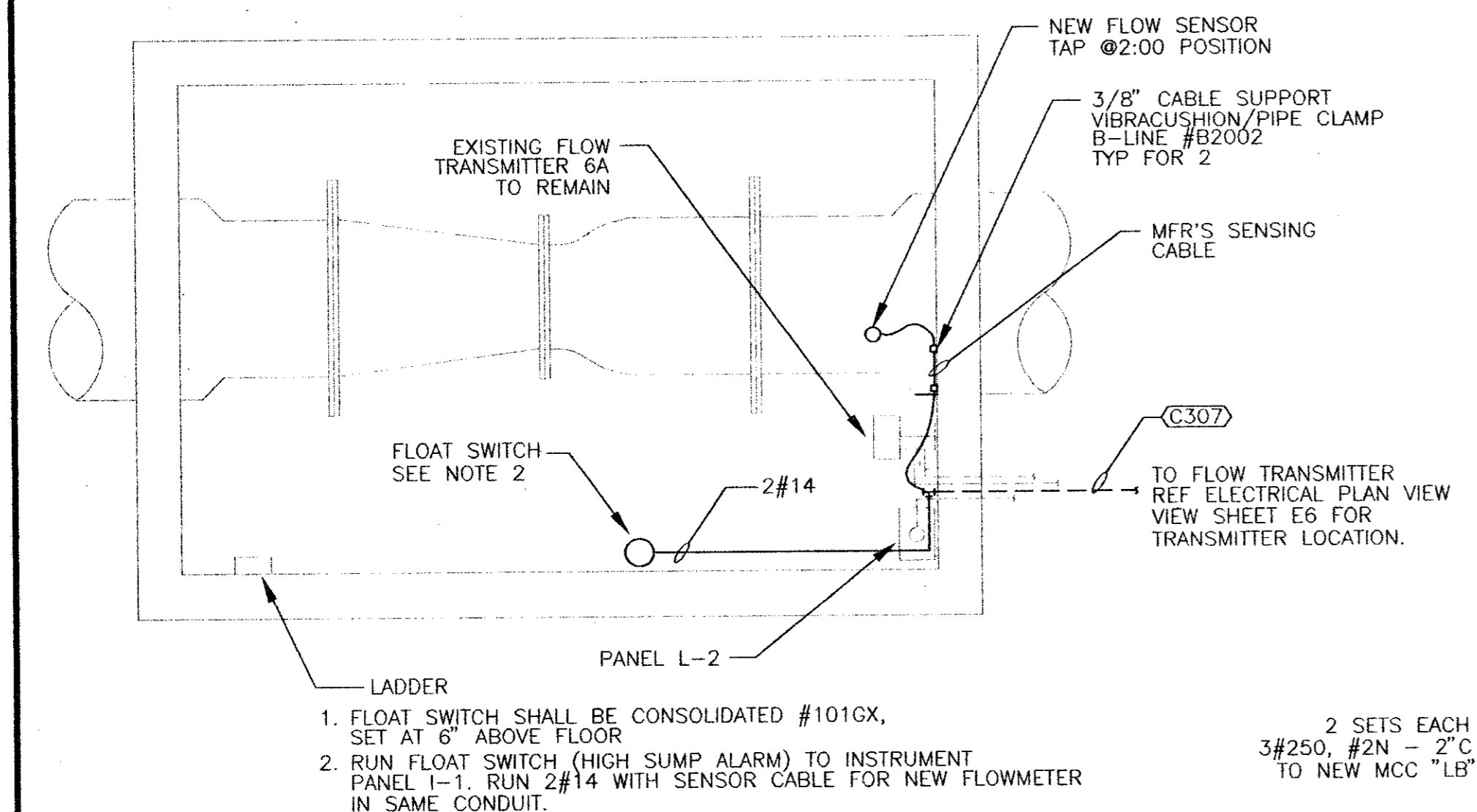
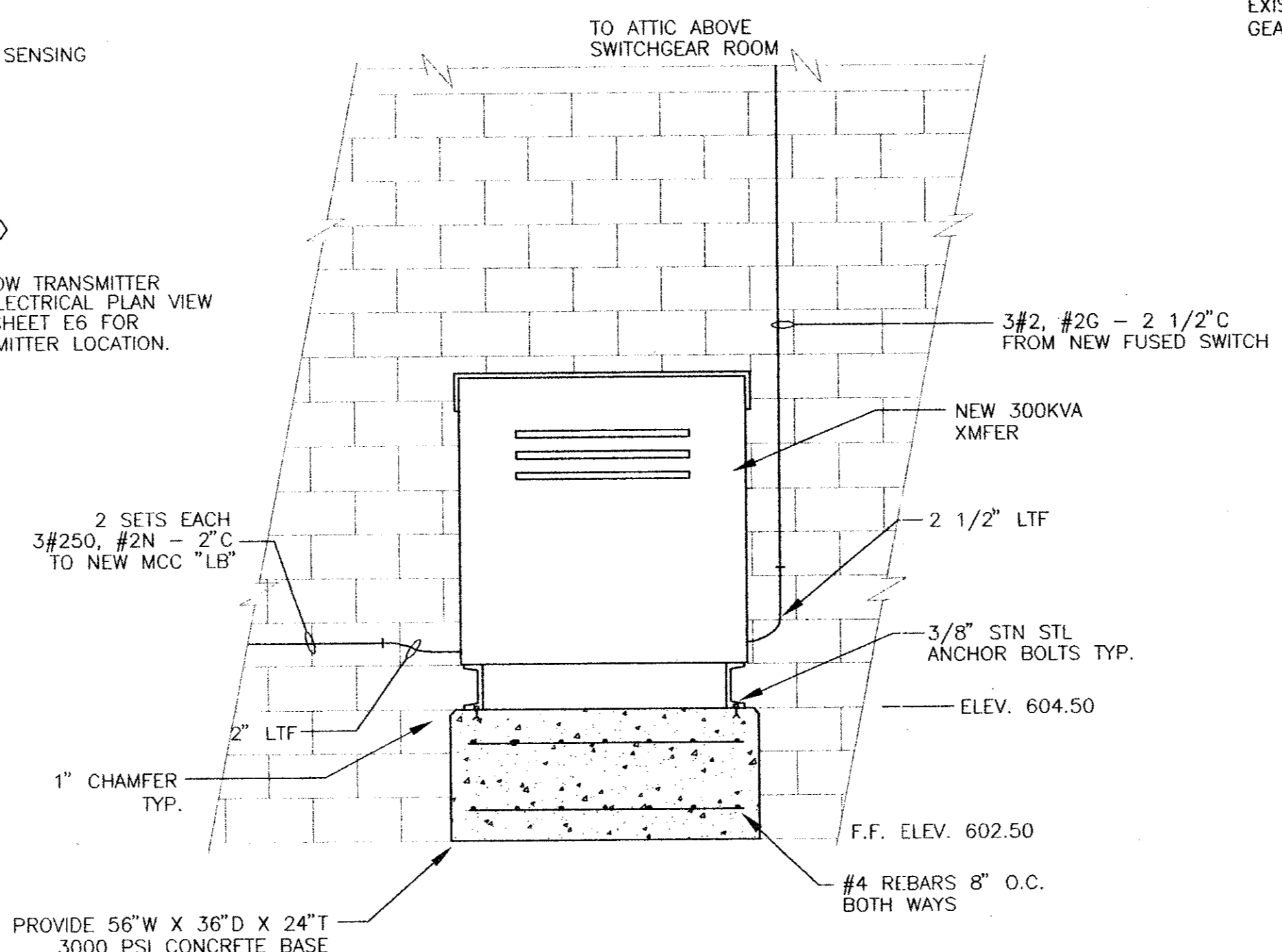


SECTION A-A
SCALE: 1/4" = 1'-0"



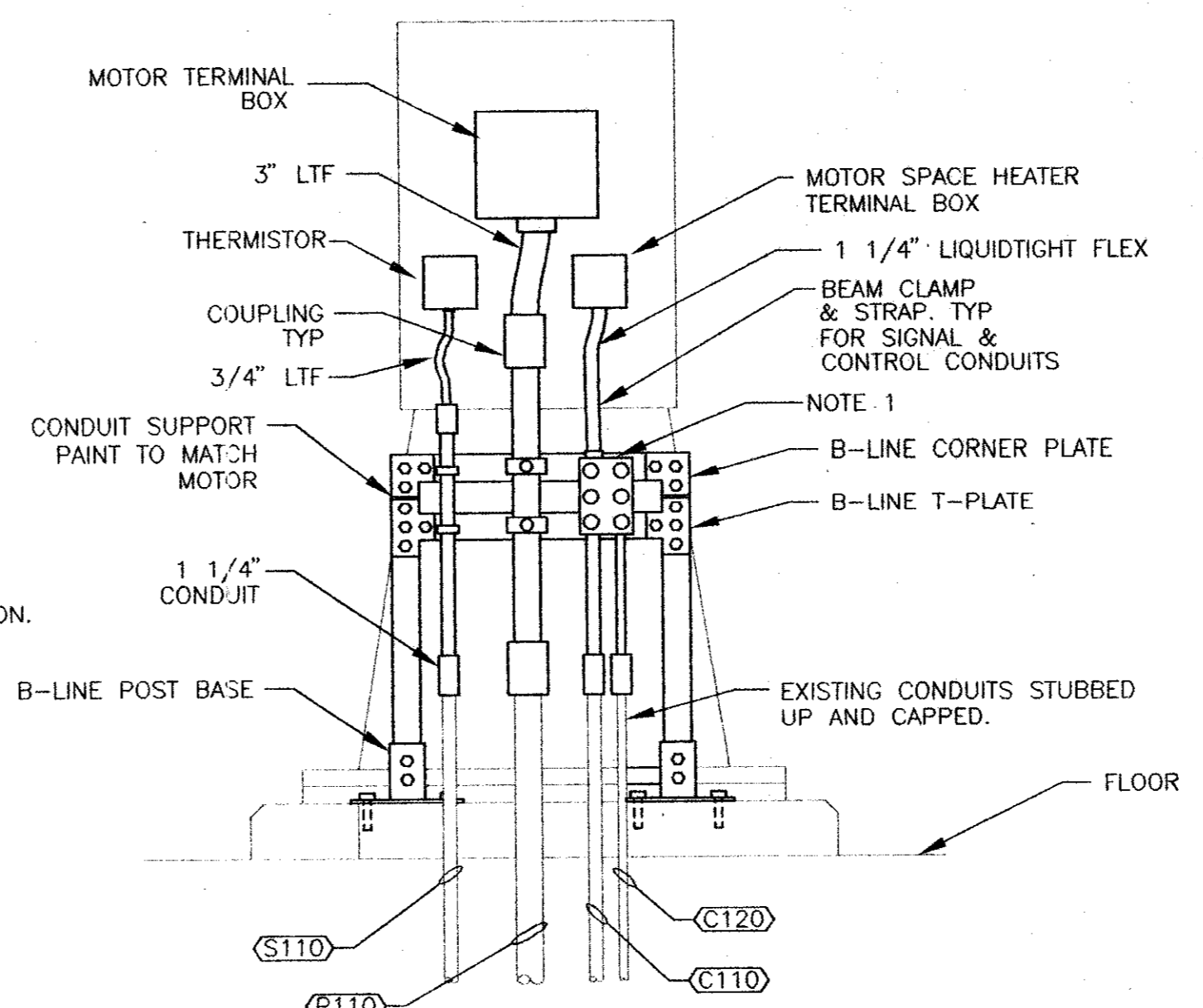
PLAN VIEW-EXISTING METER VAULT
NOT TO SCALE

- NOTES:
1. FLOAT SWITCH SHALL BE CONSOLIDATED #101GX, SET AT 6" ABOVE FLOOR
 2. RUN FLOAT SWITCH (HIGH SUMP ALARM) TO INSTRUMENT PANEL I-1. RUN 2#14 WITH SENSOR CABLE FOR NEW FLOWMETER IN SAME CONDUIT.



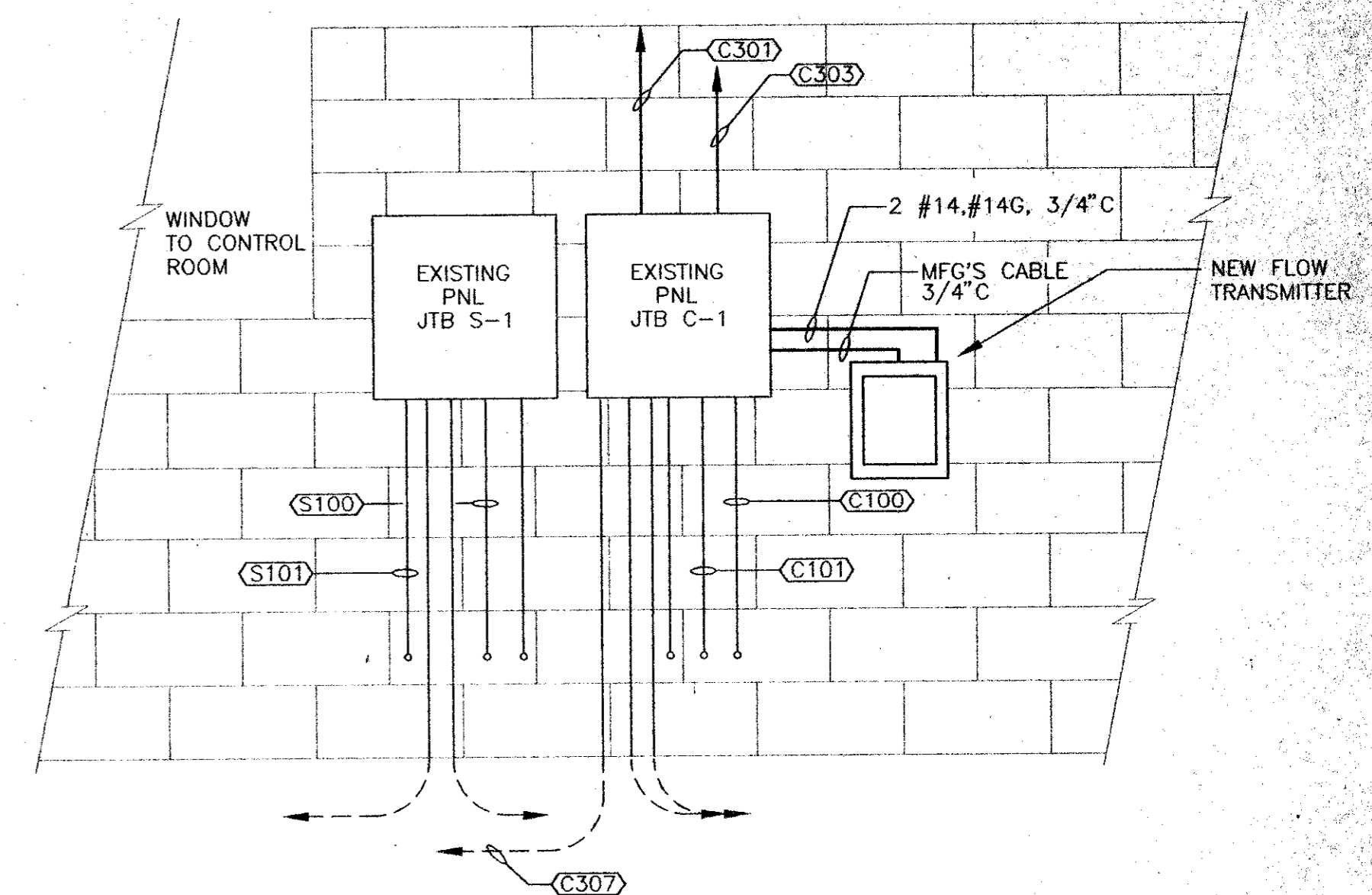
SECTION D-D
SCALE: 1/2" = 1'-0"

- NOTES:
1. PAINT NEW CONDUITS TO MATCH EXISTING WALLS.
 2. GROUND SECONDARY OF NEW TRANSFORMER TO NEW MCC "LB".



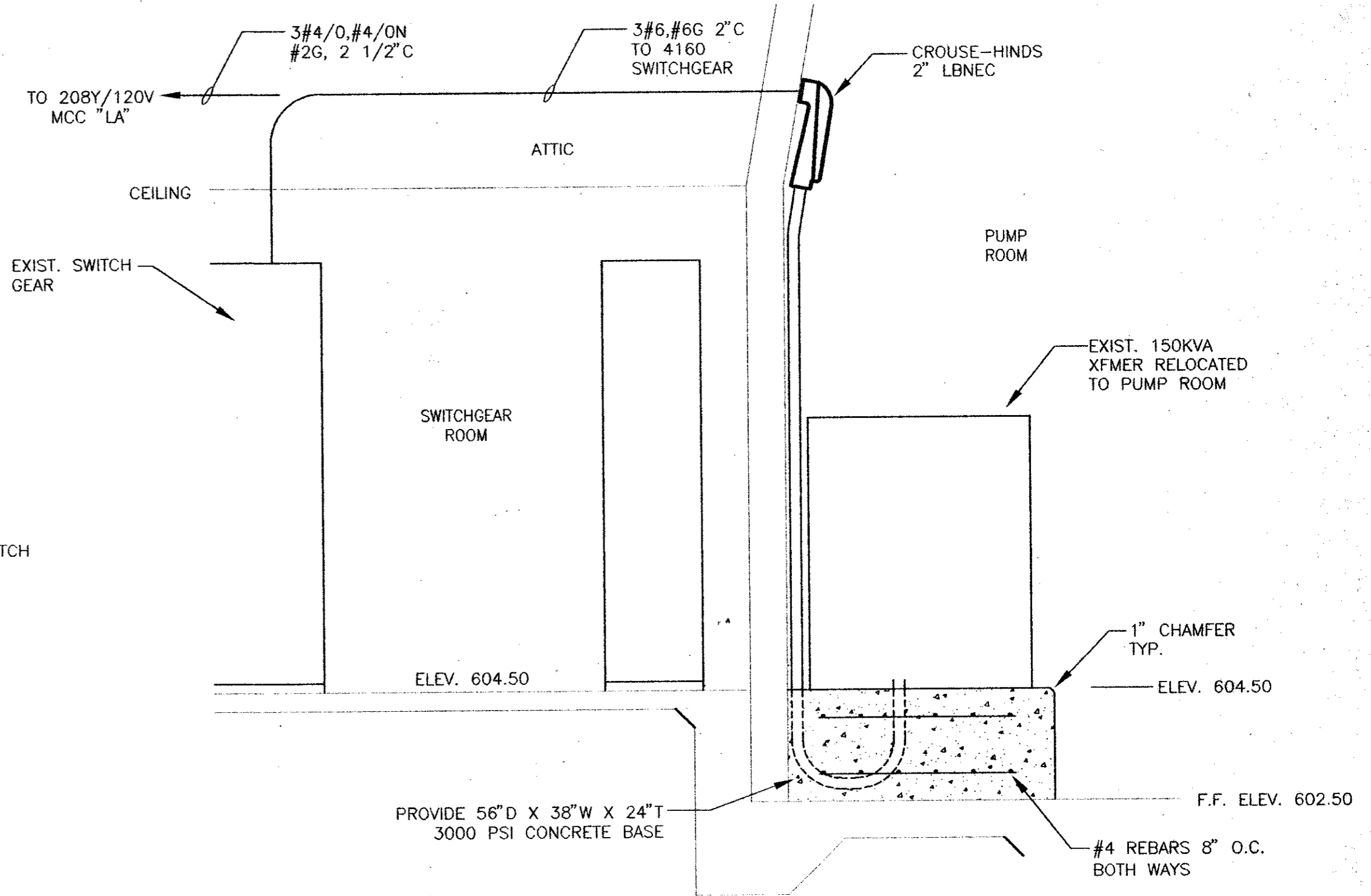
- NOTES:
1. NEMA 4X CONTROL STATION. 9 1/2"x6 1/4"x4 3/4". INSTALL CONTROL DEVICES AS FOLLOWS:
LEFT COLUMN TOP TO BOTTOM:
LOCAL-OFF-REMOTE
EMERGENCY STOP
PUMP FAULT LOCKOUT
RIGHT COLUMN TOP TO BOTTOM:
START
STOP
 2. TYPICAL FOR WP2 AND WP4.

SECTION B-B
NOT TO SCALE



- NOTES:
1. RUN MFG'S SENSOR CABLE IN EXISTING EMPTY CONDUIT (C307) TO THE METER VAULT FOR NEW FLOW METER. EXISTING FLOW METER TO REMAIN.
 2. REF METER VAULT PLAN VIEW THIS SHEET FOR LOCATION OF FLOW SENSOR.

SECTION C-C
SCALE: 3/4" = 1'-0"

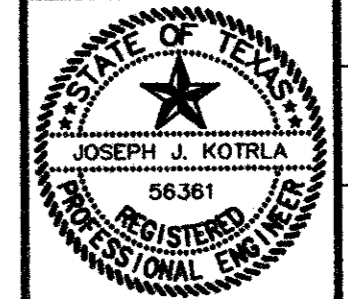


- NOTES:
1. ROUTE CONDUITS FOR LOW VOLTAGE CONNECTIONS SIMILAR TO HIGH VOLTAGE.

SECTION F-F
SCALE: 1/2" = 1'-0"

VERIFY SCALE
0 1
Bar is one inch on original drawing. If not one inch on this sheet, adjust scale.

THESE DOCUMENTS ARE FOR BIDDING, CONSTRUCTION, AND PERMIT PURPOSES.
DATE: 2-10-98



E8

TOWN OF ADDISON, TEXAS

CELESTIAL ROAD PUMP STATION ADDITIONS
SECTIONS & DETAILS

SHIMEK, JACOBS & FINKLEA, L.L.P.
CONSULTING ENGINEERS
Dallas, Texas

DESIGNED BY: J.J.K. PROJECT: 97 180 SHEET NO. 13
DRAWN BY: C.C.C. DATE: JANUARY, 1998 OF 13 SHEETS