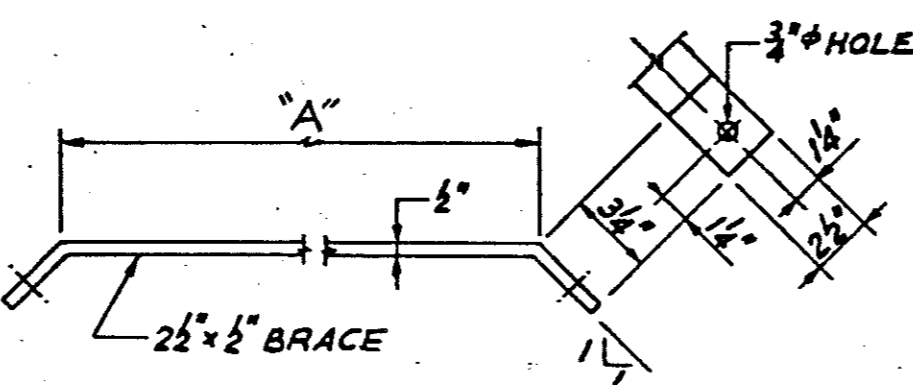
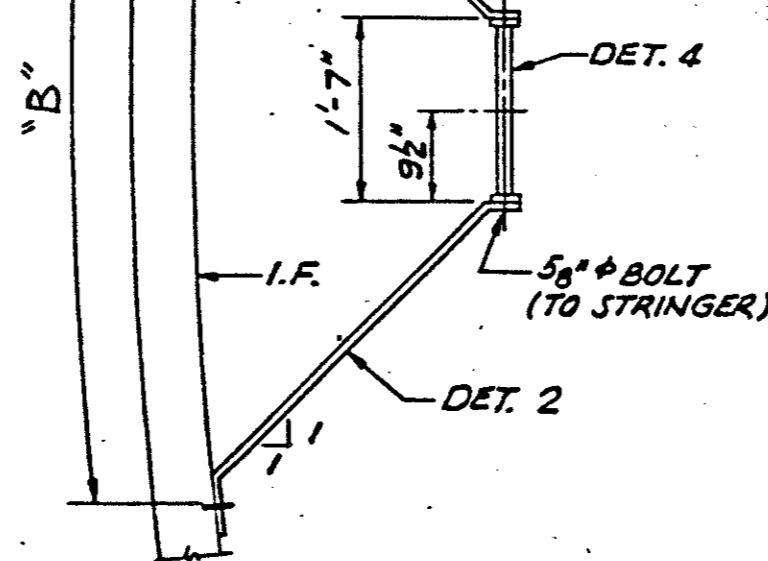
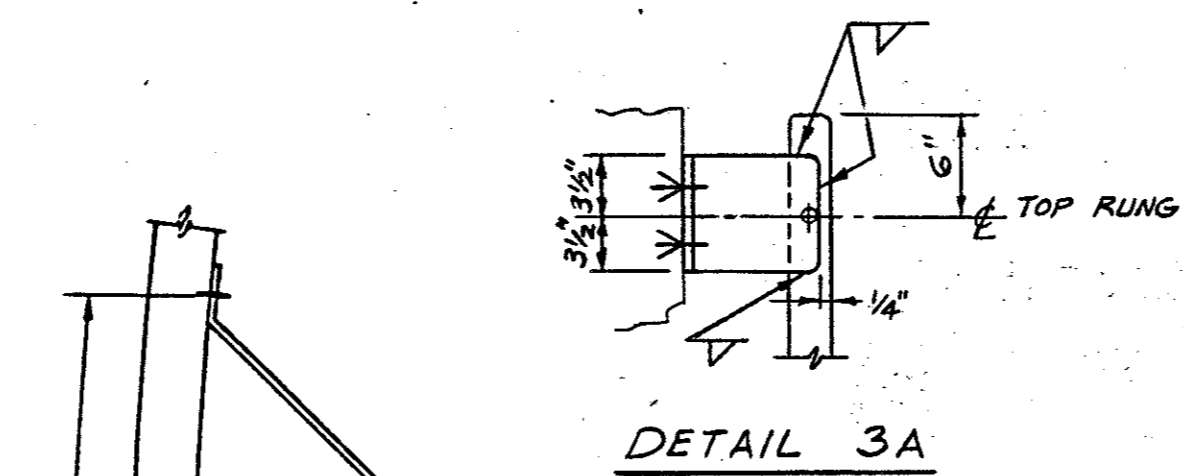
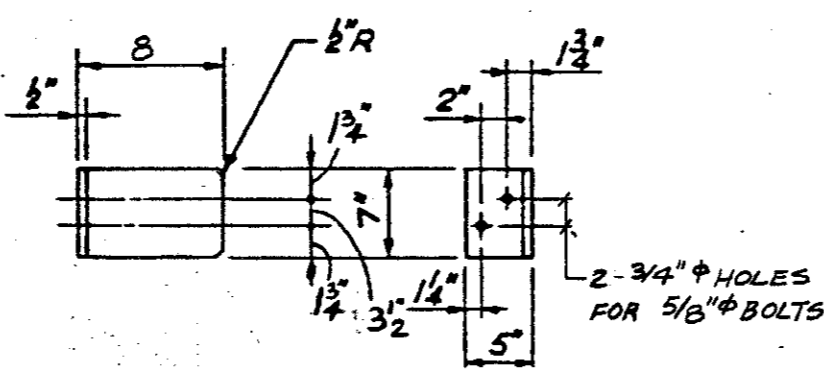


ELEVATION — INSIDE LADDER

- LADDER & COMPONENTS TO BE STAINLESS STEEL (TYPE 304).
 - HARDWARE TO BE STAINLESS STEEL.
- NOT TO SCALE



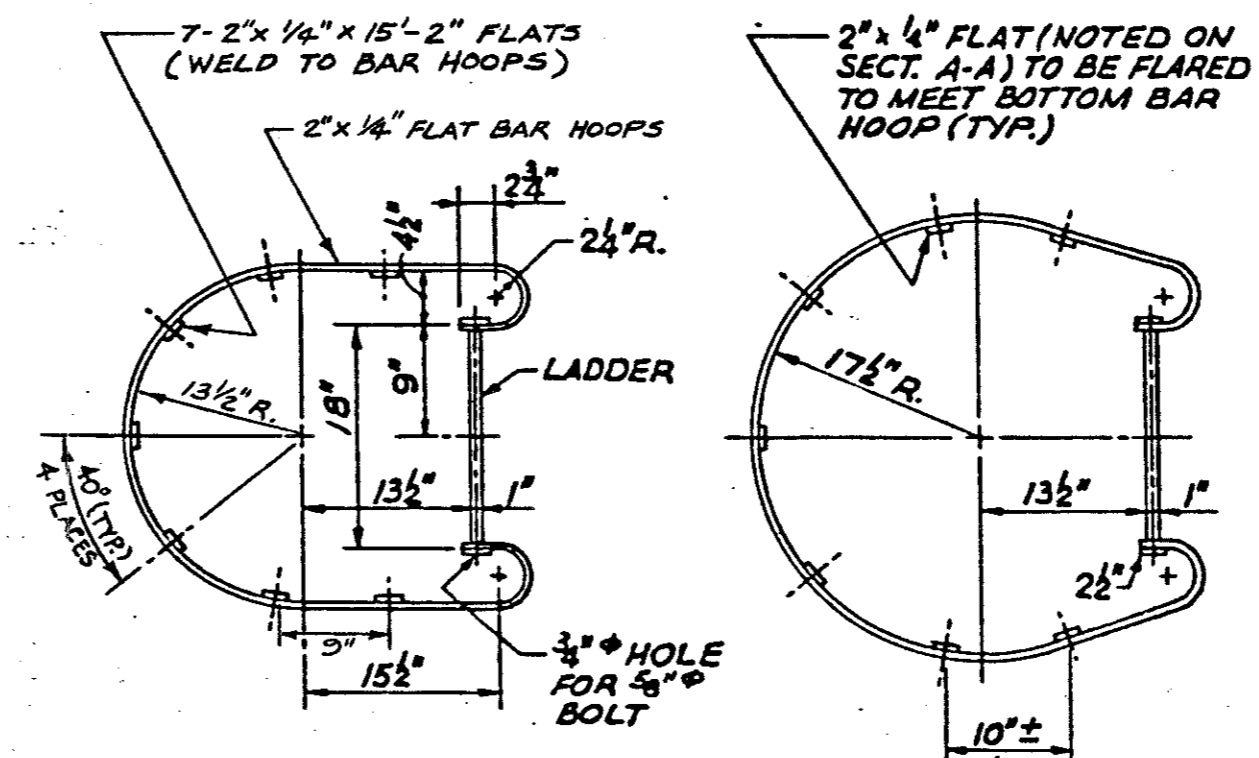
DETAIL 2
(16-LEGS, TOTAL)
2 EACH OF IL-1 TO IL-8



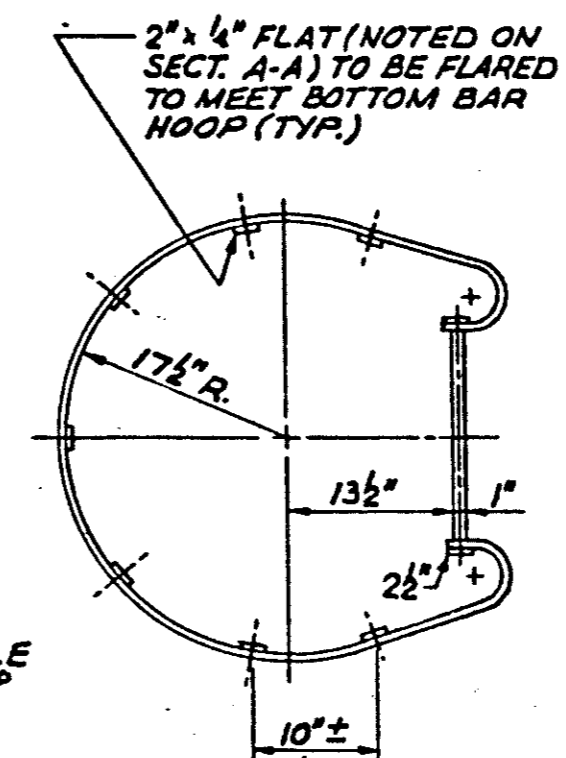
DETAIL 3
(1 - AS SHOWN)
(1 - OPP. HAND)

LADDER BRACE SCHEDULE

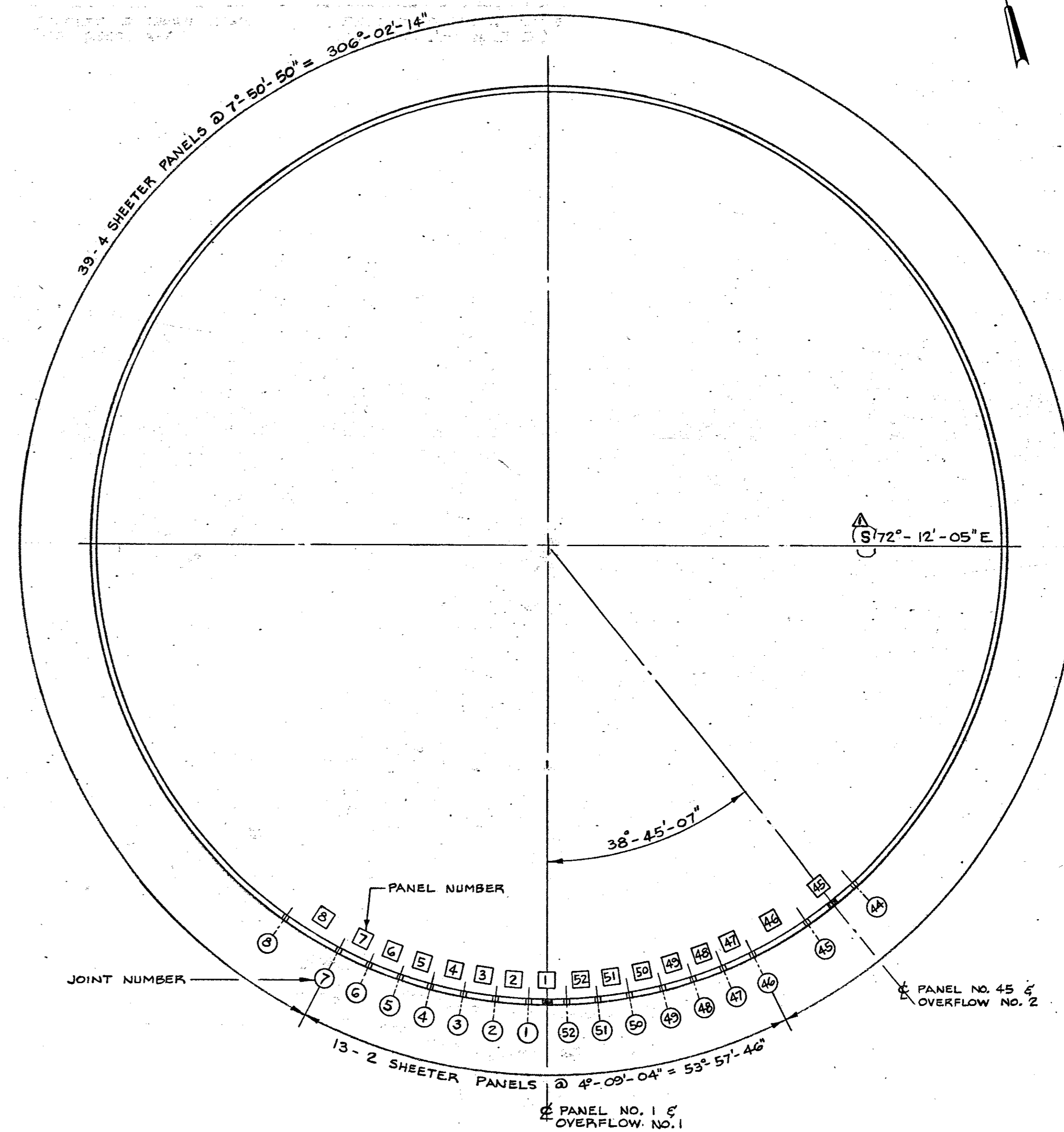
BRACE #	"A"	"B"
IL-1	4'-7 3/8"	8'-5 1/2"
IL-2	4'-8 3/8"	8'-6 3/8"
IL-3	4'-8 3/8"	8'-7 1/2"
IL-4	4'-9 3/8"	8'-7 3/4"
IL-5	4'-9 3/8"	8'-8 1/2"
IL-6	4'-10 3/8"	8'-9 3/8"
IL-7	4'-10 3/8"	8'-9 3/8"
IL-8	4'-11 3/8"	8'-10 3/8"



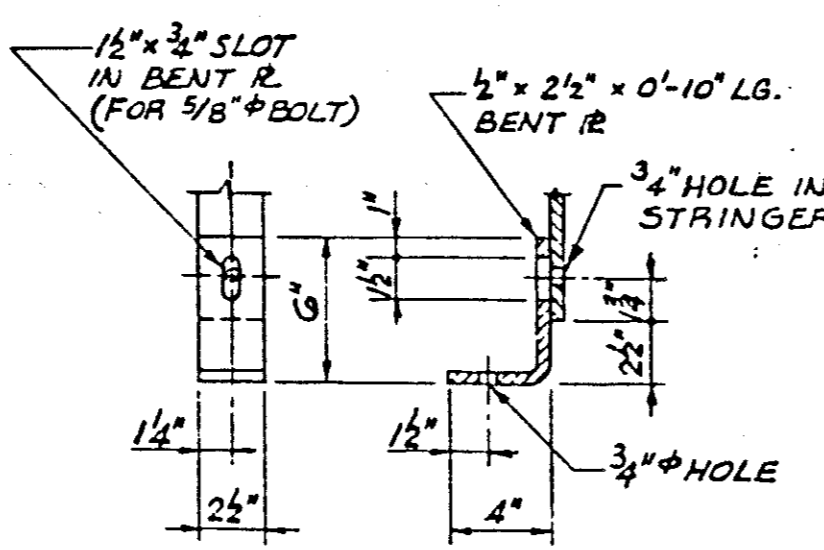
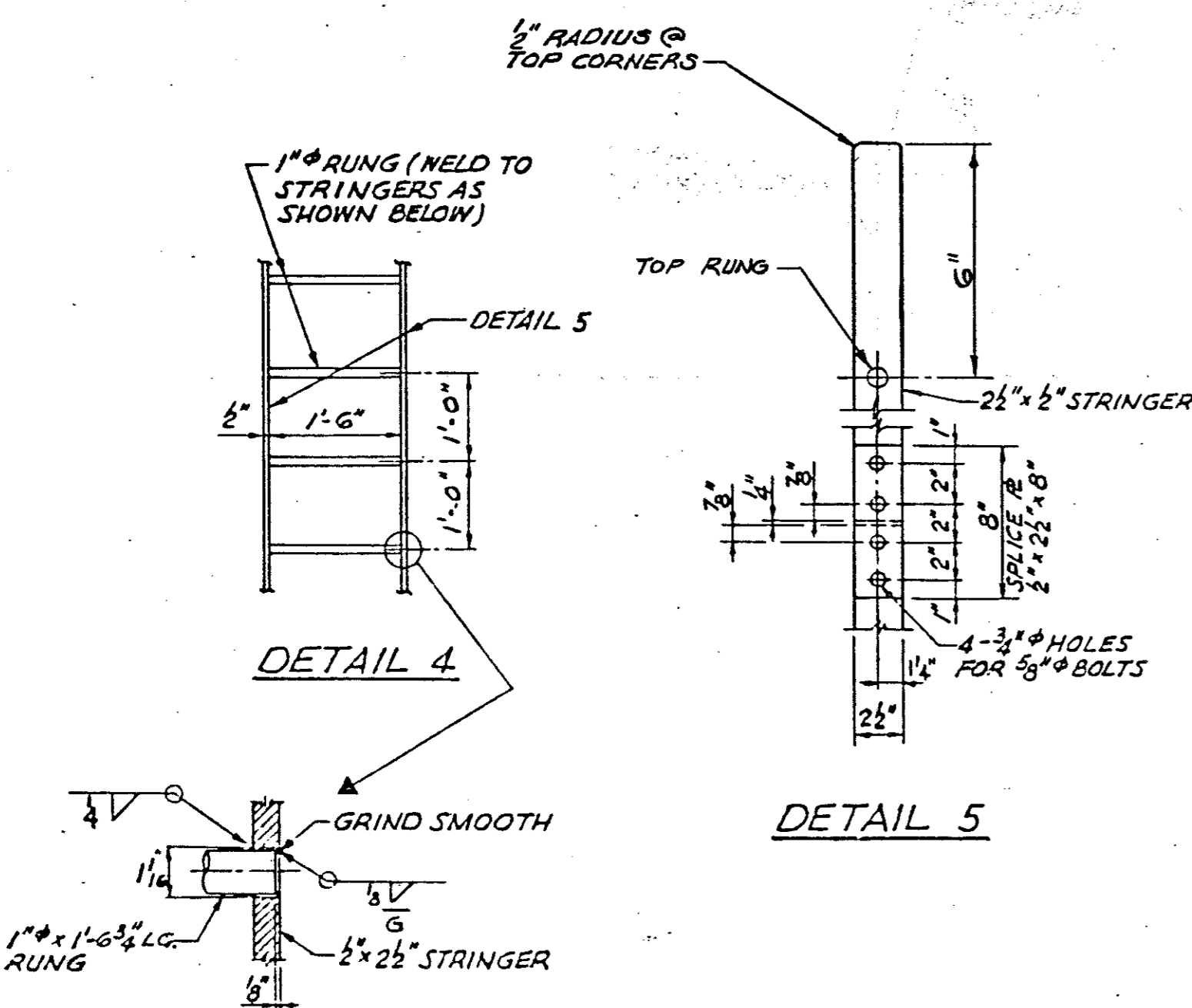
SECT. A-A TOP & INTERMEDIATE BAR HOOPS
TOTAL: 5 REQ'D



SECT. B-B BOTTOM BAR HOOP
TOTAL: 1 REQ'D (SAME AS SECT. A-A, EXCEPT AS SHOWN)



PANEL LAYOUT
SCALE: 1" = 20'



DETAIL 6
(2 THUS)

REVISIONS			
NO	DATE	DESCRIPTION	BY CKD
1	5/13/86	REVISED BEARING ON PANEL LAYOUT REVISED ELEV-INSIDE LADDER	E RAD



839 STEWART AVENUE, GARDEN CITY, NEW YORK, 11530

THIS DRAWING IS THE PROPERTY OF THE PRELOAD COMPANY, INC. AND/OR PRELOAD TECHNOLOGY, INC. AND IS SUBJECT TO RETURN ON DEMAND. IT CONTAINS FEATURES OF DESIGN WHICH ARE FULLY COVERED BY PATENTS AND PATENTS PENDING AND COPYRIGHTS. IT IS SUBMITTED FOR USE ONLY IN CONNECTION WITH PROPOSALS OR CONTRACTS OF PRELOAD OR ITS LICENSEES UPON THE EXPRESS CONDITION THAT IT MAY NOT BE USED ON ANY OTHER DIFFERENT PROJECTS WITHOUT PRIOR APPROVAL OF PRELOAD.

WORKING DRAWING			
ONE G.O.M.G. WATER STORAGE TANK ADDISON, TEXAS			
LADDER DETAILS & PANEL LAYOUT			
DRAWN: JD	SCALE: AS SHOWN	CONTRACT NUMBER: 86 PE 004	
DESIGNED: RAO	MTG:	DRAWING NUMBER: 83-007-7	
CHECKED: FD	DATE: 4-24-86		