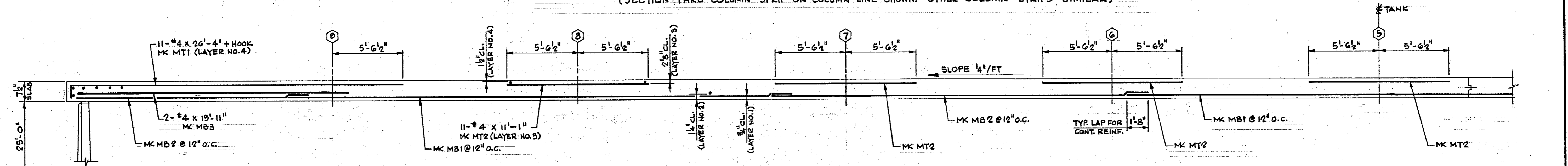
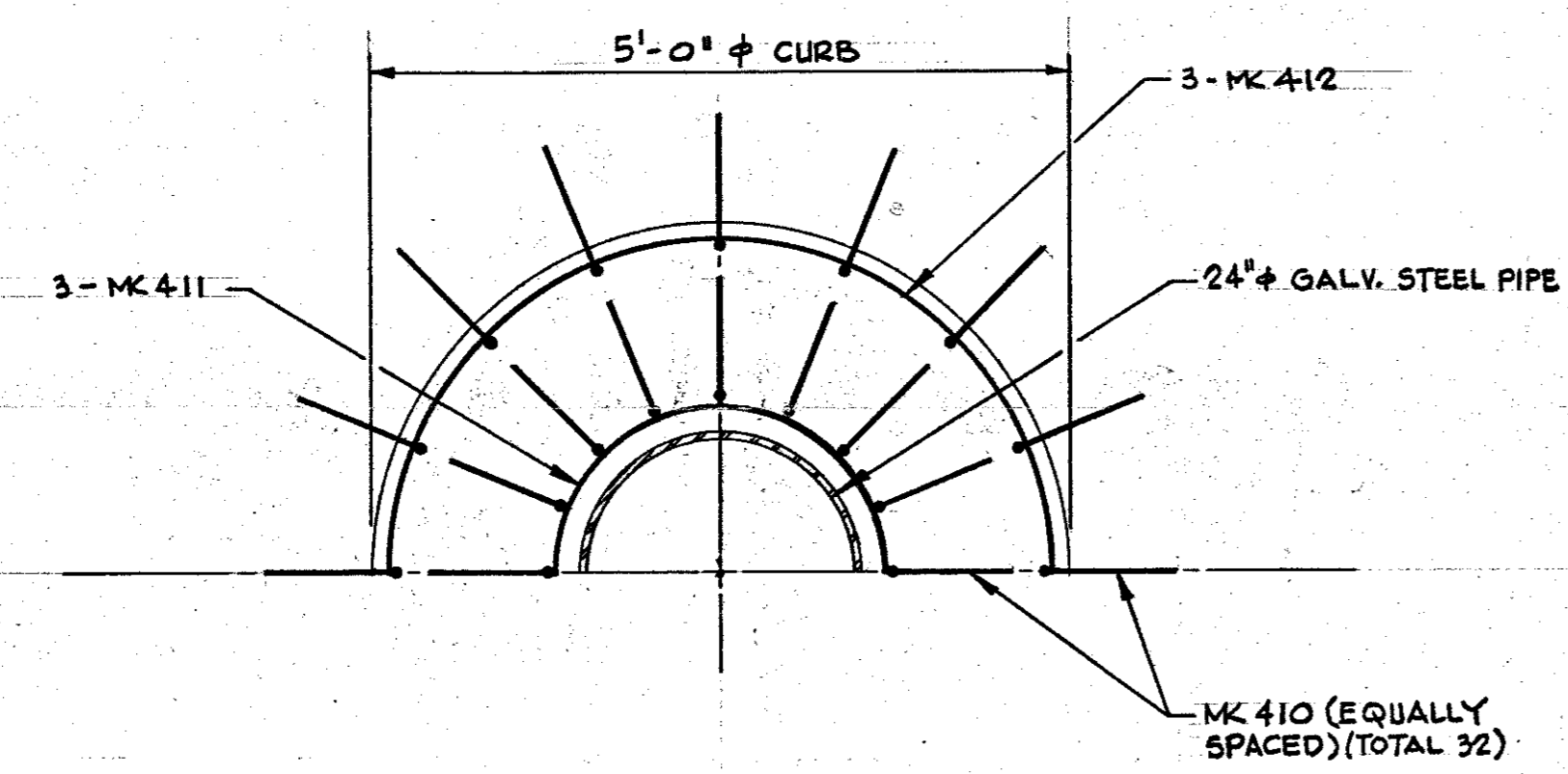


**SECTION B-B (SECTION THRU COLUMN STRIP)**  
 (SECTION THRU COLUMN STRIP ON COLUMN LINE SHOWN. OTHER COLUMN STRIPS SIMILAR)

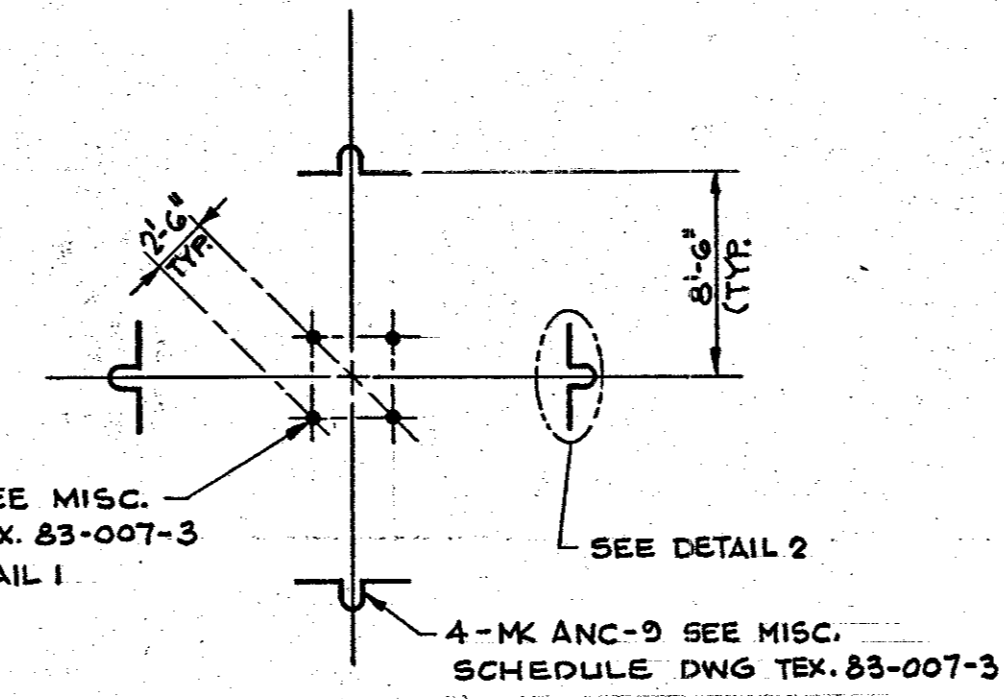


**SECTION C-C (SECTION THRU MIDDLE STRIP)**  
 SECTION THRU MIDDLE STRIP ABOVE COLUMN CENTERLINE SHOWN. OTHER MIDDLE STRIPS SIMILAR.

**NOTE:**  
 REINF. IN ALL LAYERS NOT SHOWN COMPLETELY FOR CLARITY

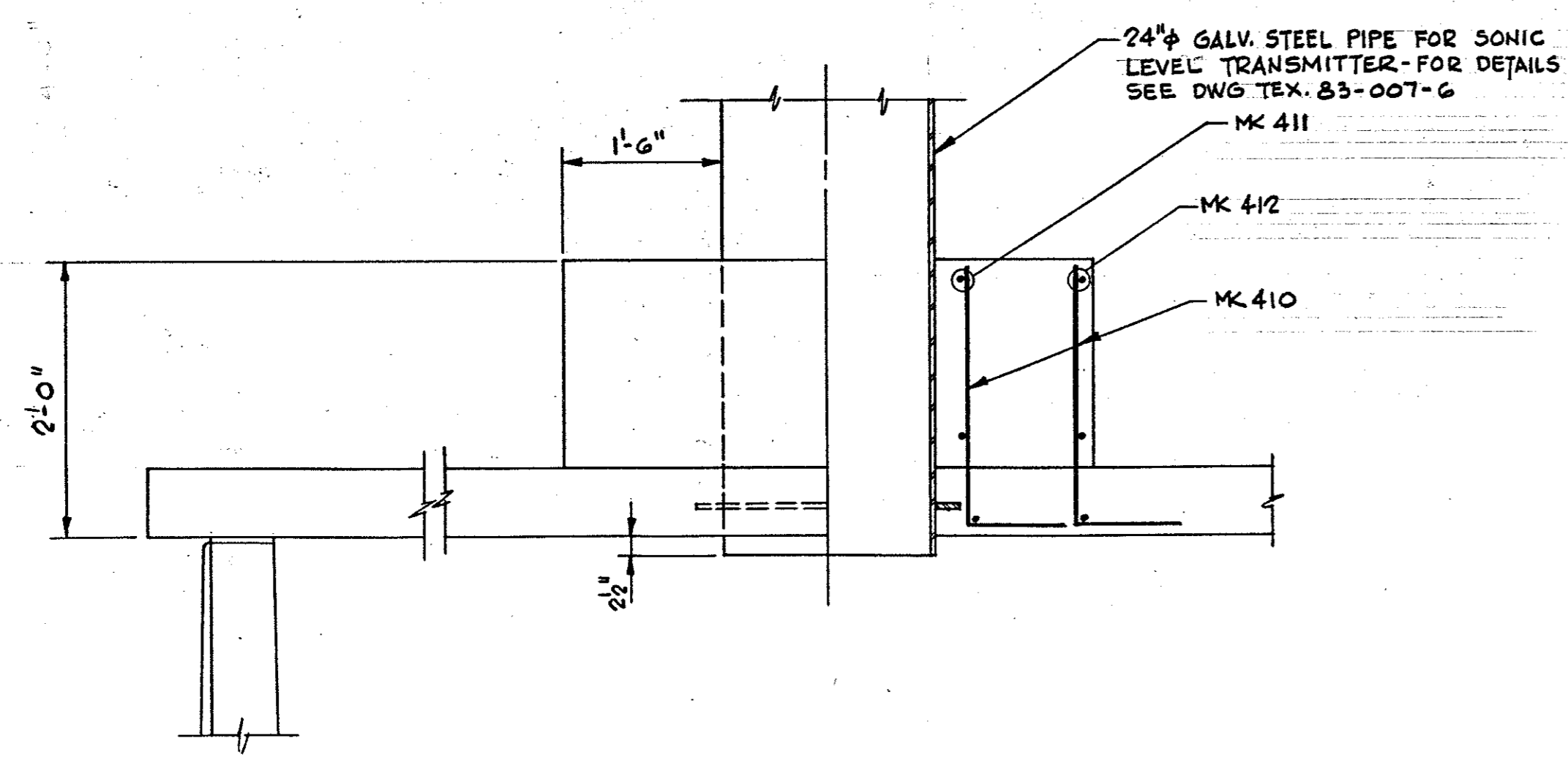


4-MK ANC-8 SEE MISC. SCHED. DWG TEX. 83-007-3 SEE ALSO DETAIL 1

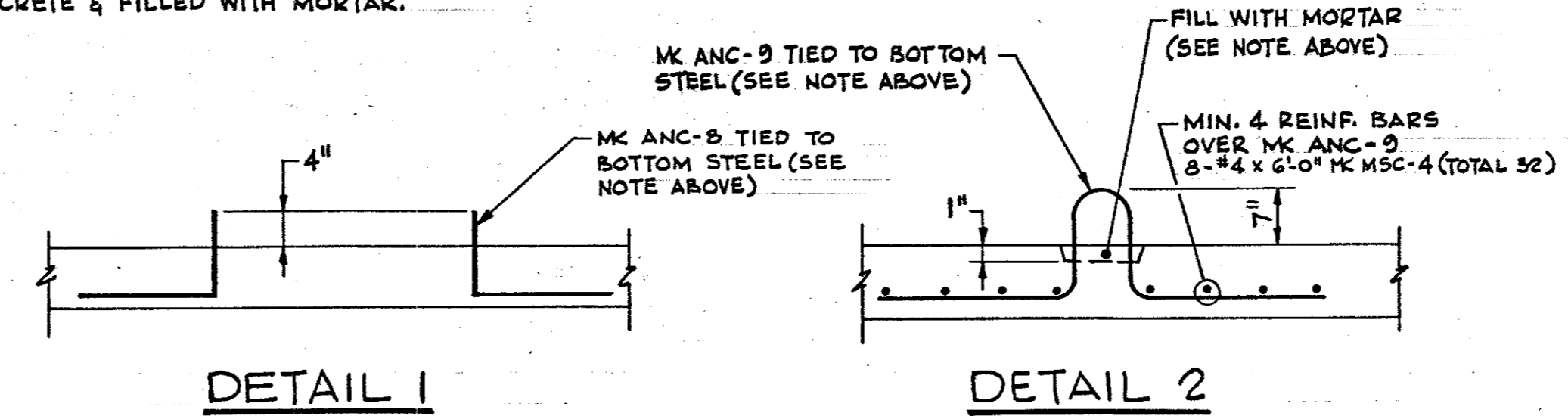


**WIREWINDER CENTER PIN ANCHORAGE ARRANGEMENT**

**NOTE:**  
 MK ANC-8 & MK ANC-9 ARE FOR SUPPORT OF CENTER PIN OF WIREWINDER. AFTER COMPLETION OF WORK MK ANC-8 & ANC-9 SHOULD BE CUT OFF TO 1" BELOW TOP OF CONCRETE & FILLED WITH MORTAR.



**SONIC LEVEL TRANSMITTER DETAIL**



**DETAIL 1**

**DETAIL 2**

WORKING DRAWING

ONE G.O.M.G. GROUND STORAGE RESERVOIR  
 ADDISON, TEXAS

ROOF SECTIONS

REVISIONS			
NO.	DATE	DESCRIPTION	BY CKD



839 STEWART AVENUE, GARDEN CITY, NEW YORK, 11530

THIS DRAWING IS THE PROPERTY OF THE PRELOAD COMPANY, INC. AND/OR PRELOAD TECHNOLOGY, INC. AND IS SUBJECT TO RETURN ON DEMAND. IT CONTAINS FEATURES OF DESIGN WHICH ARE FULLY COVERED BY PATENTS AND PATENTS PENDING AND COPYRIGHTS. IT IS SUBMITTED FOR USE ONLY IN CONNECTION WITH PROPOSALS OR CONTRACTS OF PRELOAD OR ITS LICENSEES. UPON THE EXPRESS CONDITION THAT IT MAY NOT BE USED ON ANY OTHER DIFFERENT PROJECTS WITHOUT PRIOR APPROVAL OF PRELOAD.

DRAWN: E SCALE: CONTRACT 86 PE 004  
 DESIGNED: RAO APPROVED: NUMBER: 83-007-12  
 CHECKED: FD DATE: 4/24/86