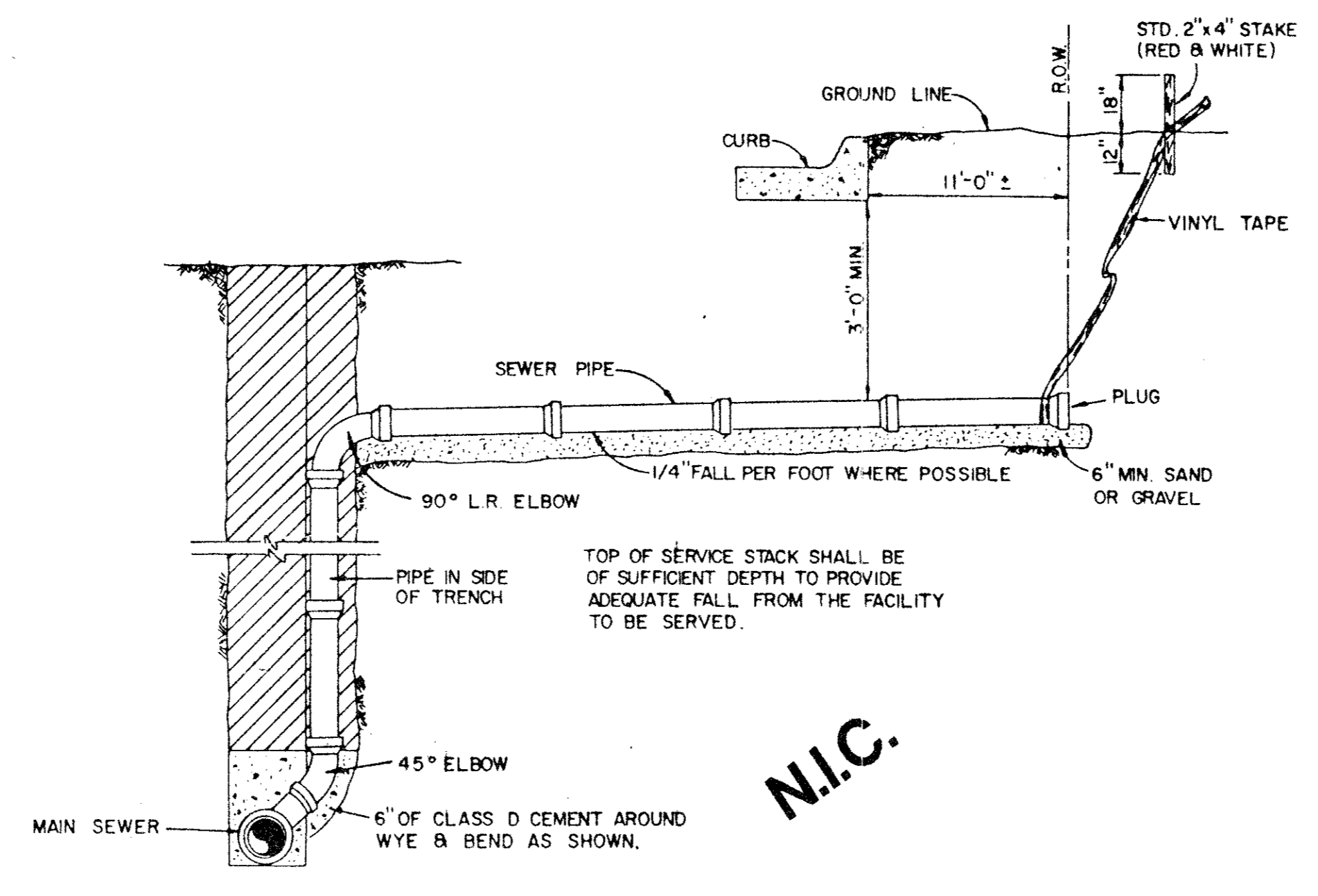
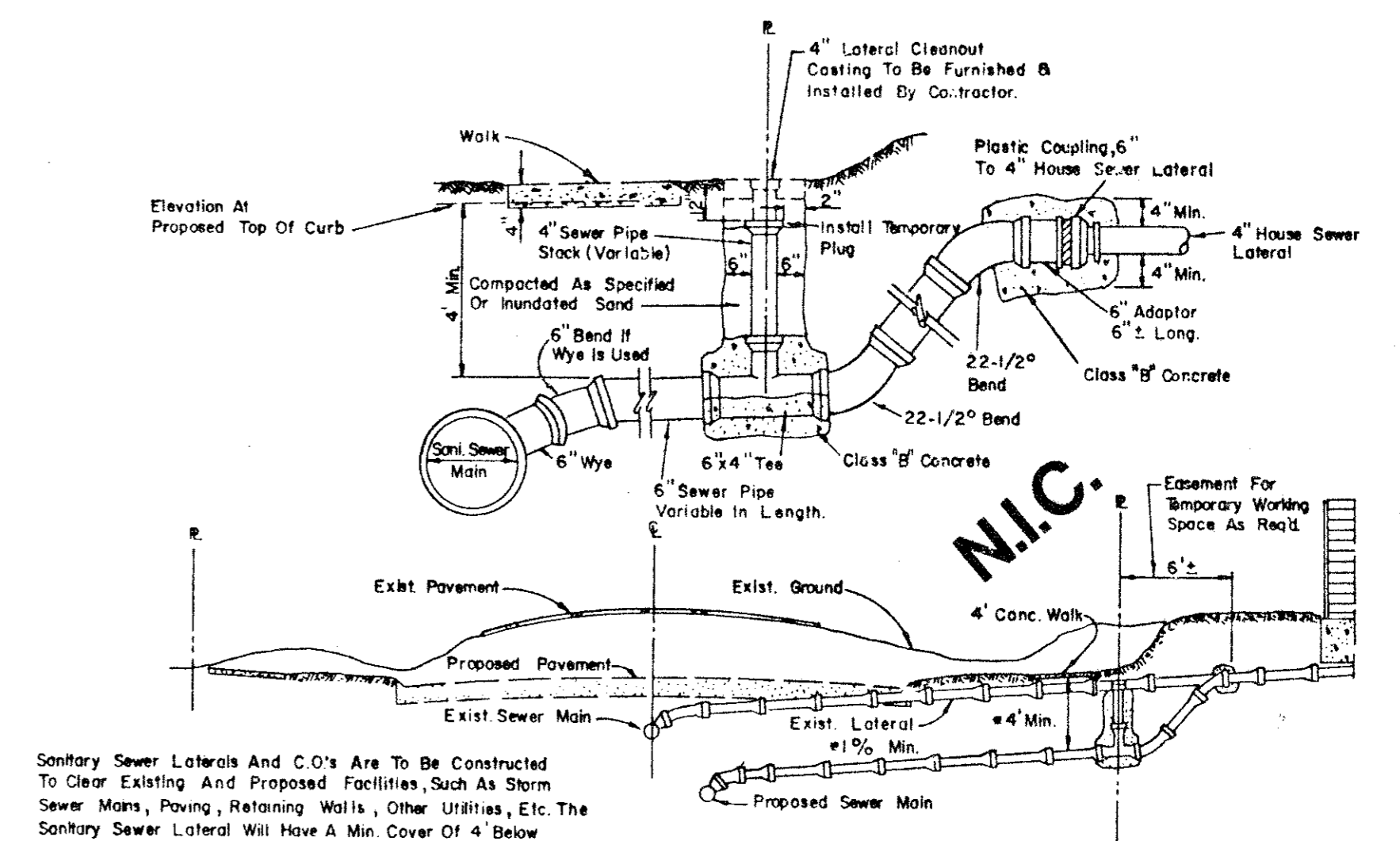


SANITARY SEWER SERVICE CONNECTION

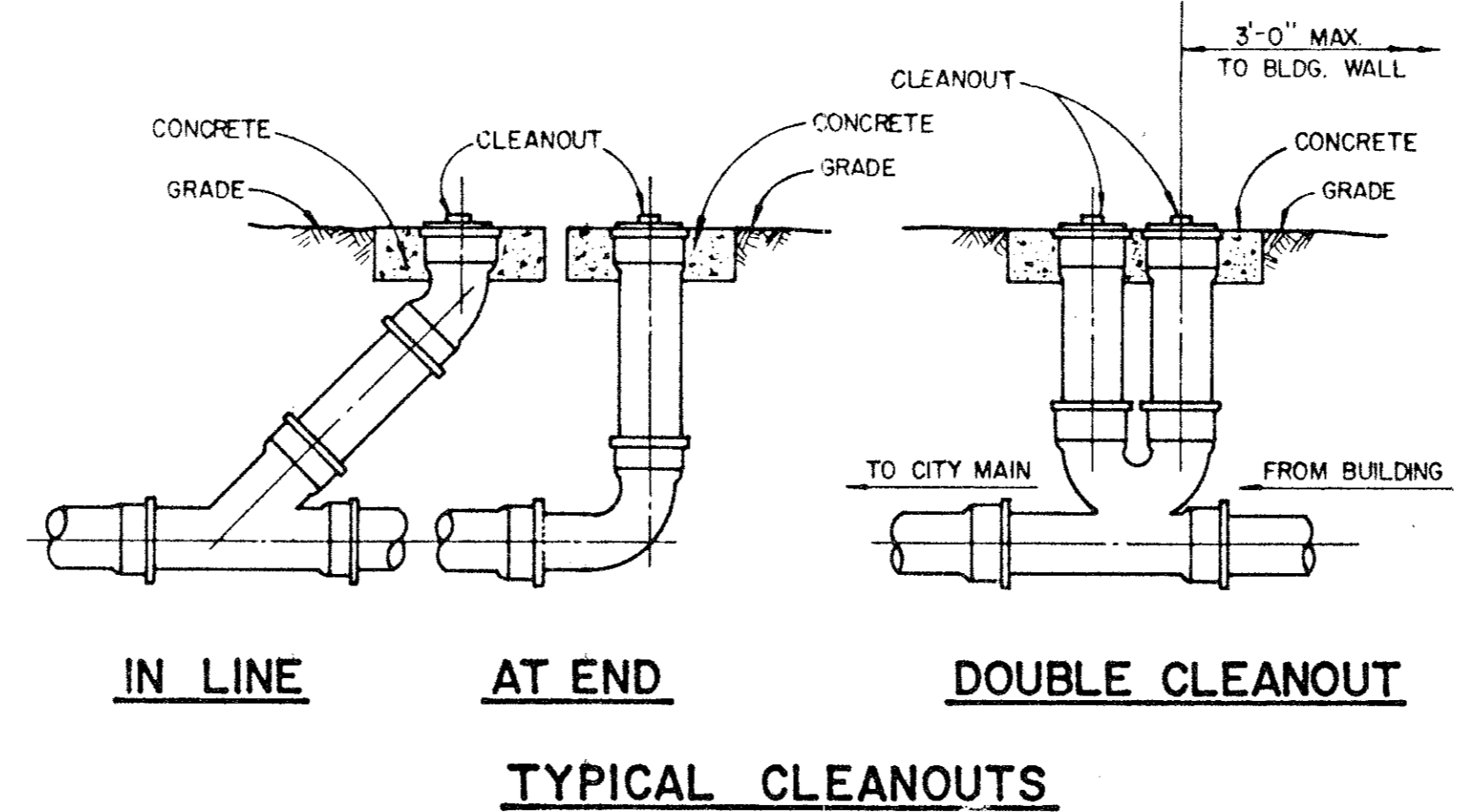
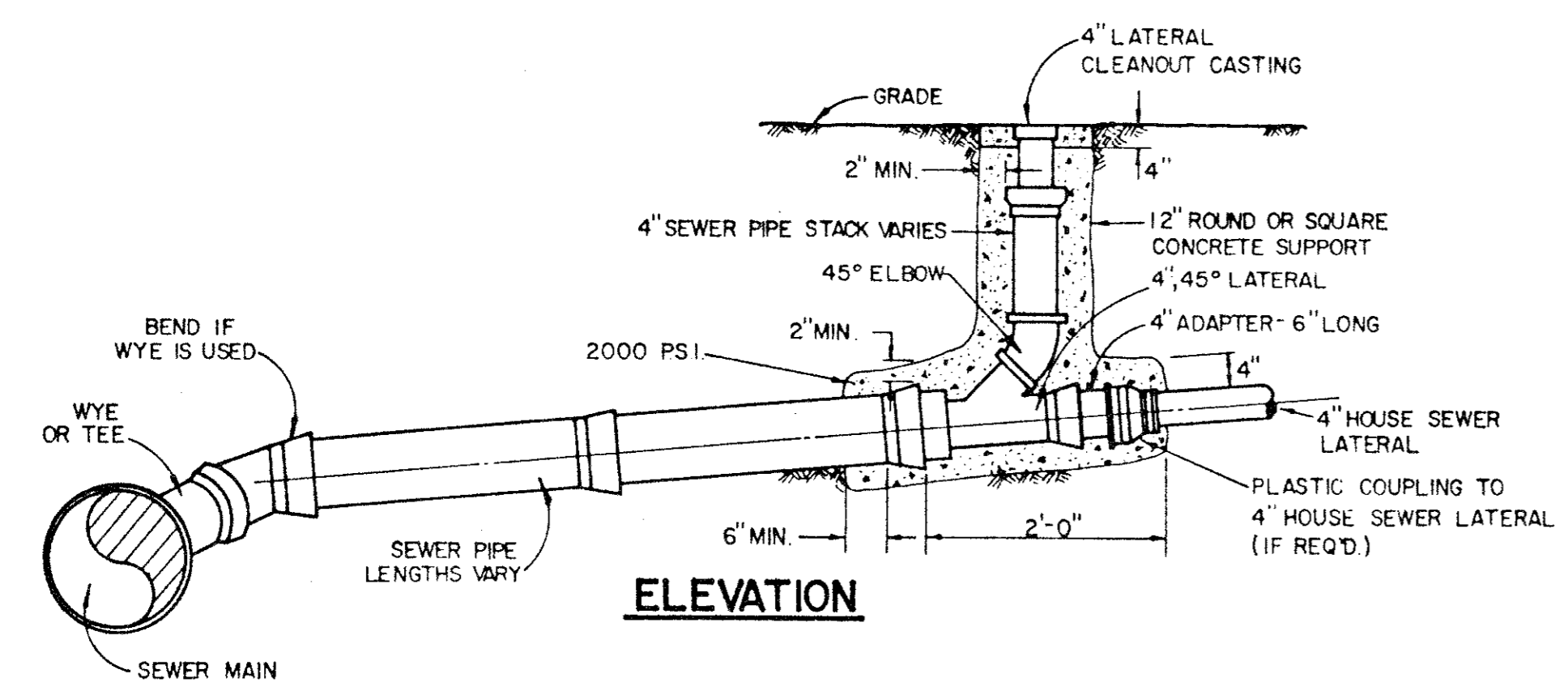
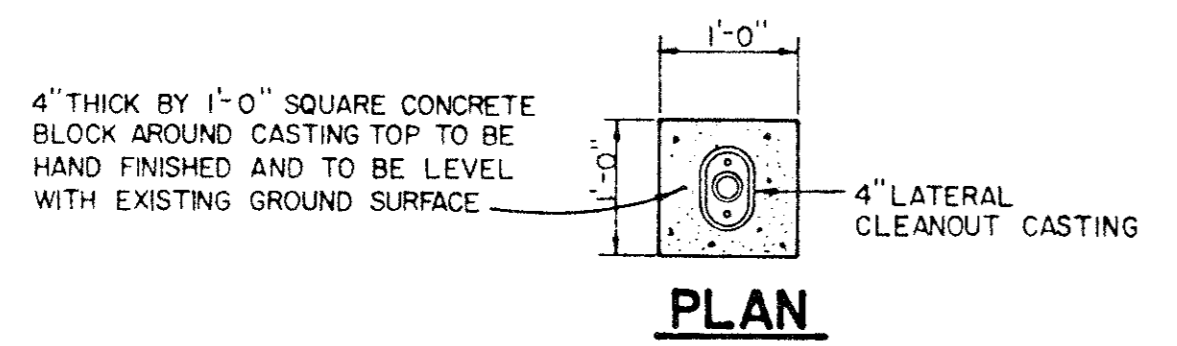


SANITARY SEWER DEEP SERVICE CONNECTION



SANITARY SEWER LATERAL REPLACEMENT

NOTE:
Cleanout To Be Installed On Property Line Except As Required To Avoid Conflict With Existing Or Proposed Facilities In Which Case The Location Shall Be Determined By The Engineer.



TYPICAL CLEANOUTS

AS BUILTS
I CERTIFY THIS PROJECT WAS CONSTRUCTED IN GENERAL CONFORMANCE WITH THESE CONSTRUCTION PLANS AND WILL FUNCTION AS DESIGNED.

ALL PVC SANITARY SEWER PIPE TO BE SDR 35 WITH INTEGRAL BELL.
IT SHALL BE THE RESPONSIBILITY OF THE CONTRACTOR TO FIELD LOCATE HORIZONTALLY EACH 4" SERVICE IN RELATION TO THE SANITARY SEWER STATIONING.
FIELD TIES ARE TO BE INCLUDED AND RECORDED ON ALUMINIZED SANITARY SEWER TAPE. THIS TAPE, GREEN OR RED IN COLOR IS TO BE ATTACHED TO THE 4" SERVICE AT THE ROW LINE AND BROUGHT TO THE SURFACE TO BE USED AS A PERMANENT MARKER.



TOWN OF ADDISON, TEXAS DEPARTMENT OF ENGINEERING			
STANDARD CONSTRUCTION DETAILS SANITARY SEWER			
LATERALS AND CLEANOUTS			
Designed -	Drawn -	Date - AUGUST, 1991	Job No. - 90025-4
Approved -	Checked -	Scale -	Sheet D-7 Of