

NOTE:

PROVIDE 1" MINIMUM THICKNESS CONCRETE OR CEMENT MORTAR COATING IN THE FIELD FOR THE PROTECTION OF ALL EXPOSED STEEL SUCH AS FLANGES, CAULKED JOINTS, THREADED OUTLETS, CLOSURES, ETC. THE CEMENT MORTAR USED SHALL CONSIST OF ONE PART PORTLAND CEMENT TO TWO AND ONE-HALF PARTS OF FINE, SHARP (PLASTER) SAND. WHERE SHOWN, COATING IS TO BE REINFORCED WITH WIRE MESH.

STEEL STRAP THREADED THROUGH HEM OF BURLAP WRAPPER, DRAWN TIGHT AND FASTENED.

BURLAP WRAPPER AS MANUFACTURED BY MAR-MAC CORP. OR EQUAL. WIDTH OF WRAPPER TO BE 9" FOR 36" PIPE AND LARGER, 7" FOR 33" AND SMALLER.



CEMENT MORTAR, MIXED TO A CONSISTENCY OF THICK CREAM, TO BE POURED IN FIELD.

CEMENT MORTAR OF STIFF CONSISTENCY PLACED IN THE FIELD.

STANDARD RUBBER GASKET JOINT

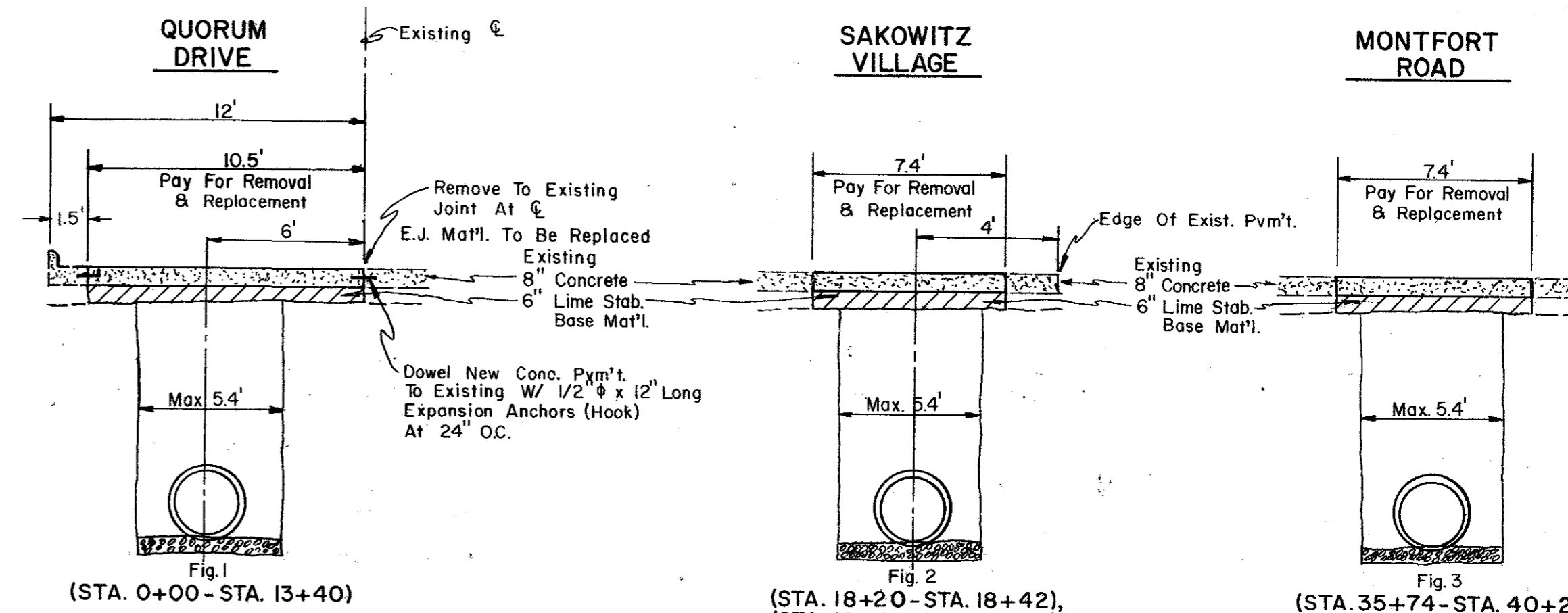
Pay Item No. 101.1 Saw, Remove And Replace Concrete

Contractor shall saw and remove existing 8" reinforced concrete pavement 10.5 feet from existing expansion joint to 1.5' feet from back of curb as required to construct the waterlines as shown on detail drawing Fig. 1.

Saw and remove existing 8" concrete pavement as required to construct the waterlines as shown on detail drawing Fig. 2, Fig. 3.

After proper backfill is completed, a 6" minimum lime-treated base shall be constructed. A 6" minimum reinforced concrete shall be placed as shown on top of the base and shall match existing grade as shown on detail drawing. See Figures 1, 2 & 3.

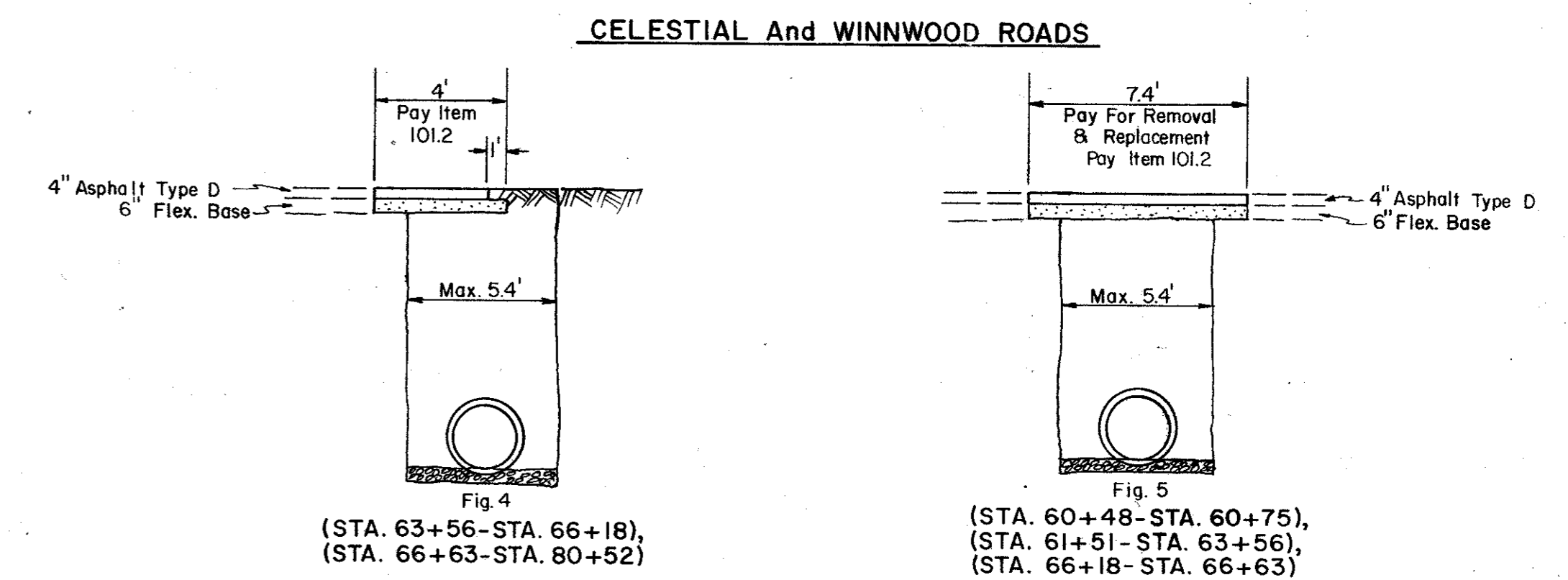
NOTE: All Concrete Shall Be 3000 psi At 28 Days W/ Reinforcement To Be # 3 At 24" O.C., Each Way.



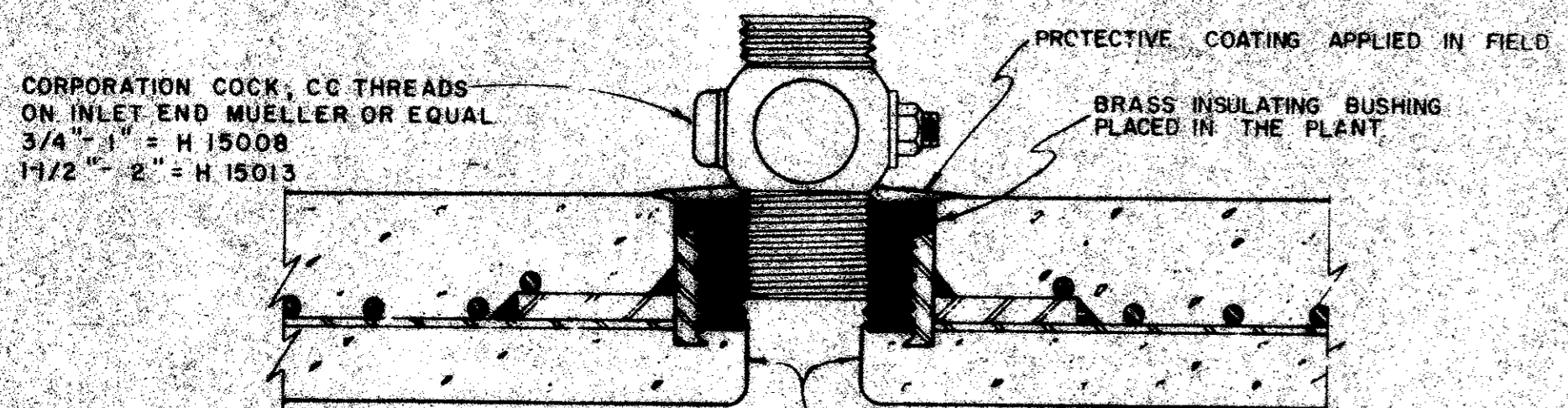
Pay Item No. 101.2 Saw, Remove And Replace Asphalt

1 - Contractor shall saw and remove existing asphalt pavement as required to construct the waterline as shown on detail drawing.

2 - After proper backfill is completed, minimum 6" of flex. base shall be placed in the excavation on top of the backfill and 4" minimum asphalt shall be placed on top of the flexural base as shown on the detail drawing. See Figures 4 & 5.



NOTE: ALL CLOSURE SECTIONS SHALL BE FABRICATED WITH HAND HOLES TO ALLOW WIPING INSIDE OF JOINTS AFTER CLOSURE IS IN PLACE.



CORPORATION COCK, CO THREADS ON INLET END MUELLER OR EQUAL 3/4" - 1" = H 15008 1 1/2" - 2" = H 15013

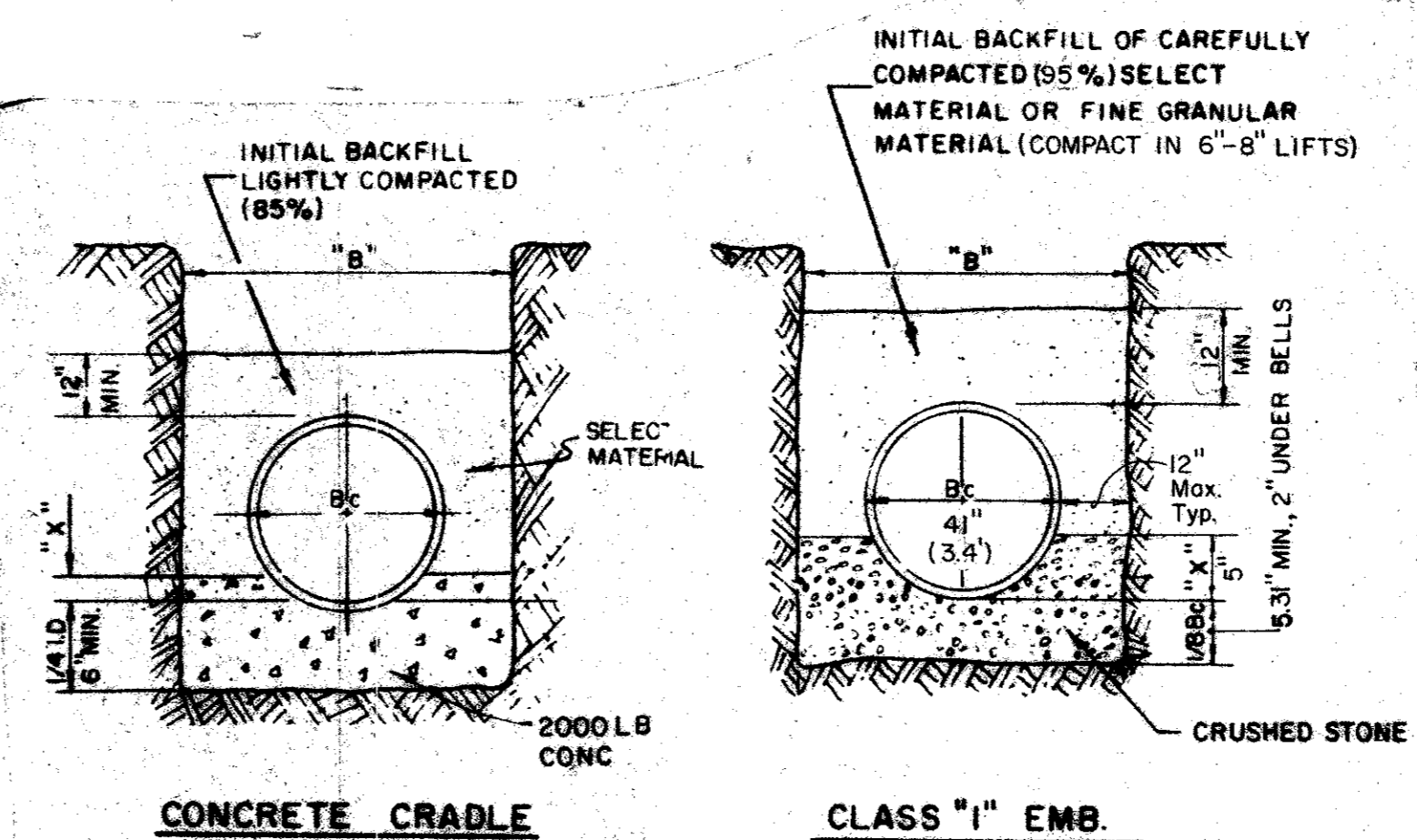
PROTECTIVE COATING APPLIED IN FIELD

BRASS INSULATING BUSHING PLACED IN THE PLANT

NOTE: IF CORPORATION COCK IS NOT PROVIDED IN FIELD, THEN STEEL PLUG SHALL BE COVERED WITH CEMENT MORTAR.

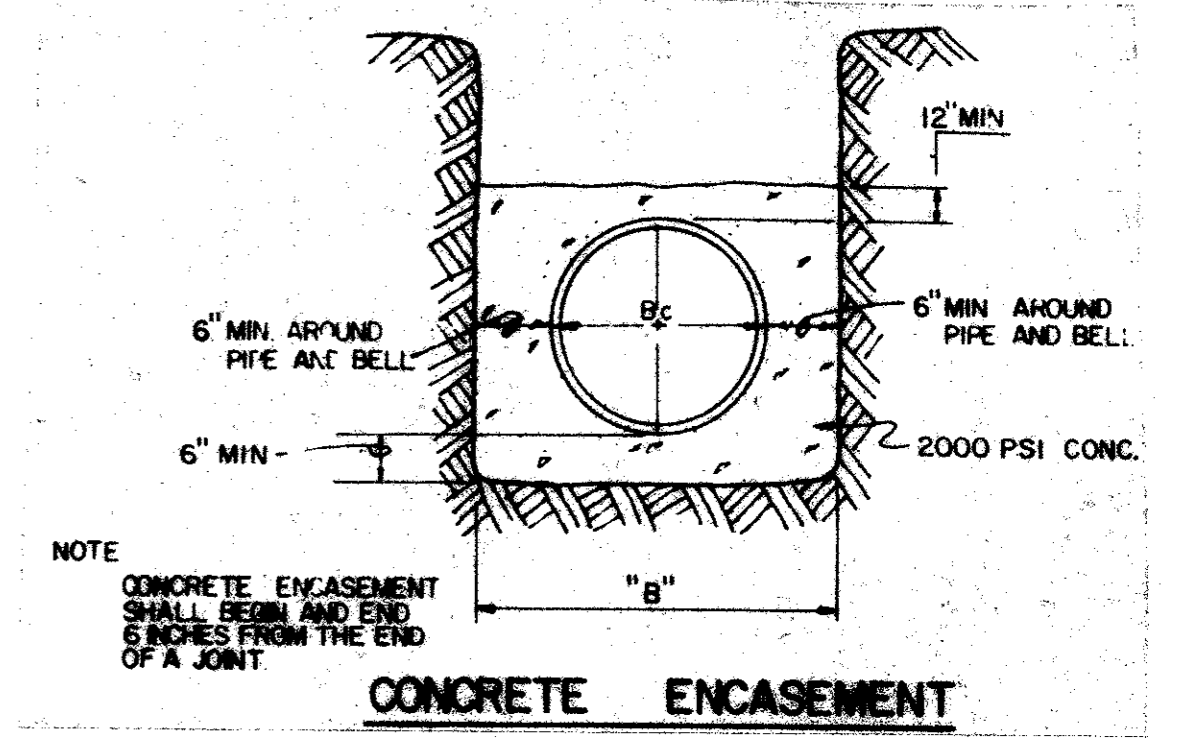
LINE IN PLANT TO COVER ALL EXPOSED STEEL

THREADED CONNECTION

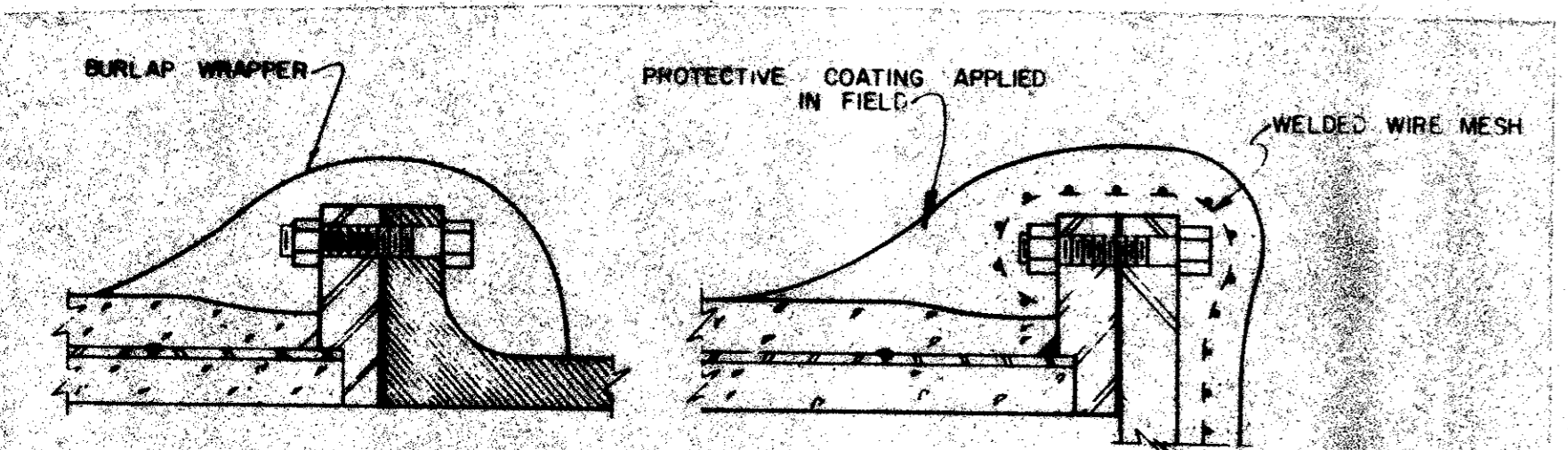


EMBEDMENT DETAILS

(Shall Be As Per Mfg. Recommendations) Not A Separate Pay Item, Include In Pay Item No. 100.1 Or 100.2.



Not A Separate Pay Item



FLANGED CONNECTIONS

REINFORCED CONCRETE CYLINDER PIPE DETAILS

For Contractors Use In Estimating Only, Not A Separate Pay Item

INSIDE DIAMETER OF PIPE	APPROX. OUTSIDE DIAMETER OF PIPE	IS A MINIMUM DEPTH	TRENCH WIDTH FOR COMPUTATION OF QUANTITIES	CONCRETE		CRUSHED STONE FOR CL" EMBEDMENT
				FOR EMBEDMENT	FOR ENCASEMENT	
REINFORCED CONCRETE CYLINDER PIPE						
14"	17.25"	2.53"	3.4"	6.91	16.07	5.16
16"	19.38"	2.84"	3.6"	7.50	17.76	5.64
18"	21.78"	3.19"	3.8"	8.11	19.52	6.16
24"	27.75"	4.06"	4.4"	9.97	24.90	9.28
27"	28.69"	Varies	52.69"	10.90	27.59	11.00
36"	38.75"	Varies	64.56"	13.69	35.66	17.10

No.	Revision	By	Date
TOWN OF ADDISON DALLAS COUNTY, TEXAS CROSTOWN WATER LINE			
EMBEDMENT DETAILS			
GINN, INC. Consulting Engineers Dallas, Texas			
Designed - MP	Drawn - GAP	Date - NOVEMBER, 1984	Job No. - 216
Approved - HWG	Checked - GF	Scale -	Sheet 16 OF 20