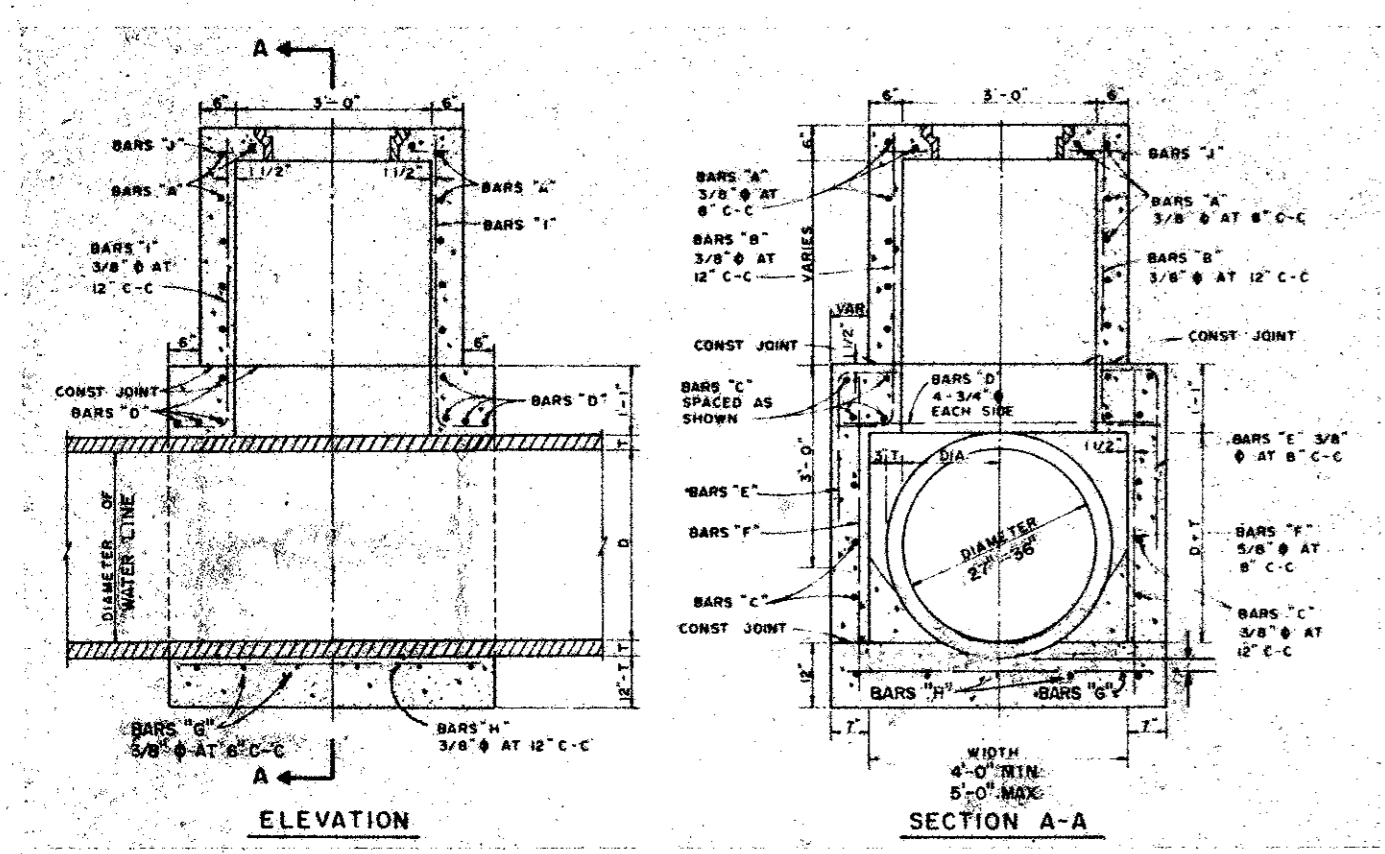
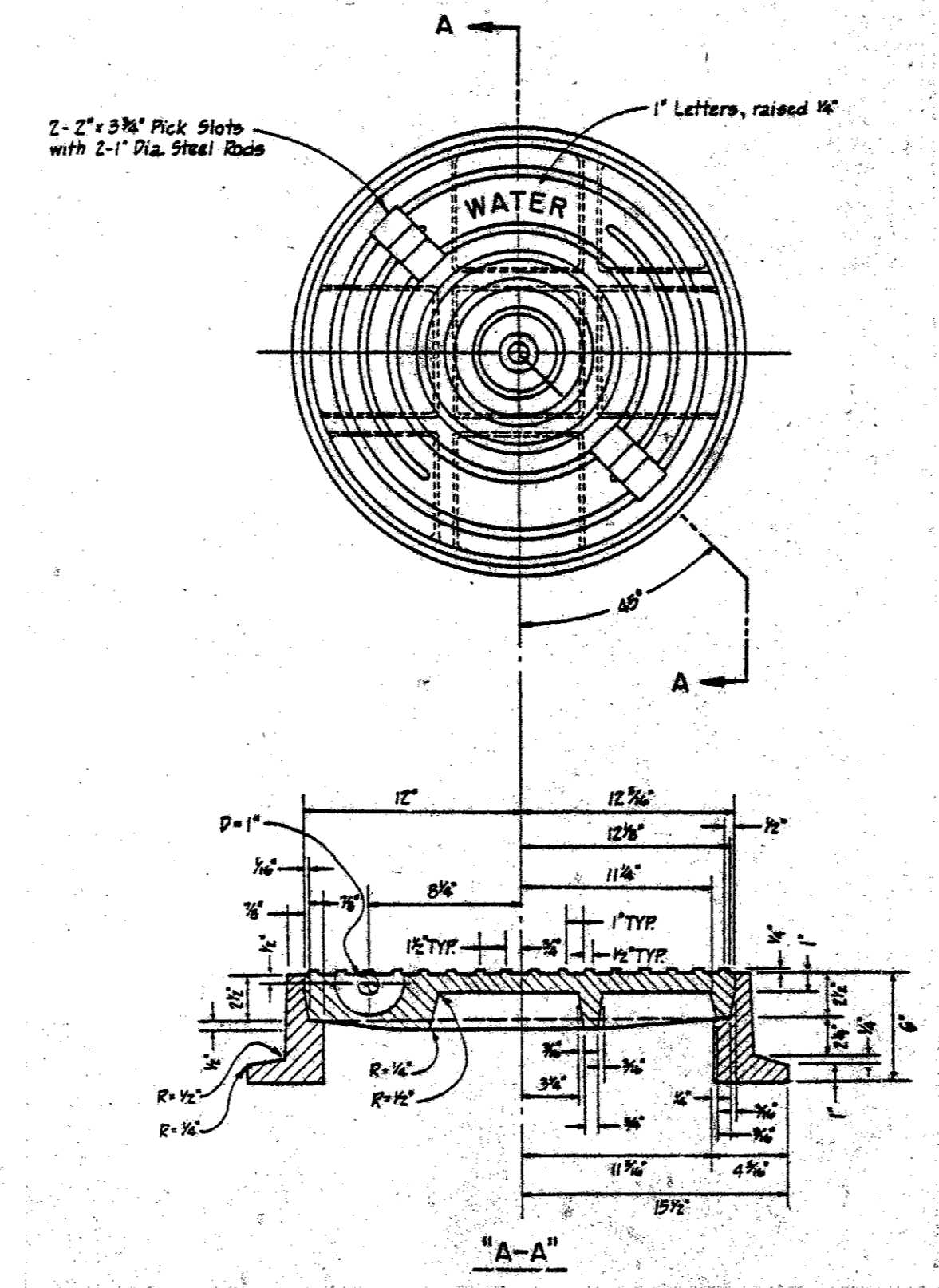
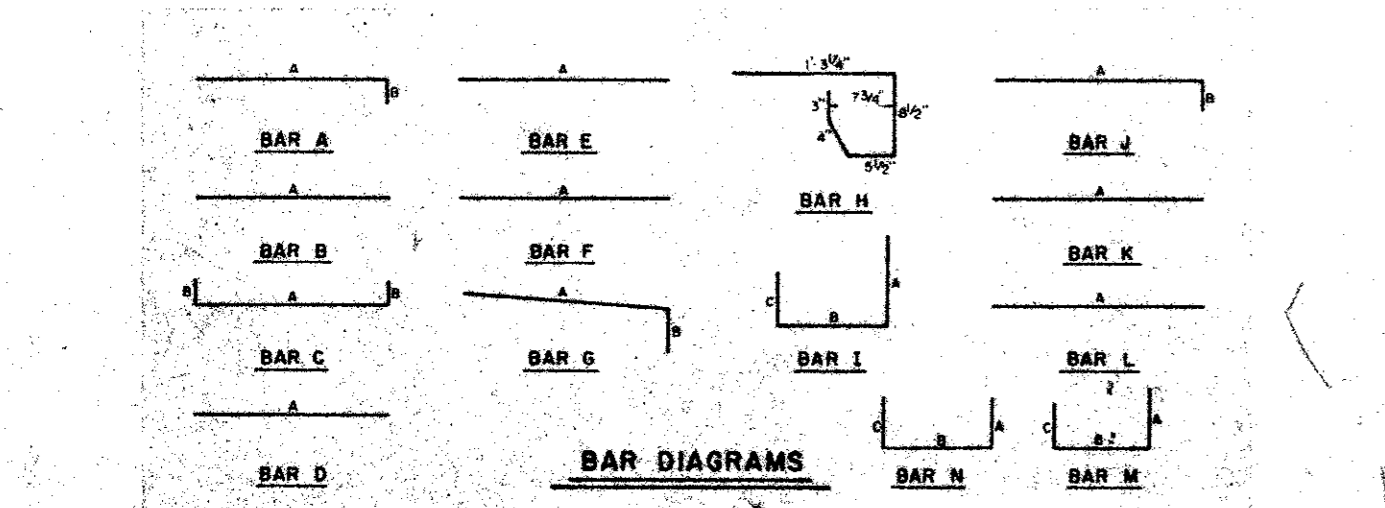


1. Notify the Utility Maintenance Department prior to construction of vault or by-pass assembly.
2. The vault can be either poured in place or prefabricated. Concrete shall be 6" thick and be 3,000 P.S.I. reinforced with #4 steel bars on 12" centers each way if the vault is poured in place. Prefabricated vaults shall be 4" thick and be 4,500 P.S.I. concrete with #4 steel bars on 8" center. These are minimum specifications.
3. The bottom of the vault shall be 6" thick concrete with #4 steel bars on 12" centers both way. A sump 4" deep and 12" in diameter shall be installed to one side in the center of the bottom slab. A 4" fill sand cushion shall be installed under the slab. If a precast vault is to be used, a layer of Ram-Nek shall be installed between the walls and bottom.
4. Contractor shall provide shop drawings prior to beginning construction.
5. The vault lid shall be a Bilco Lid, Type Q-4 single leaf design. Angle frame is 1/4" steel with strap anchors bolted to the exterior. The leaf is 1/4" steel diamond pattern plate, pivoting on torsion bars for easy operation. The minimum live load capacity is 150 lbs. per square foot. The size of the lid is 3' by 3'.
6. The lid shall be painted with 43-38 Tnemec diffused aluminum paint or approved.
7. All piping inside the vault shall be RCPP with flanged fittings.
8. The butterfly valve shall be Keystone and shall have an Underwriter's Laboratory Listing.
9. All piping inside the vault and the vault itself shall have to be approved by the Town of Addison, Utility Maintenance Department.
10. The contractor shall have the vault wall cored before installation of vault and piping. A link-seal model no. L8-400-C must be used to seal the annular space between the pipe and wall opening. Breaking of the wall with a jackhammer is not permitted.
11. There will be a concrete support under each valve.
12. Depth of vault shall be a minimum of 9' - 0".

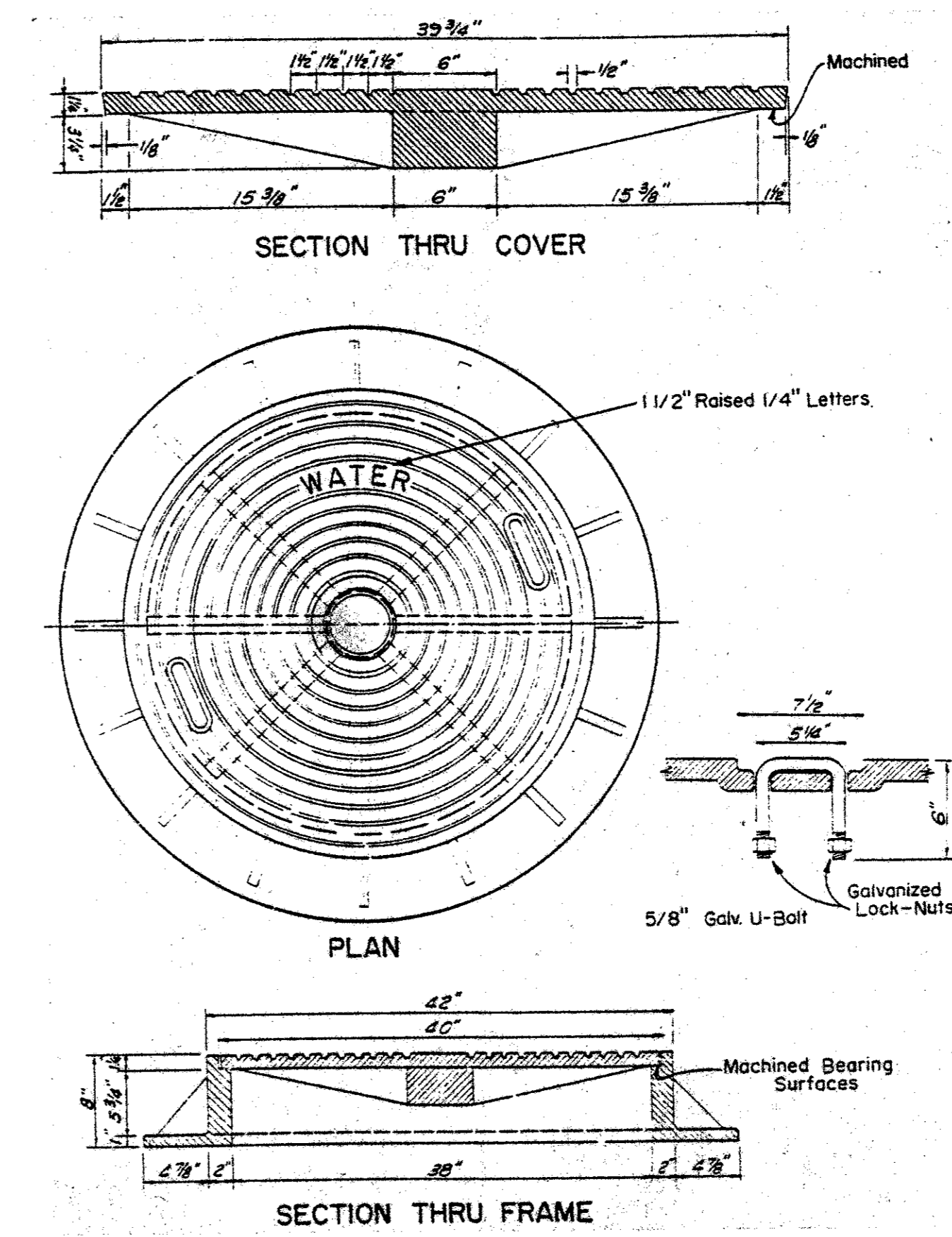
VAULT DETAILS



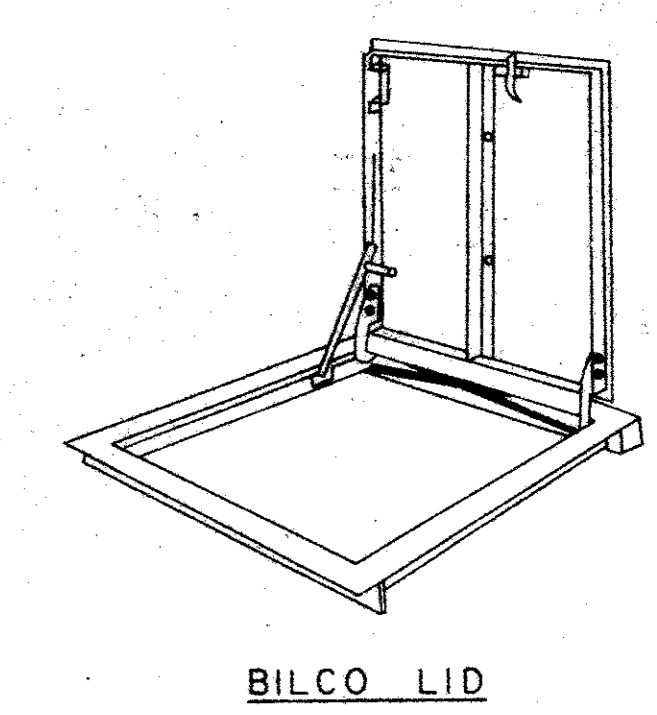
INLET	BAR	NO.	BAR	NO.	BAR	NO.
A	1	1	1	1	1	1
B	2	2	2	2	2	2
C	3	3	3	3	3	3
D	4	4	4	4	4	4
E	5	5	5	5	5	5
F	6	6	6	6	6	6
G	7	7	7	7	7	7
H	8	8	8	8	8	8
I	9	9	9	9	9	9
J	10	10	10	10	10	10
K	11	11	11	11	11	11
L	12	12	12	12	12	12
M	13	13	13	13	13	13



STANDARD 24" C.I. M.H. FRAME & COVER



STANDARD 40" MANHOLE FRAME & COVER



BILCO LID

Revised Vault Details		[GF-GAP] 1-31-85	
No.	Revision	By	Date
TOWN OF ADDISON DALLAS COUNTY, TEXAS CROSTOWN WATER LINE			
VAULT AND MANHOLE DETAILS			
GINN, INC. Consulting Engineers Dallas, Texas			
Designed - MP	Drawn - TEC	Date - NOVEMBER, 1984	Job No. - 216
Approved - HWG	Checked - G	Scale - NONE	Sheet 20 OF 20