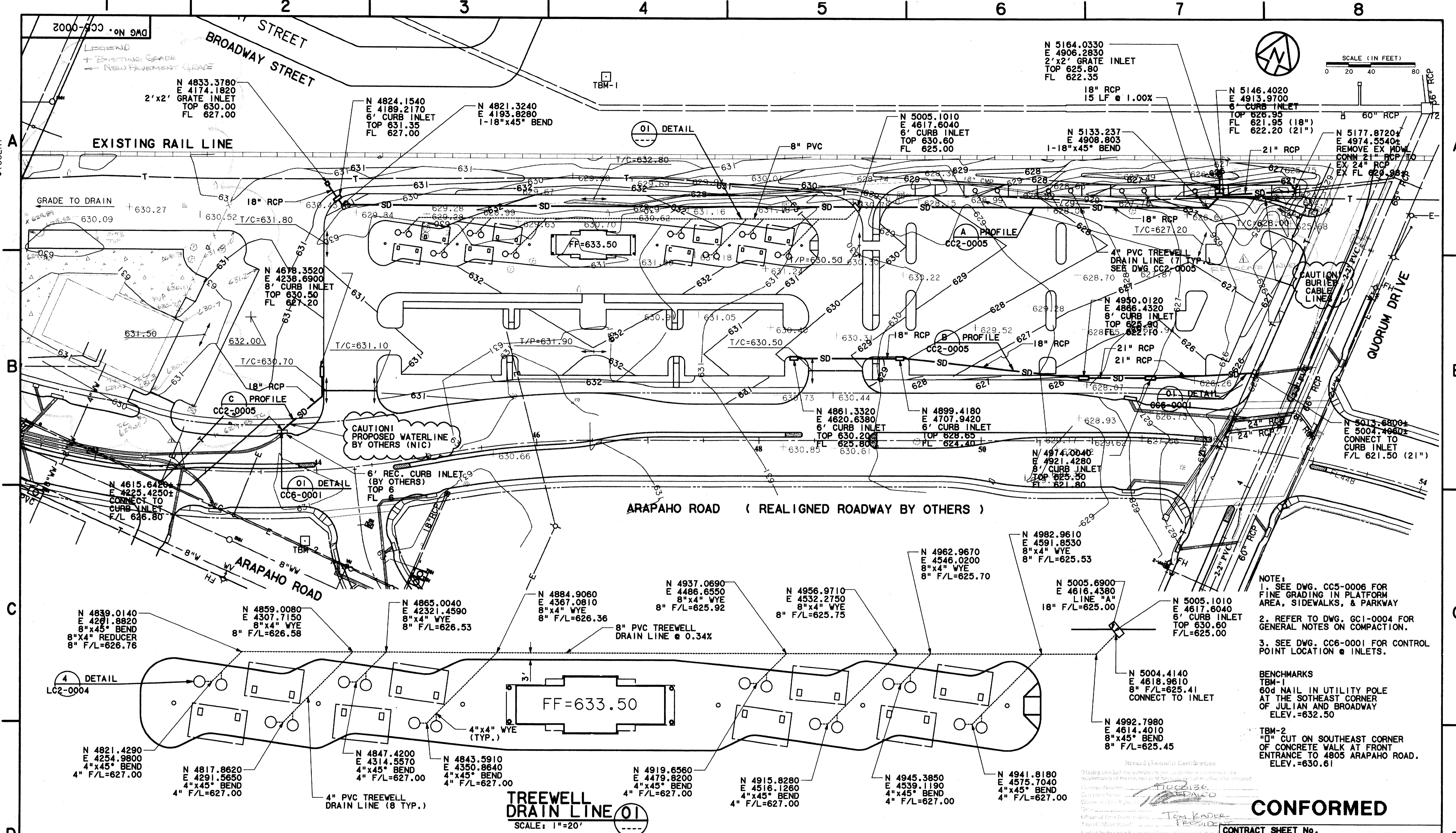


c:\cadd\94010.212\sh1\abrtccp02.0
 02 MAR 98
 DART.TBL
 \$(USER)

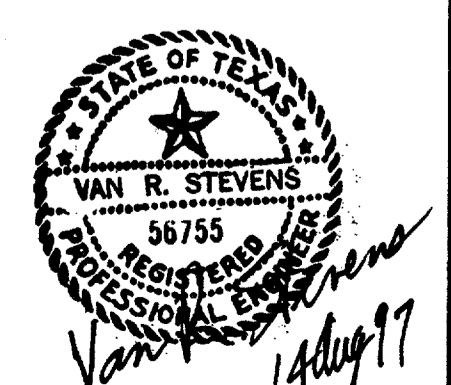


Having certified the accuracy of the information herein, I hereby certify that the same is a true and correct copy of the original as shown to me.
 [Signature]
 [Title]

CONFORMED

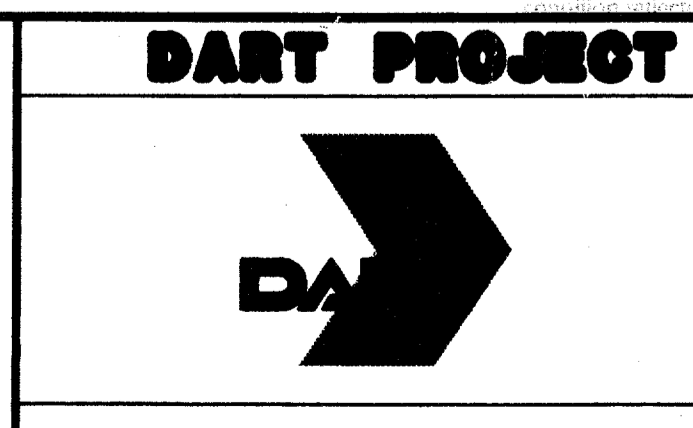
CONTRACT SHEET No. 17 OF 95

REV	DATE	DESCRIPTION	BY	ENG	CHK	APP	REV	DATE	DESCRIPTION	BY	ENG	CHK	APP
△	8/20/99	RECORD AS BUILT SURVEY	RDM				△						
△							△						
△							△						
△							△						
△							△						



WENDY LOPEZ & ASSOC.
 LOCKWOOD, ANDREWS & NEWMAN
 THE SWA GROUP
 GERARD & ASSOCIATES
 ZAXON

WLA
 WENDY LOPEZ & ASSOCIATES, INC.
 ENGINEERING • SURVEYING • CONSTRUCTION SERVICES
 100 MARKET CENTER BLVD. - SUITE 500
 DALLAS, TEXAS 75201
 (214) 748-7777



SCALE
 1"=40'
DRAWN
 D. KRUCIAK
DESIGNED
 P. ZHAO
CHECKED
 V. STEVENS
IN CHARGE
 V. STEVENS
DATE
 AUG. 14, 1997

ADDISON TRANSIT CENTER DRAINAGE AND GRADING PLAN

CONTRACT C-97000136 DWG No. CC5-0002 REV 01