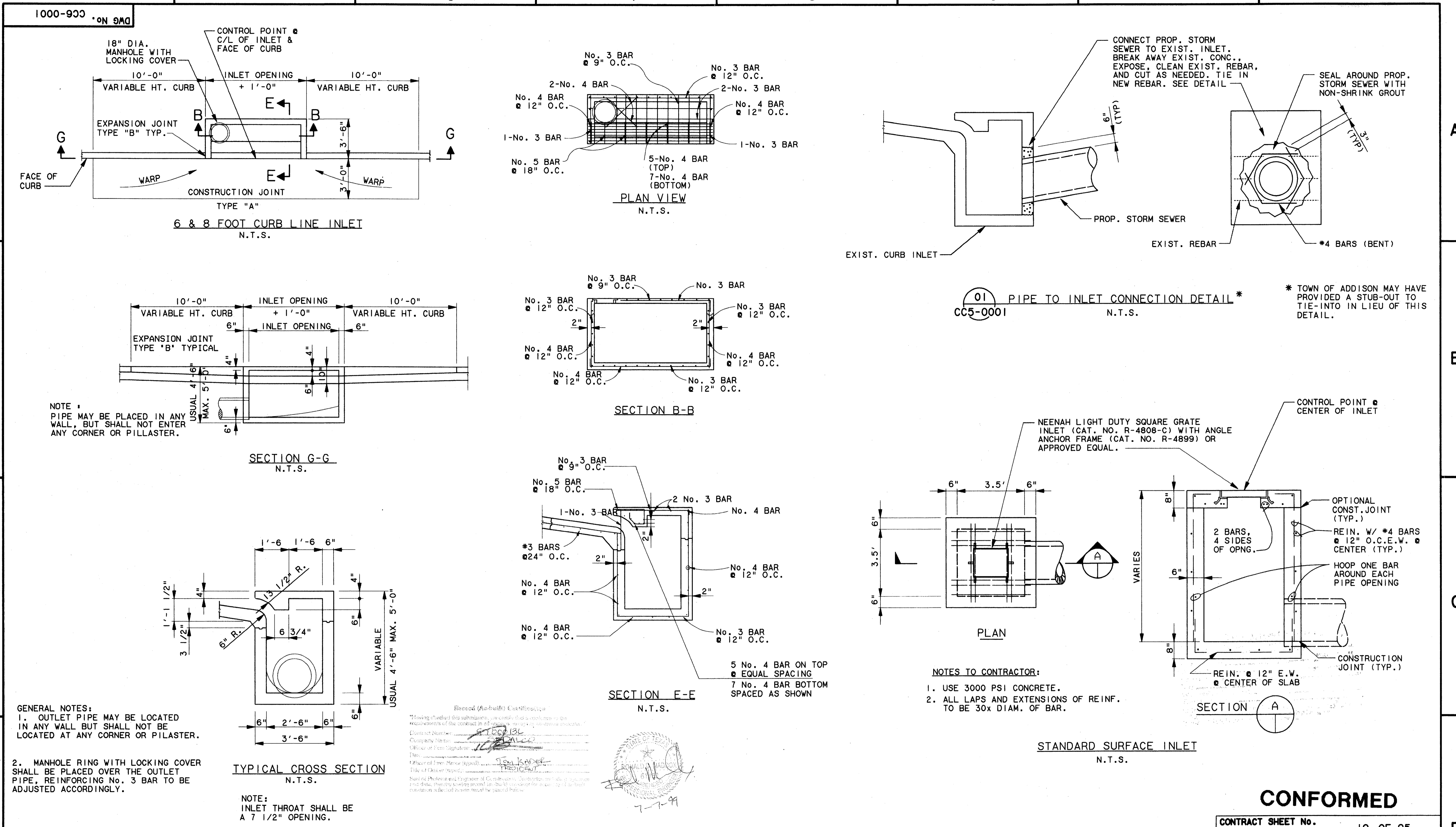
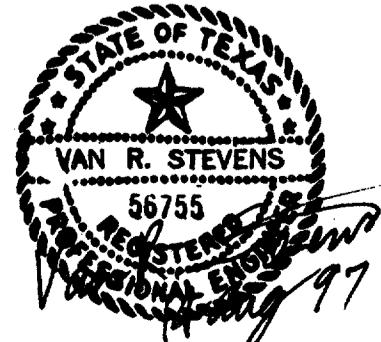




e:\94010.2\12\sh\def-1.001
13 AUG 97
DART.TBL
JAMES LANDRY



										WENDY LOPEZ & ASSOC. LOCKWOOD, ANDREWS & NEWNAM THE SWA GROUP GERARD & ASSOCIATES ZAXON										 WENDY LOPEZ & ASSOCIATES, INC. ENGINEERING • SURVEYING • CONSTRUCTION SERVICES 800 MARKET CENTER BLVD • SUITE 300 DALLAS, TEXAS 75201 (214) 748-7777										DART PROJECT 										SCALE N.T.S. DRAWN D. KRUCIAK DESIGNED P. ZHAO CHECKED V. STEVENS IN CHARGE V. STEVENS DATE 14 AUG. 1997										CONFORMED CONTRACT SHEET No. 19 OF 95 ADDISON TRANSIT CENTER INLET DETAILS										CONTRACT C-97000136 DWG No. CC6-0001 REV 0									
REV	DATE	DESCRIPTION	BY	ENG	CHK	APP	REV	DATE	DESCRIPTION	BY	ENG	CHK	APP	REV	DATE	DESCRIPTION	BY	ENG	CHK	APP	REV	DATE	DESCRIPTION	BY	ENG	CHK	APP																																										